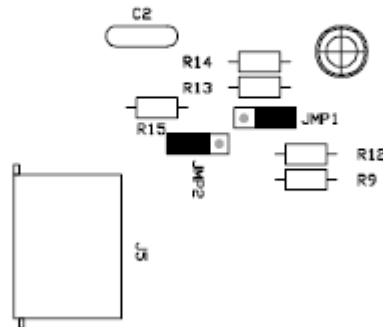


RADIO (TX-SEND) = Low systems 2.5 volt threshold (most common system used) 5 volts open circuit



- 1) I found all three of the Ameritron ARB-704 RCA plugs had to be used, as there is no DIN cable made for this application (yet).
- 2) Because of no DIN, power must also be used.
- 3) Previous comments have said ALC not necessary. My config would not work without it.
- 4) The RCA ALC of the ARB to the Yaesu. Tip/ALC, shield-ground to E. The RCA of the AMP of the ARB to RY of the Yaesu, the shield/ground again to it's E. The Radio RCA to Flex TX1.
- 5) The diagram to the left is the internal jumper config of the ARB that worked for me.
- 6) In the FLEX Menu/Transmit, I changed RCS TX1 to '1' (not sure if necessary), but in TX Band Settings check the RCA TX1 for all bands you want the Yaesu to key up on.
- 7) Works like a champ.