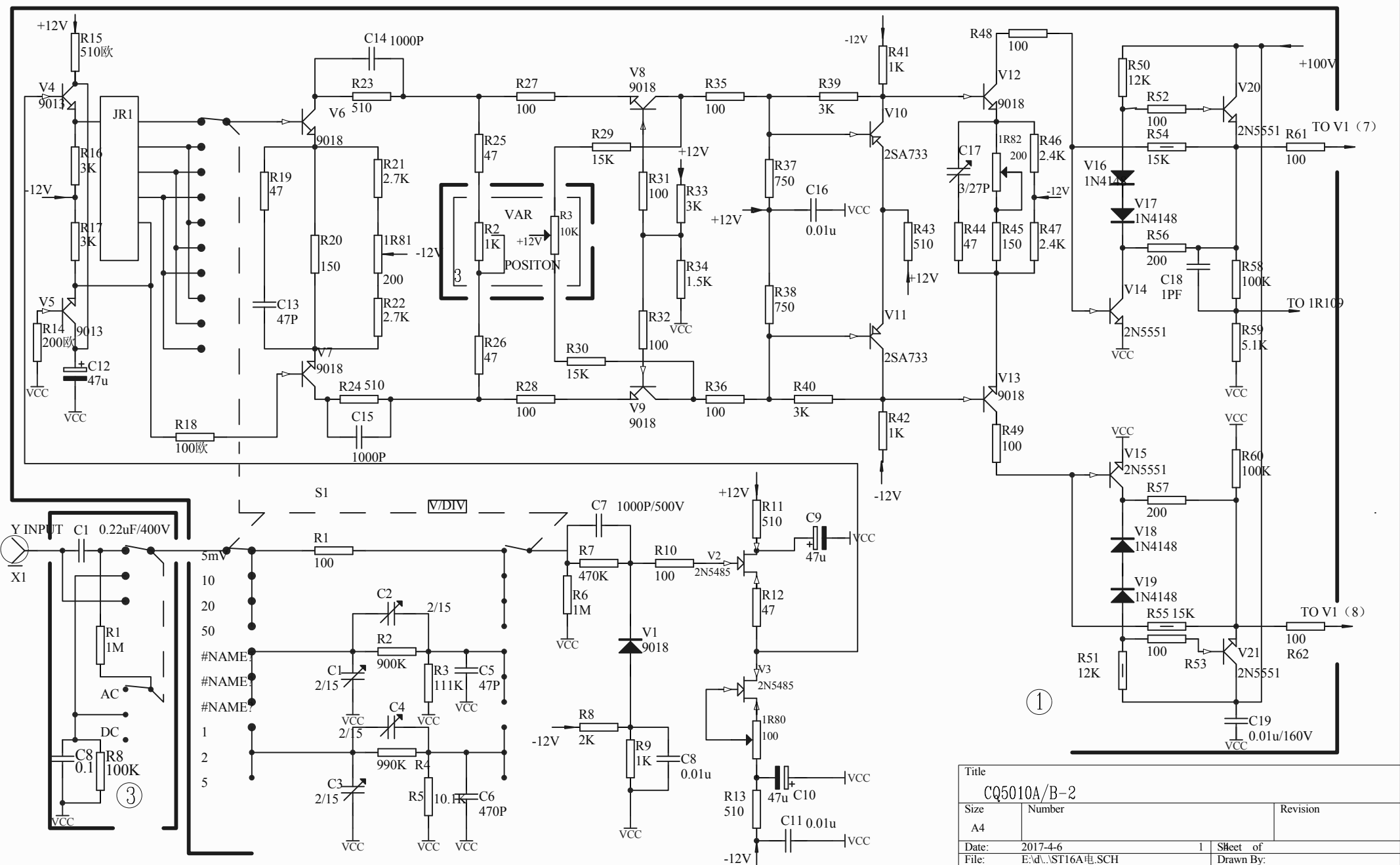
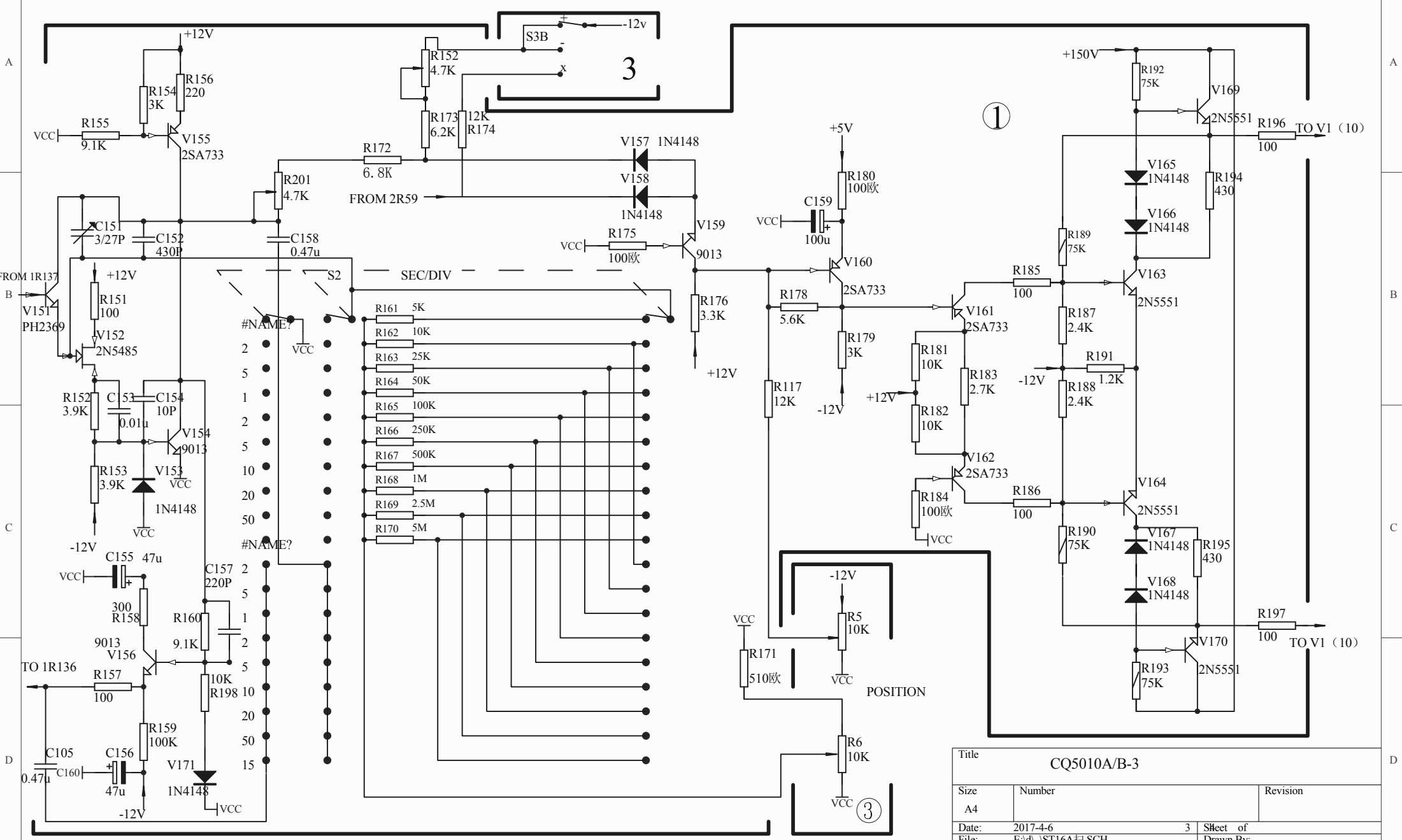


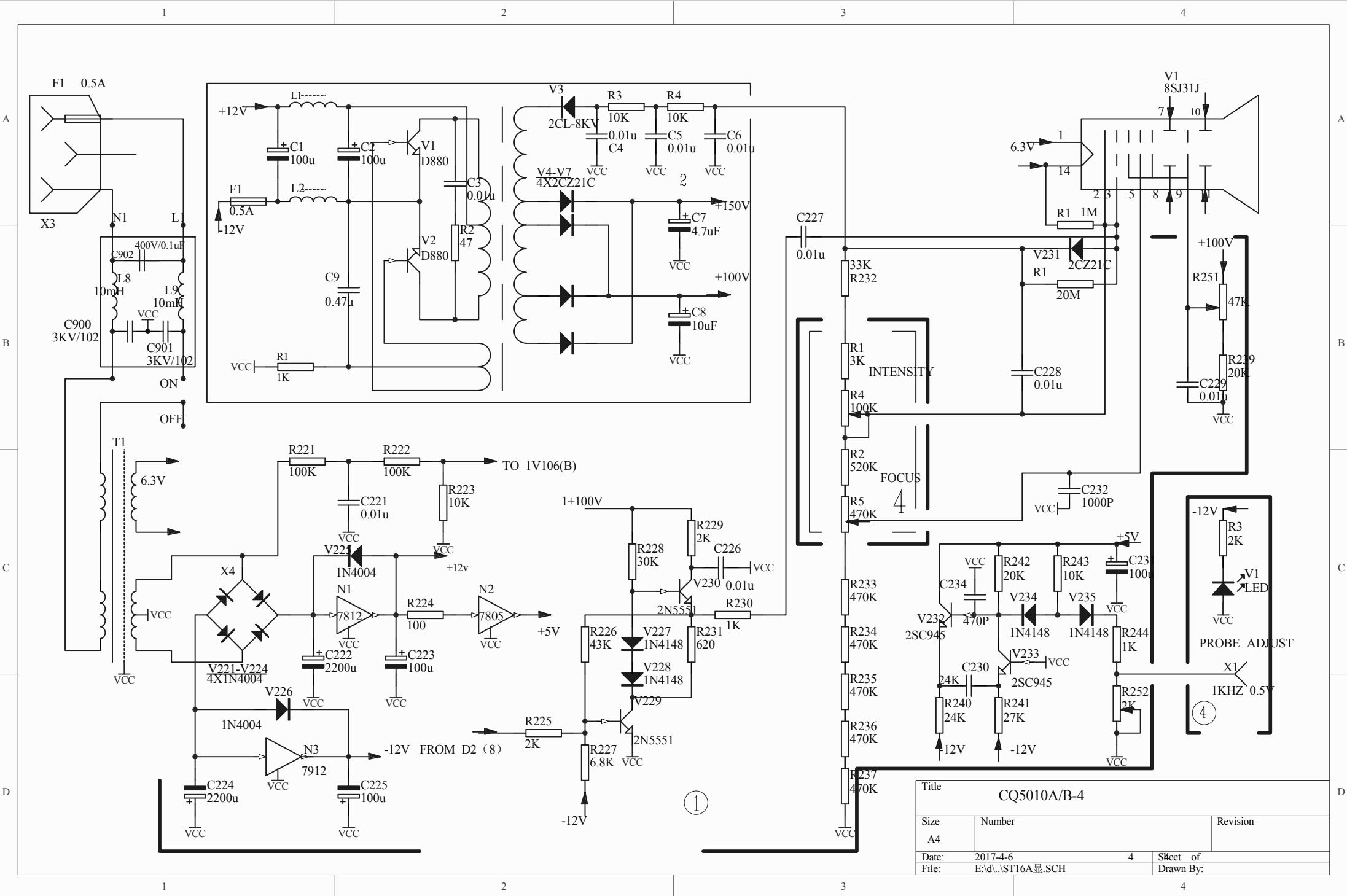
Title CQ5010A/B-1		
Size A4	Number	Revision
Date: 2017-4-6	2	Sheet of
File: E:\d\ST16A触.SCH		Drawn By:



Title		
CQ5010A/B-2		
Size	Number	Revision
A4		
Date:	2017-4-6	1 Sheet of
File:	E:\d\ST16A电.SCH	Drawn By:



Title			
CQ5010A/B-3			
Size	Number	Revision	
A4			
Date:	2017-4-6	3	Sheet of
File:	E:\d\ST16A\1.SCH		Drawn By:



Title			
CQ5010A/B-4			
Size	Number	Revision	
A4			
Date:	2017-4-6	4	Sheet of
File:	E:\d\ST16A*.SCH	Drawn By:	