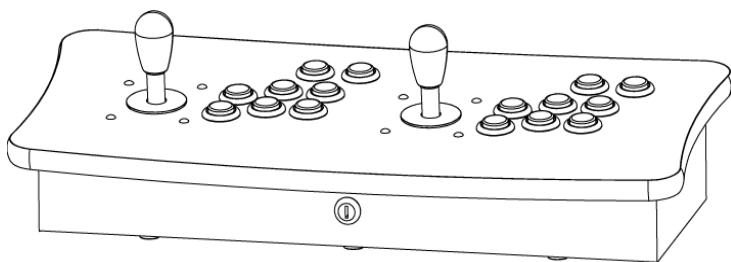


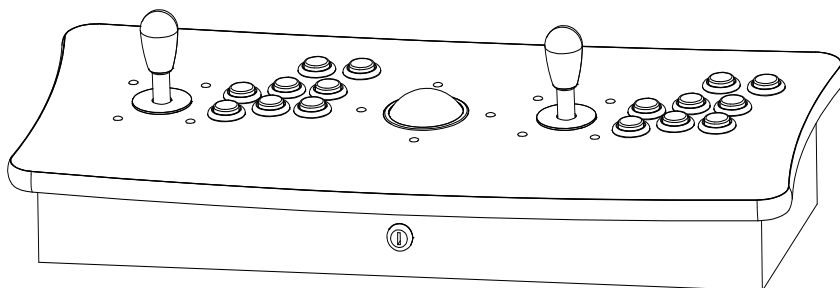
TWO PLAYER USB FIGHT STICK

104265 – 104281 (WITH TRACKBALL)

Instruction Manual



104265



104281



MICRO CENTER
computers & electronics

TABLE OF CONTENTS

Features.....	
USB Encoder Instruction.....	
Introduction of XM-10.....	
XM-10 Pinout.....	
XM-10 Wiring Connection.....	
Default Control Mapping.....	
Use of Trackball (976233 only).....	

Features

- Featuring 100% arcade quality buttons, joystick and trackball (976233 only)
- USB/PS2 trackball compatibility (976233 only)
- Best choice for emulation of arcade games
- Compatible with multiple operating systems
- Plug and play
- Supports Mode button for direction control switching between X/Y axes and Digital-pad
- Lead-free process

Introduction of XM-10

XM-10 is cross platform multi-functional USB encoder. It provides zero latency gaming experiences for joysticks and push buttons controls.

COMPATIBLE SYSTEM
Windows 10/8/7/VISTA/XP/2000/98
LINUX/UBUNTU
MAC
ANDROID
RASPBERRY PI
PLAYSTATION 3

XM-10 Pinout

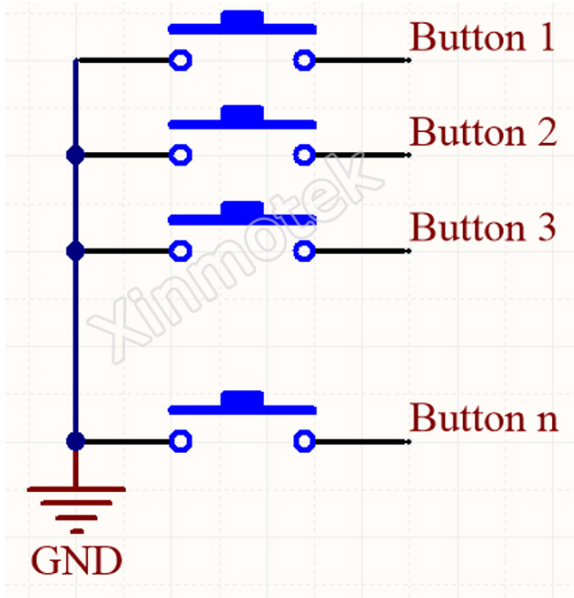
XM-10 Dual Players Controller

P2		USB		P1			
GND	22	GND	21	VCC	1	2	Button 1/□
Button 1/□	20	Button9/Select	19	Button11/L3	3	4	Button 2/X
Button 2/X	18	Button10/Start	17	Button12/R3	5	6	Button 3/O
Button 3/O	16	Button11/L3	15	Button13	7	8	Button 4/△
Button 4/△	14	Button12/R3	13	Button14	9	10	Button 5/L1
Button 5/L1	12	Button13	11	Button15	11	12	Button 6/R1
Button 6/R1	10	UP	9	UP	13	14	Button 7/L2
Button 7/L2	8	DOWN	7	DOWN	15	16	Button 8/R2
Button 8/R2	6	LEFT	5	LEFT	17	18	Button9/Select
Mode	4	RIGHT	3	RIGHT	19	20	Button10/Start
GND	2	GND	1	GND	21	22	GND

PC/PS3

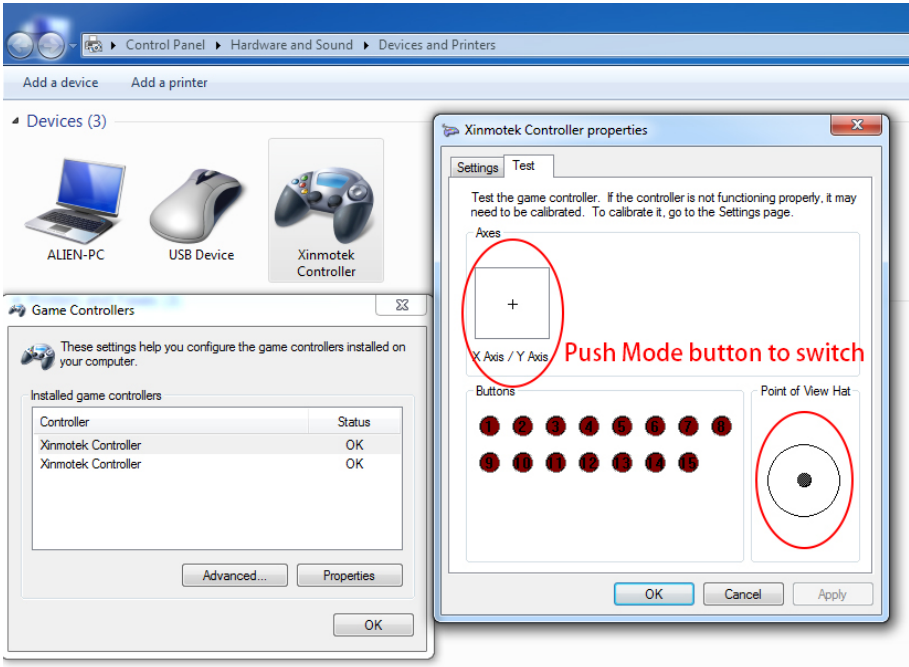
XM-10 Wiring Connection

About the wiring connection, all types of our products are the same. Every push button has two pins, one is must be wired to the GND(Ground), the other one is wired to the signal pin of the board.

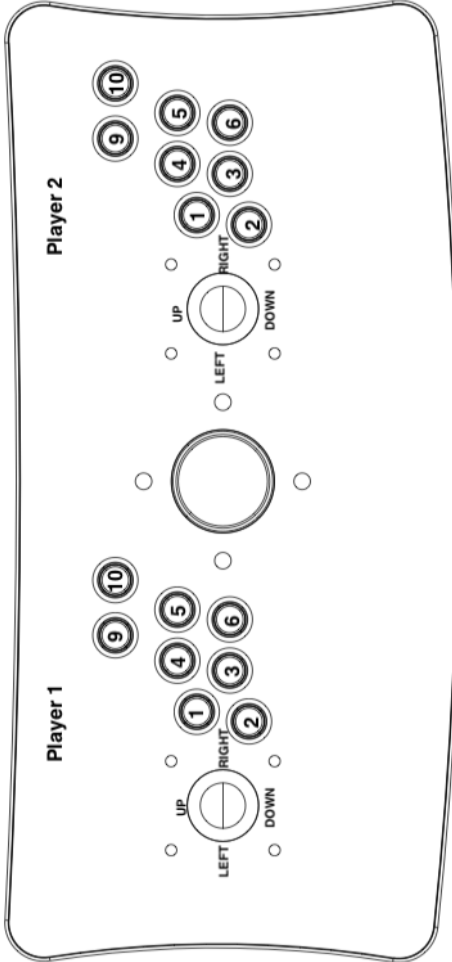


Mode Button

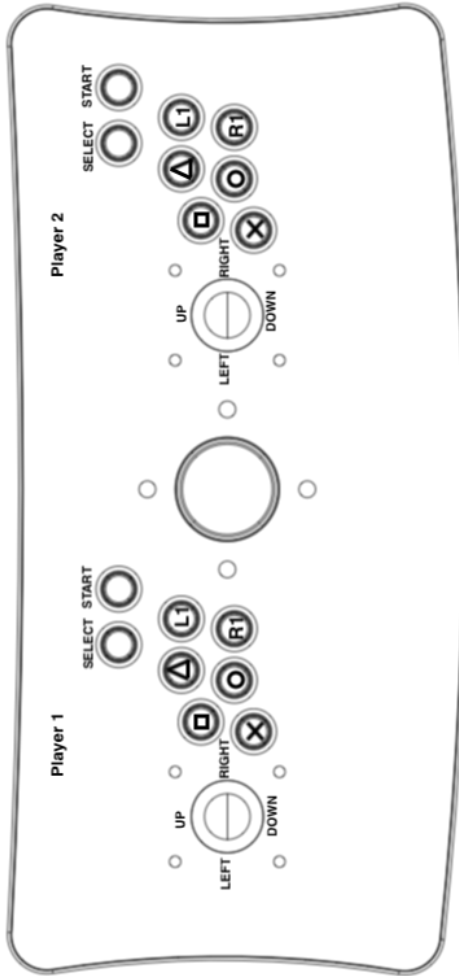
*Press the mode button to switch between X/Y axes and Digital-pad



Default Console Mapping PC/MAC/ RASPBERRY PI



PS3



Use of Trackball (976233 only)

The trackball is intended to be used with emulation environment on PC/Linux/Mac/Raspberry PI and PlayStation.

Trackball sensitivity adjustment:

PC

Go to **Control Panel -> Mouse -> Pointer Options**

Adjust the slider of the **Select Pointer Speed** tab to your preferred setting

LINUX

Go to **System Settings -> Mouse & Touchpad**

Adjust the slider of the **Pointer speed** tab to your preferred setting

MAC

Go to **System Preferences** -> **Mouse** -> **Point & Click**

Adjust the slider **Tracking Speed** tab to your preferred setting