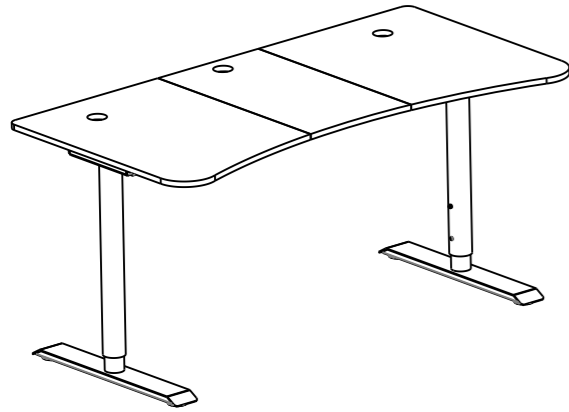




Item No. : HT811

Ergonomic Height Adjustable Gaming Desk Installation guide



Technical Data:

Column Stage	2 stage
Max Loading Capacity	176LBS (80KG)
Height Range	28"-32"(717-820mm)

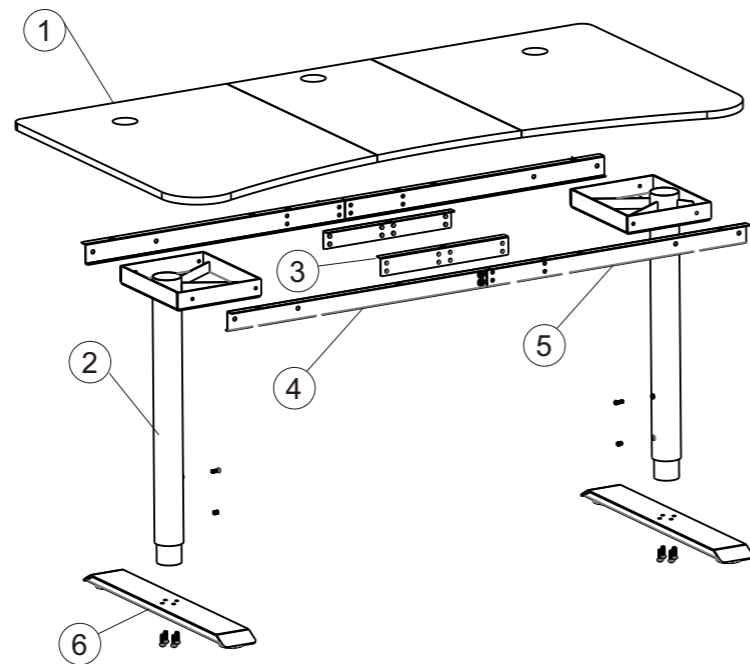
Accessory List

Attention: The drawings below are for reference only, which might be slightly different from the actual product. Any missing tools or installation issues, please contact customer service.

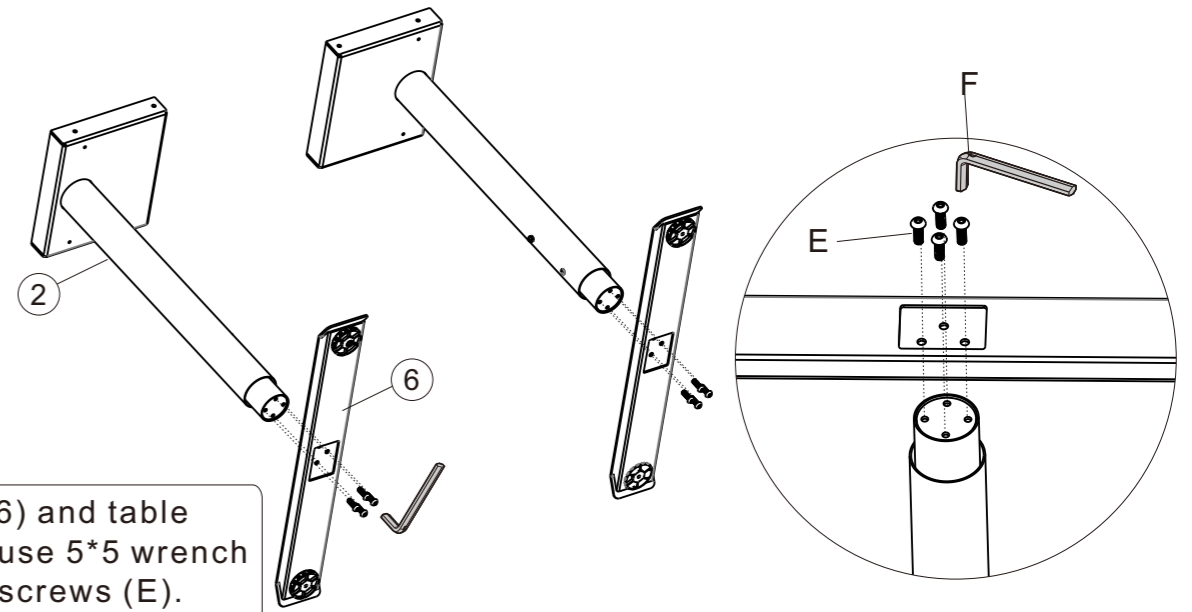
No.	Image	Spec	Qty
A		M6*16mm Hexagon socket button head screws	16
B		M6 washer	16
C		M8*16mm Hexagon socket button head screws	8
D		M8 washer	8
E		M8*25mm Hexagon socket button head screws	8
F		Hexagonal Wrench 5*5mm	1
G		Hexagonal Wrench 4*4mm	1
H		Cross recessed pan head tapping screws ST4.8*16	14
I		M5 washer	14

Component List:

No.	Part	Qty
①		1
②		2
③		2
④		2
⑤		2
⑥		2



Step 1

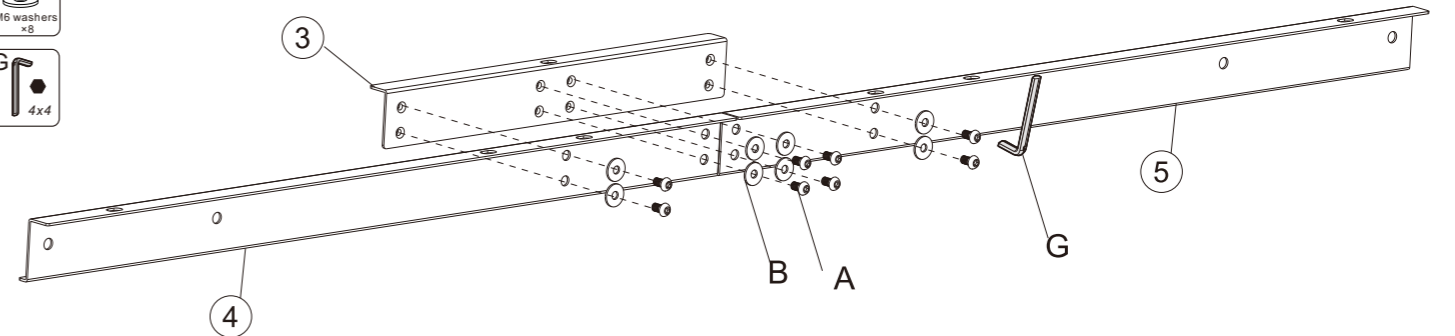


Install table feet(6) and table legs(2) together, use 5*5 wrench (F) to tighten the screws (E).

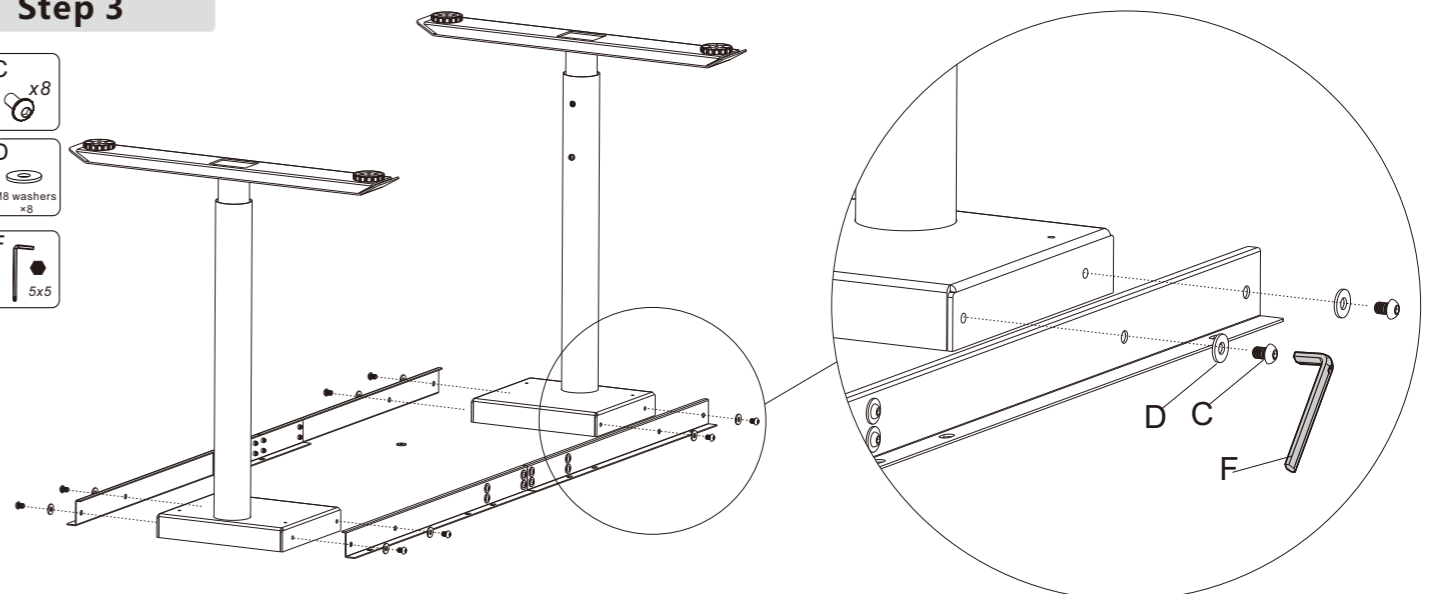
Step 2



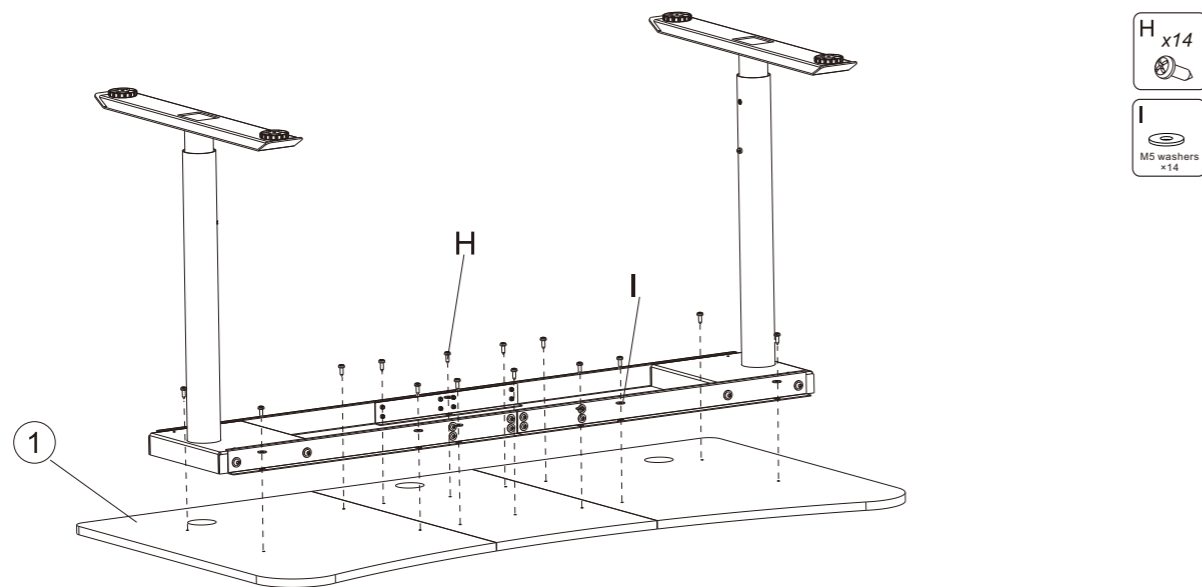
Install another crossbeam in the same way



Step 3

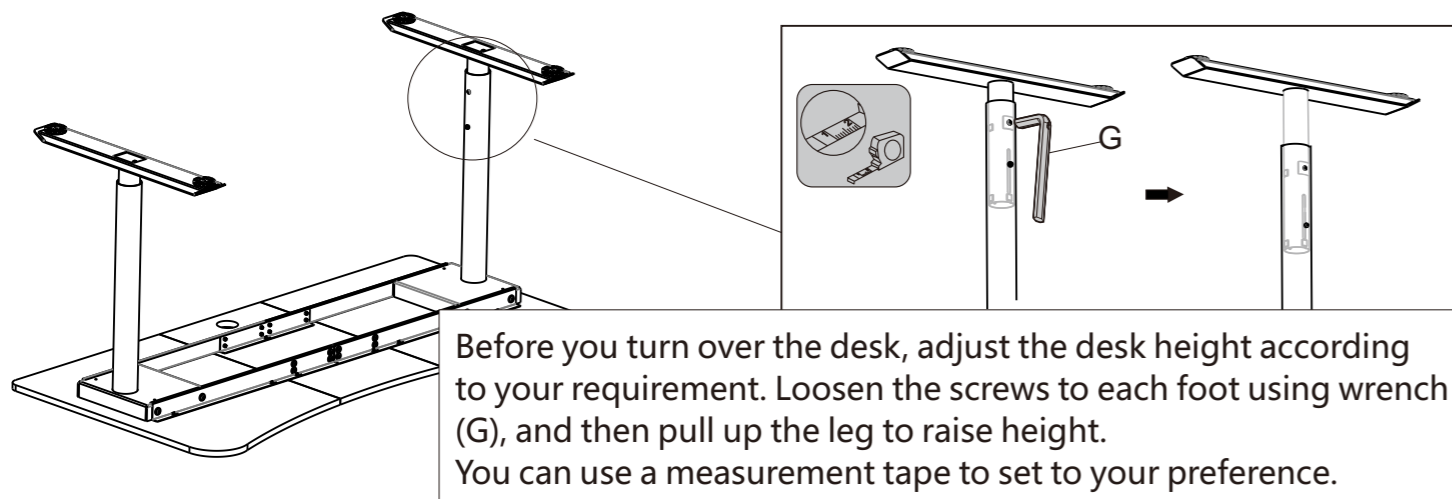


Step 4

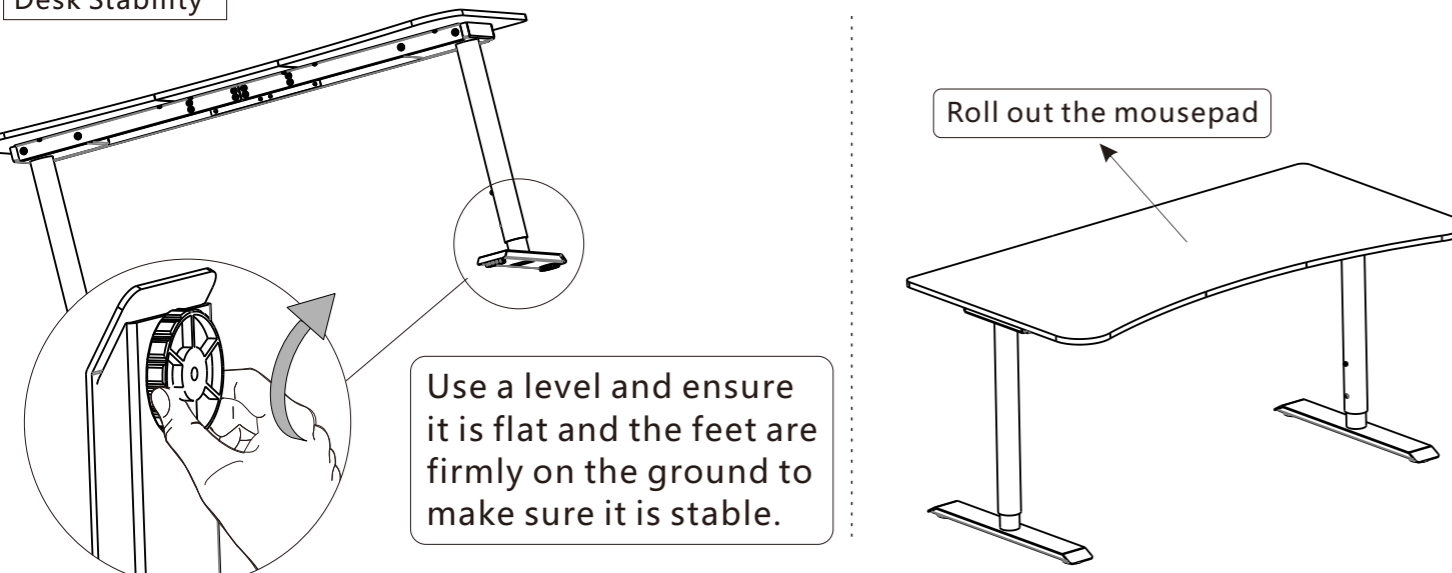


Instructions for Usage

Height Adjustment



Desk Stability



Caution

This product contains small items that could be a choking hazard if swallowed. Keep these items away from young children.

- Be familiar with all functions and program settings of the product before first use.
- Children are forbidden to play on the product because of unforeseen action when playing, so any dangerous consequences caused by this improper action will not happen.
- This appliance can be used by children aged from 8 years and above and persons with reduced physical, sensory or mental capabilities or lack of experience and knowledge if they have been given supervision or instruction concerning use of the appliance in a safe way and understand the hazards involved. Children shall not play with the appliance.
- Cleaning and user maintenance shall not be made by children without supervision.
- Please make sure there is no hazard sources in your operating environment. e.g., do not litter the tools around. Always be careful to treat the packaging materials in order to avoid any possible danger, e.g. plastic bag may lead to choking hazard to children.
- Keep the original package of the equipment if necessary in case of the future use in transportation.



Ergonomic Height Adjustable Gaming Desk 1-Year Limited Warranty

IPSG warrants that this product is free from any defects in materials or workmanship within one year of purchase date. If such a defect is discovered within this warranty's limitations, IPSG agrees at its sole discretion to repair this product or to replace it with the same item or one of equal value, free of charge to the original purchaser. Please return the defective product to the store where it was purchased.

EXCLUSIONS:

This warranty does not apply to this product if the product has been modified, tampered with, subjected to abnormal conditions, installed incorrectly, misused or transferred to another consumer other than the original purchaser.

IPSG requires professional installation for all display mounts and does not accept damages or liability due to improper installation or installation within and to structures that cannot support the mount and/or display weight.

Product Registration

Please register this product at www.ipsgproducts.com

Click the REGISTRATION link button in the side menu. Enter your name, address and contact information. Continue to Step 2 and select your product type as LCD/TV/Display Accessories. In Step 3 choose your model name and number in the drop down menu and place of purchase to complete your registration. Your personal contact information will remain private and will not be sold or given to another company.

If you have questions, please contact us through the side bar menu link on the www.ipsgproducts.com web page. Enter all of your product and personal information in the appropriate fields so we can best respond to your inquiry.

INSTALLATION WARNING

CAUTION: Many desks and components are heavy. Use two people to lift the desk, and if necessary, a third to attach the hardware. The installer of these products must verify that the surface, will safely support the combined weight of all attached equipment and hardware. Improper installation and/or exceeding recommended desk weight can result in damage to the desk and may cause injury or death. This product is intended to hold no more than the maximum weight advised on the packaging. If you do not understand these directions, or have any doubts about the safe installation of your desk, please contact a professional installer to install it for you. IPSG cannot be held liable for damage, injury or death caused by incorrect installation, incorrect assembly, or incorrect use.