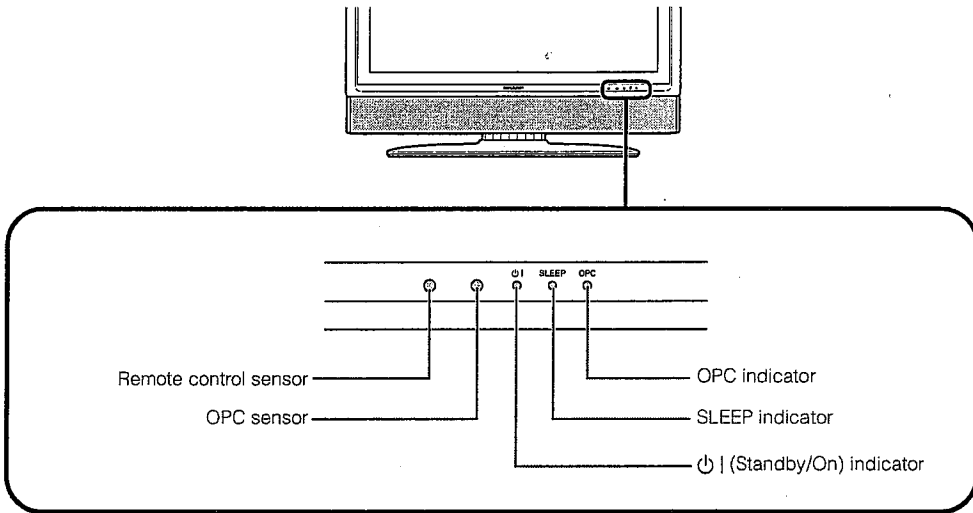
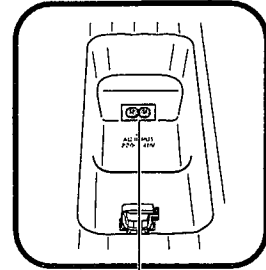
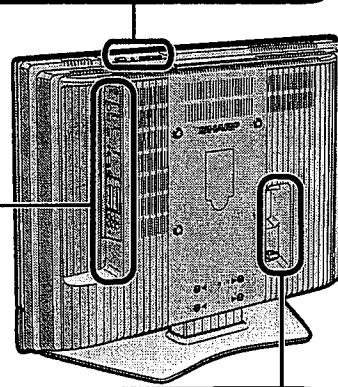
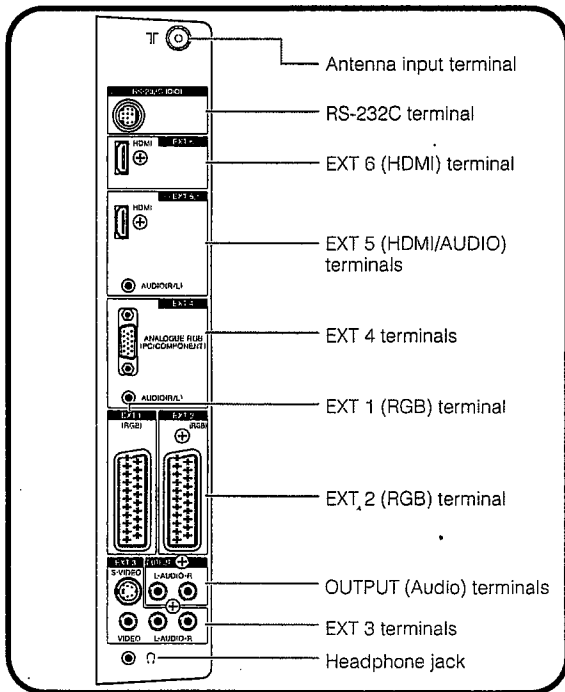
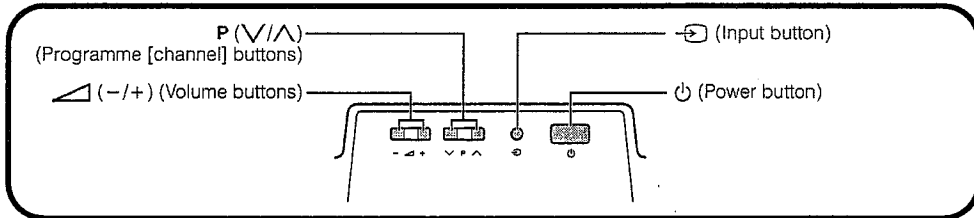


Quick guide

TV (Front view)



TV (Rear view)



AC INPUT terminal

Appendix

PC compatibility chart

PC/MAC	Resolution	Horizontal Frequency	Vertical Frequency	VESA Standard	
PC	VGA	640 x 400	31.5 kHz	60 Hz	
			37.9 kHz	85 Hz	○
		720 x 400	31.5 kHz	60 Hz	
			37.9 kHz	85 Hz	○
			31.5 kHz	60 Hz	○
			37.9 kHz	72 Hz	○
	640 x 480	37.5 kHz	75 Hz	○	
		43.3 kHz	85 Hz	○	
		31.5 kHz	60 Hz		
	WVGA	848 x 480	31.5 kHz	60 Hz	
	SVGA	800 x 600	35.1 kHz	56 Hz	○
			37.9 kHz	60 Hz	○
			48.1 kHz	72 Hz	○
			46.9 kHz	75 Hz	○
			53.7 kHz	85 Hz	○
XGA	1024 x 768	48.4 kHz	60 Hz	○	
		56.5 kHz	70 Hz	○	
		60.0 kHz	75 Hz	○	
		68.7 kHz	85 Hz	○	
WXGA	1280 x 720	45.0 kHz	60 Hz		
	1280 x 768	48.1 kHz	60 Hz		
	1366 x 768	48.4 kHz	60 Hz		
SXGA	1280 x 1024	64.0 kHz	60 Hz	○	
MAC	13" VGA	640 x 480	34.9 kHz	67 Hz	
	16" SVGA	832 x 624	49.7 kHz	75 Hz	
	19" XGA	1024 x 768	60.2 kHz	75 Hz	

Apple and Macintosh are registered trademarks of Apple Computer, Inc.
 DDC is a registered trademark of Video Electronics Standards Association.
 Power Management is a registered trademark of Sun Microsystems, Inc.
 VGA and XGA are registered trademarks of International Business Machines Co., Inc.

RS-232C port specifications

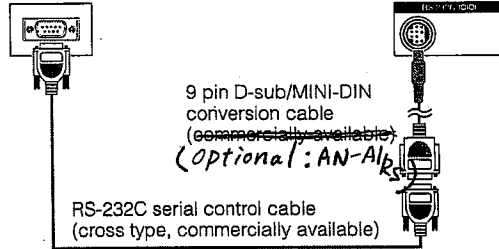
PC Control of the System

• When a program is set, the display can be controlled from the PC using the RS-232C terminal. The input signal (PC/video) can be selected, the volume can be adjusted and various other adjustments and settings can be made, enabling automatic programmed playing.

• Attach an RS-232C cable cross-type (commercially available) to a Din/D-sub RS-232C (commercially available) for the connections. *optional: AN-AIRS*

NOTE

• This operation system should be used by a person who is accustomed to using PCs.



Communication conditions

Set the RS-232C communications settings on the PC to match the display's communications conditions. The display's communications settings are as follows:

Baud rate:	9,600 bps
Data length:	8 bits
Parity bit:	None
Stop bit:	1 bit
Flow control:	None

Appendix

Communication procedure

Send the control commands from the PC via the RS-232C connector.

The Display operates according to the received command and sends a response message to the PC. Do not send multiple commands at the same time. Wait until the PC receives the OK response before sending the next command.

Command format

Eight ASCII codes + CR

C1	C2	C3	C4	P1	P2	P3	P4	↵
----	----	----	----	----	----	----	----	---

Command 4-digits Parameter 4-digits Return code

Command 4-digits: Command. The text of four characters.
Parameter 4-digits: Parameter 0-9, x, blank, ?

Parameter

Input the parameter values, aligning left, and fill with blank(s) for the remainder. (Be sure that four values are input for the parameter.)

When the input parameter is not within an adjustable range, "ERR" returns. (Refer to "Response code format".)

0			
0	0	0	9
-	3	0	
1	0	0	
0	0	5	5

When "?" is input for some commands, the present setting value responds.

?			
?	?	?	?

Response code format

Normal response

O	K	↵
---	---	---

Return code (0DH)

Problem response (communication error or incorrect command)

E	R	R	↵
---	---	---	---

Return code (0DH)

Commands

CONTROL ITEM	COMMAND	PARAMETER	CONTROL CONTENTS
POWER SETTING	P O W R 0	- - - -	POWER OFF
	P O W R 1	- - - -	POWER ON
	P O W R ? ? ? ?	- - - -	0 to 1
INPUT SELECTION A	I T G D	- - - -	INPUT SWITCHING (TOGGLE)
	I T V D	- - - -	TV (CHANNEL FIXED)
	I A V D *	- - - -	EXT1-8 (1-8)
	I A V D ? ? ? ?	- - - -	1 to 8, ERR (TURNER)
CHANNEL	D C C H *	- - - -	TV DIRECT CHANNEL (1-99)
	D C C H ? ? ? ?	- - - -	1 to 99
	C H U P	- - - -	CHANNEL UP
	C H D W	- - - -	CHANNEL DOWN
INPUT SELECTION B	I N P 1 0	- - - -	EXT1 (Y/C)
	I N P 1 1	- - - -	EXT1 (CVBS)
	I N P 1 2	- - - -	EXT1 (RGB)
	I N P 1 ? ? ? ?	- - - -	0 to 2
	I N P 2 0	- - - -	EXT2 (Y/C)
	I N P 2 1	- - - -	EXT2 (CVBS)
	I N P 2 2	- - - -	EXT2 (RGB)
	I N P 2 ? ? ? ?	- - - -	0 to 2
	I N P 3 0	- - - -	EXT3 (S-VIDEO)
	I N P 3 1	- - - -	EXT3 (VIDEO)
	I N P 3 ? ? ? ?	- - - -	0 to 1
	I N P 4 0	- - - -	EXT4 (RGB)
	I N P 4 1	- - - -	EXT4 (COMPONENT)
	I N P 4 ? ? ? ?	- - - -	0 to 1
I N P 5 0	- - - -	EXT5 (HDMI)	
I N P 6 0	- - - -	EXT6 (HDMI)	
AV MODE SELECTION	A V M D 0	- - - -	AV MODE SELECTION
	A V M D 1	- - - -	STANDARD
	A V M D 2	- - - -	SOFT
	A V M D 3	- - - -	ECO
	A V M D 4	- - - -	USER
	A V M D 5	- - - -	DYNAMIC
VOLUME	A V M D ? ? ? ?	- - - -	1 to 5
	V O L M * * *	- - - -	VOLUME (0-60)
POSITION	V O L M ? ? ? ?	- - - -	0 to 60
	H P O S * * *	- - - -	H-POSITION AV (-10- +10)PC (0 to 180)
	H P O S ? ? ? ?	- - - -	AV (-10- +10)PC (0 to 180)
	V P O S * * *	- - - -	V-POSITION AV (-20- +20)PC (0 to 100)
	V P O S ? ? ? ?	- - - -	AV (-20- +20)PC (0 to 100)
	C L C K * * *	- - - -	CLOCK (0-180)
	C L C K ? ? ? ?	- - - -	0 to 180
	P H S E * * *	- - - -	PHASE (0-40)
	P H S E ? ? ? ?	- - - -	0 to 40
	WIDE MODE	W I D E 0	- - - -
W I D E 1		- - - -	NORMAL (AV)
W I D E 2		- - - -	ZOOM (AV)
W I D E 3		- - - -	PANORAMA (AV)
W I D E 4		- - - -	FULL (AV)
W I D E 5		- - - -	CINEMA 16:9 (AV)
W I D E 6		- - - -	CINEMA 14:9 (AV)
W I D E 7		- - - -	NORMAL (PC)
W I D E 8		- - - -	CINEMA (PC)
W I D E 9		- - - -	FULL (PC)
W I D E 1 0		- - - -	DOT BY DOT (PC)
MUTE	W I D E ? ? ? ?	- - - -	1 to 10
	M U T E 0	- - - -	MUTE (Toggle)
	M U T E 1	- - - -	MUTE
	M U T E 2	- - - -	MUTE OFF
SURROUND	M U T E ? ? ? ?	- - - -	1 to 2
	A C D V 0	- - - -	SURROUND (Toggle)
	A C D V 1	- - - -	SURROUND ON
	A C D V 2	- - - -	SURROUND OFF
AUDIO CHANGE	A C D V ? ? ? ?	- - - -	1 to 2
	A C H A	- - - -	SOUND SELECT (ST/Bilingual/Mono)
	O F T M 0	- - - -	OFF
	O F T M 1	- - - -	30 m
	O F T M 2	- - - -	1 h 00 m
	O F T M 3	- - - -	1 h 30 m
	O F T M 4	- - - -	2 h 00 m
SLEEP TIMER	O F T M 5	- - - -	2 h 30 m
	O F T M ? ? ? ?	- - - -	0 to 150
	T E X T 0	- - - -	TEXT OFF
	T E X T 1	- - - -	TEXT CHANGE
TEXT	T E X T ? ? ? ?	- - - -	0 to 1
	D C P G * * *	- - - -	DIRECT PAGE JUMP (100-899)
	D C P G ? ? ? ?	- - - -	

NOTE

- If an underbar (_) appears in the parameter column, enter a space.
- If an asterisk (*) appears, enter a value in the range indicated in brackets under CONTROL CONTENTS.