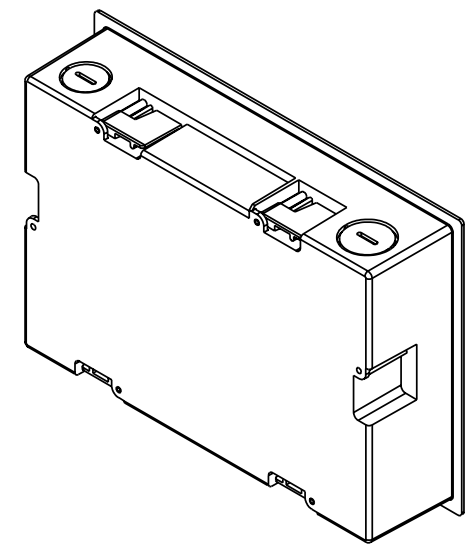
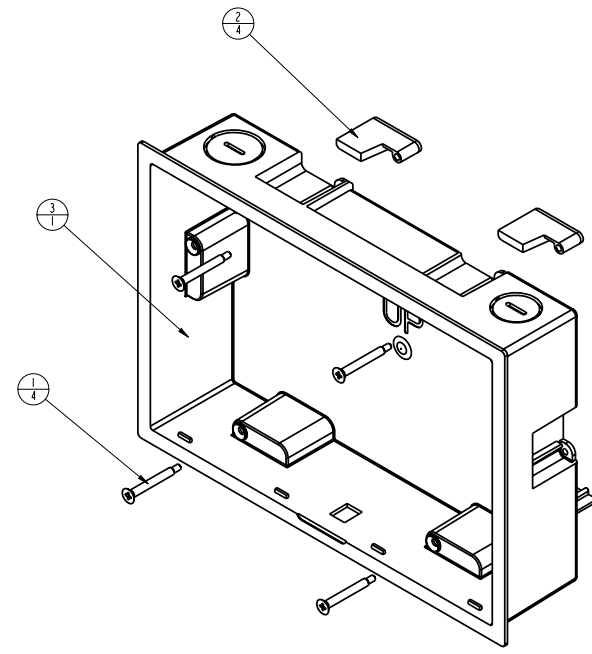


NOTES: UNLESS OTHERWISE SPECIFIED

MA5966-05 I

REVISIONS				
REV	ECN NUMBER	DESCRIPTION	DATE	APPROVED
A 1	ECNXXX	PROTOTYPE RELEASE	09-25-07	X



REFERENCE VIEW
NO SCALE

REFERENCE VIEW
NO SCALE

ITEM NO	QTY	UOM	PART NUMBER	DESCRIPTION	NOTES
3	1	EA	60-5966-24	WALLMOUNT BACK BOX	
2	4	EA	60-5966-25	INSTALLATION CLAMP	
1	4		6X1D25_FH_SHMETAL	#6 X 1 1/4" SELF DRILLING FLAT HEAD SHEETMETAL SCREW	

MECHANICAL COMPONENTS (FOR DESIGN REFERENCE ONLY)

NOTICE: This drawing is the property of AMX LLC. All information contained herein shall be confidential except to the extent the information had been previously established. This drawings may not be copied, reproduced, or used as the basis for manufacture or sale without written permission.

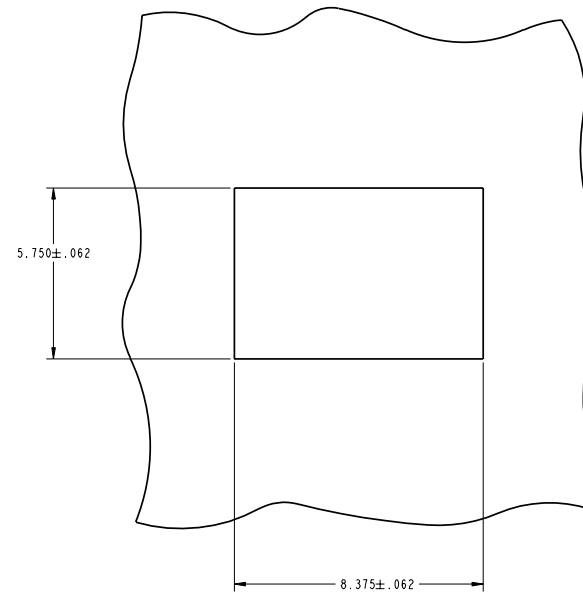
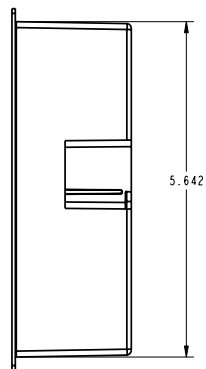
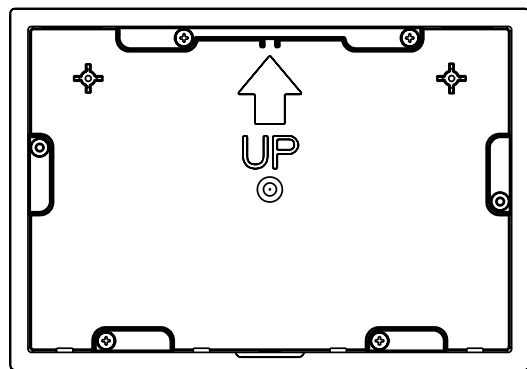
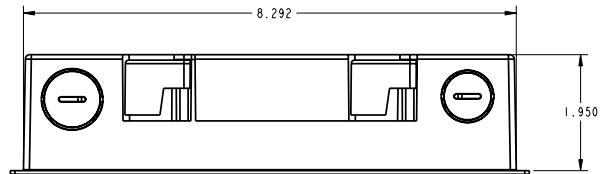
UNLESS OTHERWISE SPECIFIED
 TOLERANCE ON DECIMAL DIMENSIONS: .X : ±0.1
 .XX : ±0.02
 .XXX : ±0.010
 ANGLES: ±1.0
 SURFACE FLATNESS .003 TIR PER LINEAR INCH
 ALL DIMENSIONS IN INCHES.
 DO NOT SCALE DRAWING



BACK BOX ASSY	
SIZE D	DRIVING NUMBER MA5966-05
SCALE 1:1	REV A 1

UNLESS OTHERWISE STATED, THE ARTICLE SPECIFIED SHALL BE RoHS COMPLIANT PER EU DIRECTIVE 2002/95/EC

REF. PRO/E ASSEM FILE : MA5966-05
 REF. PRO/E ASSEM REV. : A



WALL CUTOUT

NOTICE: This drawing is the property of AMX LLC. All information contained herein this is not generally known shall be confidential except to the extent the information had been previously established. This drawings may not be copied, reproduced, or used as the basis for manufacture or sale without written permission.



AMX LLC
3500 RESEARCH DRIVE
RICHARDSON, TX 75082

BACK BOX ASSY

SIZE D	DRAWING NUMBER MA5966-05	REV A 1
SCALE 1:1	SHEET 2 OF 2	