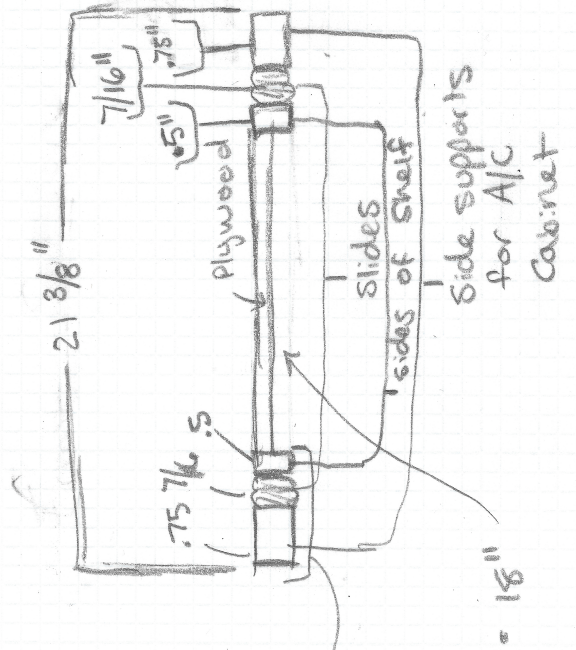


Cross Section



$$\begin{array}{r} 1.6875 \\ \times 2 \\ \hline 3.375 \end{array}$$

$$21.375 - 3.375 = 18"$$