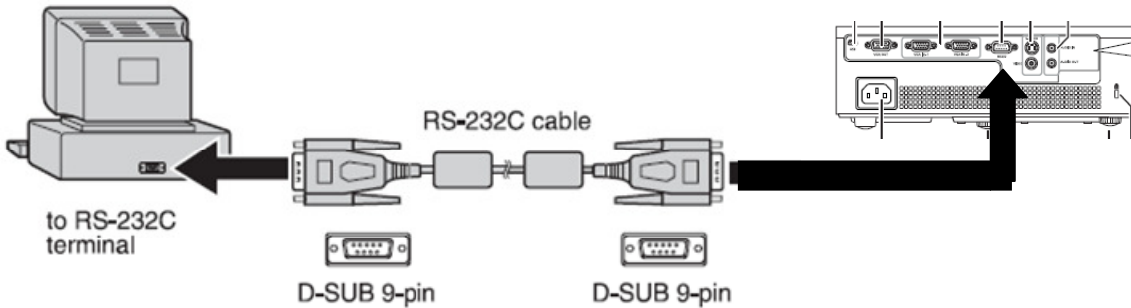


● **RS-232 Connection and Command Code**

RS232 Connection

-Connection:

The illustration of connection between PC and Projector is shown below.



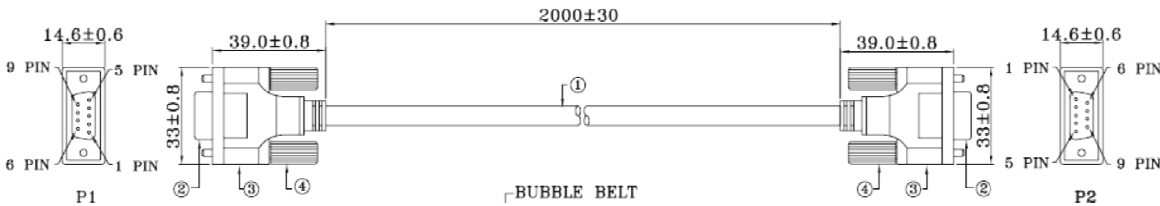
<CAUTION>

- ◆ Make sure that your computer and projector are turned off before connection.
- ◆ Power on the computer first, and then plug the power cord of the projector. (It may cause Com port incorrect function, if you do not follow this instruction)
- ◆ Adapters may be necessary depending on the PC connected to this projector. Please contact with your dealer for further details.

-Hardware connection

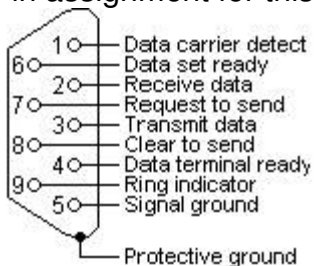
<Download cable 1>

Standard RS232 Download cable (SPEC as below), D-sub 9-pin Female for Both terminals



1	BLACK	1
2	BROWN	3
3	RED	2
4	ORANGE	4
5	YELLOW	5
6	GREEN	6
7	BLUE	8
8	PURPLE	7
9	GRAY	9
CASE	DRAIN WIRE	CASE

<Pin assignment for this two end>



Pin	Definition	Pin	Definition
1	NC	2	RX
3	TX	4	NC
5	GND	6	NC
7	RTSZ	8	CTSZ
9	NC		

Interface Settings

RS-232 protocol	
Baud Rate	9600 bps
Data Length	8 bit
Parity Check	None
Stop Bit	1 bit
Flow Control	None

RS232 Command Code

General command type (Projector 'receives' commands)			
No	Code (character)	Function feature	Note
1	OKOKOKOKOK	Power On	support
2	* 0 IR 001	Power On	support
3	* 0 IR 002	Power Off	support
4	* 0 IR 004	Keystone	support
5	* 0 IR 006	Mute	support
6	* 0 IR 007	Freeze	support
7	* 0 IR 008	Menu	support
8	* 0 IR 009	Up	support
9	* 0 IR 010	Down	support
10	* 0 IR 011	Right	support
11	* 0 IR 012	Left	support
12	* 0 IR 013	Enter	Unsupport
13	* 0 IR 014	Re-Sync	support
14	* 0 IR 015	Source Analog RGB for D-sub	support
15	* 0 IR 016	Source Digital RGB	Unsupport
16	* 0 IR 017	Source PbPr for D-sub	support
17	* 0 IR 018	Source S-Video	support
18	* 0 IR 019	Source Composite Video	support
19	* 0 IR 020	Source Component Video	support (only for H6510BD)
20	* 0 IR 021	Aspect ratio 16:9	support
21	* 0 IR 022	Aspect ratio 4:3	support
22	* 0 IR 023	Volume +	support
23	* 0 IR 024	Volume -	support
24	* 0 IR 025	Brightness	support
25	* 0 IR 026	Contrast	support
26	* 0 IR 027	Color Temperature	support
27	* 0 IR 028	Source Analog RGB for DVI Port	Unsupport
28	* 0 IR 029	Source Analog YPbPr for DVI Port	Unsupport
29	* 0 IR 030	Hide	support
30	* 0 IR 031	Source	support
31	* 0 IR 032	Video: Color saturation adjustment	support
32	* 0 IR 033	Video: Hue adjustment	support
33	* 0 IR 034	Video: Sharpness adjustment	support
34	* 0 IR 035	Query Model name	support
35	* 0 IR 036	Query Native display resolution	support
36	* 0 IR 037	Query company name	support
37	* 0 IR 040	Aspect ratioL.Box	support (for P1340W/ H6510BD)
38	* 0 IR 041	Aspect ratio 1:1	Unsupport
39	* 0 IR 042	Keystone Up	support
40	* 0 IR 043	Keystone Down	support
41	* 0 IR 044	Keystone Left	Unsupport
42	* 0 IR 045	Keystone Right	Unsupport
43	* 0 IR 046	Zoom	support

44	* 0 IR 047	e-Key	support
45	* 0 IR 048	Color RGB	support
46	* 0 IR 049	Language	support
47	* 0 IR 050	Source HDMI	support (for P1340W/ H6510BD)
General command type (Projector 'transmits' commands)			
NO	Code (character)	Function feature	Note
1	Model XXXXXXXXXX	Return the Model name	support
2	Res XXXXX	Return the Native display resolution	support
3	Name XXXXXXXXXX	Return the company name	support
Lamp command type (Projector 'receives' commands)			
NO	Code (character)	Function feature	Note
1	* 0 Lamp ?	Query the lamp ON/OFF	support
2	* 0 Lamp	Query the lamp hours	support
Lamp command type (Projector 'transmits' commands)			
NO	Code (character)	Function feature	Note
1	Lamp 0	Return Lamp OFF status	support
2	Lamp 1	Return Lamp ON status	support
3	XXXX	Return Lamp hours	support
Source command type (Projector 'receives' commands)			
NO	Code (character)	Function feature	Note
1	* 0 Src ?	Query source input type	support