

375

SERIES 3 POLE 30 AMP POWER RELAY

FEATURES

- 30 Amp Switching on all Contacts (25 Amps in Europe)
- Coil Molded in DuPont Rynite®, Providing Class F Temperature Insulation
- Dual Flag Terminal Option allows easy serial connection of multiple devices
- Low Cost Alternative to Small Contactors
- PPS engineering thermoplastic panel provides superior mechanical and electrical characteristics

CONTACT DATA

CONFIGURATION:

3PST-NO, 3PST-NC & 3PDT

MATERIALS:

All Contacts 1/4" Diameter Silver Cadmium Oxide

CONTACT RATINGS

MODEL	POLE CONFIG.	UL RATINGS
375	3PST-NO 3PST-NC 3PDT	30 amp at 300VAC 80% PF 15 amp at 600VAC 80% PF 30 amp at 28VDC 1 HP at 120VAC 2 HP at 240/277VAC; 100,000 cycles 3 HP at 480VAC; 100,000 cycles 3 HP at 600 VAC; 100,000 cycles 5 HP at 230VAC 3-phase; 6,000 cycles endurance 7.5 HP at 460VAC 3-phase; 6,000 cycles endurance 20 amp at 480VAC ballast; 6000 cycles 20 amp at 277VAC ballast; 6000 cycles 30 amp at 277VAC resistive; 100,000 cycles 18 amp at 480VAC resistive; 250,000 cycles 15 amp at 600VAC resistive; 250,000 cycles 100LRA, 30FLA at 240/277VAC; 100,000 cycles 50LRA, 20FLA at 600VAC; 100,000 cycles
European Ratings		
375	3PST-NO 3PST-NC 3PDT	25A at 300VAC ~ AC1 25A at 28VDC ~ DC1 per EN60947-4-1

UL RECOGNIZED FILE NO.: E37066

US and Canadian recognition

CE Marked - AC1/DC1

EXPECTED LIFE

Electrical At Rated Load (Minimum)

100,000 Operations

Mechanical Life

10,000,000 Operations

DIELECTRIC STRENGTH

2200 VRMS, 60 Hz Between Contacts

3750 VRMS, 60 Hz Between Other Elements

MODELS

375F: Flange Cover

375TM: Top Mount Cover

375P: Printed Circuit Terminals



COIL DATA

	NOMINAL VOLTAGE	RESISTANCE IN OHMS ± 10%	NOMINAL COIL POWER
AC Coils	6VAC	2.4	4.6VA
	12VAC	9.5	
	24VAC	38	
	48VAC	150	
	120VAC	970	
	208VAC	3075	
	240VAC	3800	
277VAC	5325		
DC Coils	6VDC	14	2.6W
	12VDC	56	
	24VDC	230	
	48VDC	900	
	110VDC	4900	

Coil Voltages: AC: Up to 277 Volts/60 Hz

DC: Up to 125 Volts

Coil Treatment: Molded Rynite® Std. Class F

Insulation Resistance: 100 Megohms Minimum

UL Insulation System File No.: E74443

S155D 155°C Total Temperature Std.

OPERATE DATA

Pick Up (at 25°C): AC Volts 85% or Less of Nominal

DC Volts 75% or Less of Nominal

Operate Time: Approx. 15 Milliseconds

Release Time: Approx. 15 Milliseconds

ENVIRONMENTAL DATA

Operating Ambient: 50°C max. @ full load continuous

operation. Consult factory for information on

higher operating ambients.

MECHANICAL DATA

Terminals: .250" x .032" Quick Connect/Solder

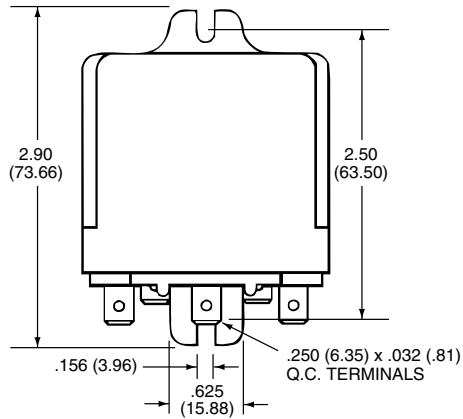
Dual Terminal versions .250" x .032" Quick Connect

Panel: PPS (polyphenylene sulfide) thermoplastic - Flammability Rating 94VO

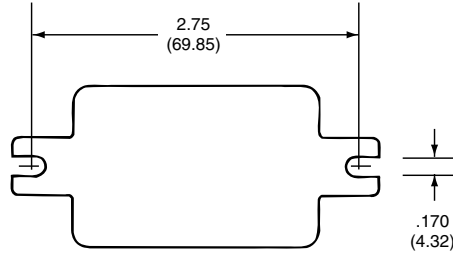
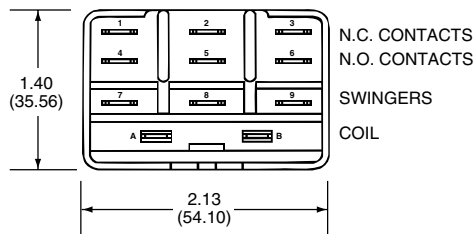
Cover: Clear Polycarbonate - Flammability Rating 94V2

Weight: Approx. 3.5oz. (99g)

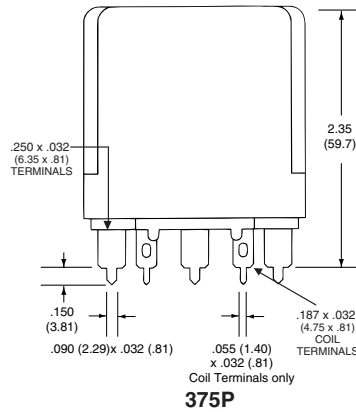
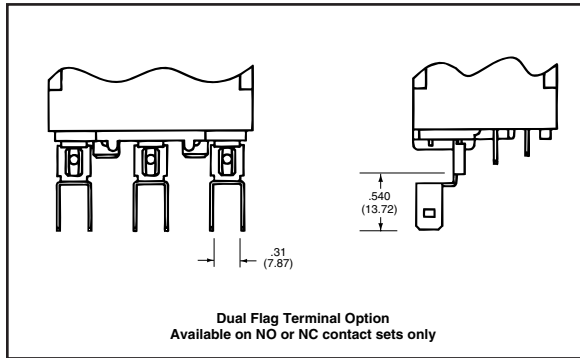
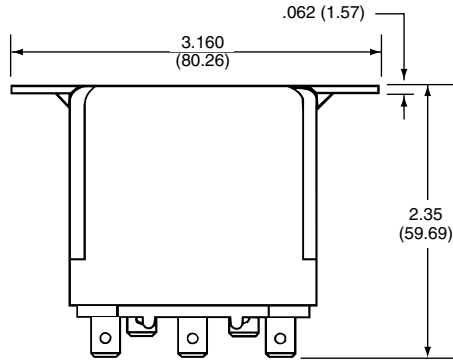
DIMENSIONS [Unit Inch (mm)]



375F

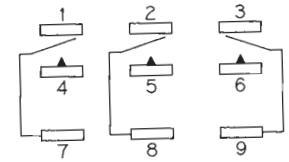


375TM

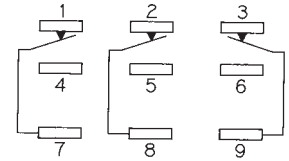


375P

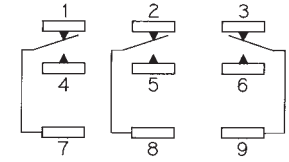
SCHEMATICS



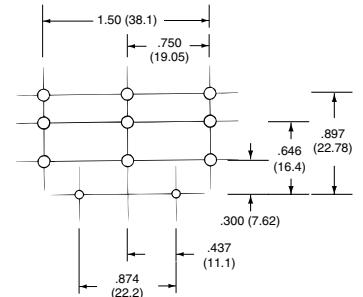
3PST-NO



3PST-NC



3PDT



ORDERING INFORMATION

30 AMP Part Numbers

Model	Pole Configuration	AC Coils			DC Coils		
		24VAC	120VAC	240VAC	12VDC	24VDC	110VDC
375TM	3PST-NO	21009-82*	21009-84*	21009-85*	21012-81	21012-82*	21012-84
	3PST-NC	21010-82	21010-84	21010-85	21013-81	21013-82	21013-84
	3PDT	21011-82*	21011-84*	21011-85*	21014-81*	21014-82*	21014-84
375F	3PST-NO	21017-82	21017-84	21017-85	21020-81	21020-82	21020-84
	3PST-NC	21018-82	21018-84	21018-85	21021-81	21021-82	21021-84
	3PDT	21019-82	21019-84	21019-85	21022-81	21022-82	21022-84
375P	3PST-NO	21038-82	21038-84	21038-85	21041-81	21041-82	21041-84
	3PST-NC	21039-82	21039-84	21039-85	21042-81	21042-82	21042-84
	3PDT	21040-82	21040-84	21040-85	21043-81	21043-82	21043-84

*Black Items are Normally Stocked.

Blue Items are Non Stock. Minimum May Be Required.