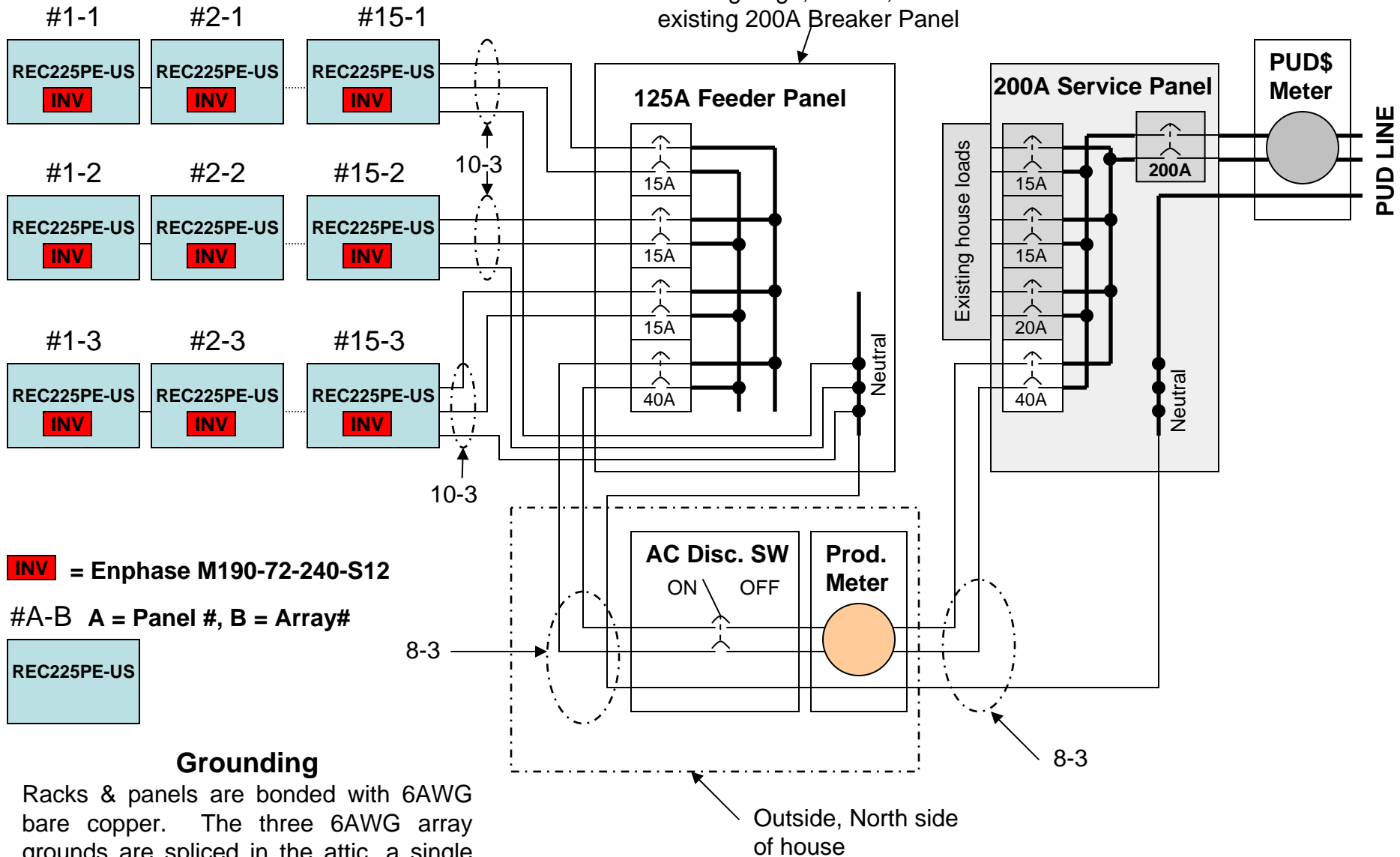


(45) REC Solar 225W Panels; 10,125W (REC225PE-US)

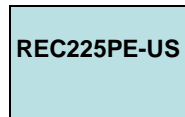
(3) Arrays of 15 using Enphase Micro Inverters

Inside garage, N Wall, next to existing 200A Breaker Panel



**INV** = Enphase M190-72-240-S12

#A-B A = Panel #, B = Array#



### Grounding

Racks & panels are bonded with 6AWG bare copper. The three 6AWG array grounds are spliced in the attic, a single 6AWG ground wire runs from the splice to the 125A Feeder Panel then to the AC Disc. SW then to the Prod. Meter then to 200A Service Panel.