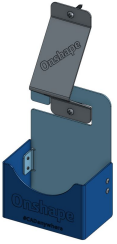


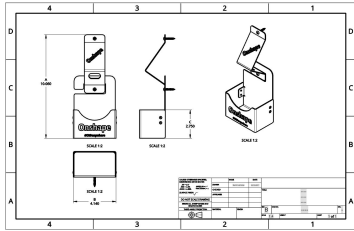
CUSTOMER: Bryan's Design  
CONTACT: Bryan Lagrange  
SHIP ADDRESS: 222 BIG ST  
Somewhere, LA 77777  
PHONE #: (999) 999-9999  
EMAIL: bryan@bryan.com

PROJECT NAME: WALL MOUNT BOTTLE OPENER

MODEL:



DRAWING:



BILL OF MATERIAL:



QR JOB INFO: QR JOB STATUS:



JOB DOCUMENTS:



MATERIAL DOCUMENTS:



WELD PROCEDURES:



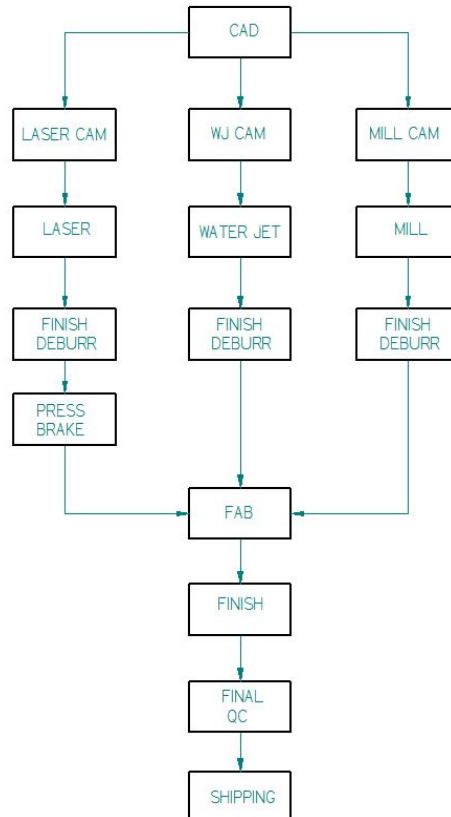
QC DOCUMENTS:



TIME CLOCK:



ROUTER:



FINAL INSPECTOR.:  
FINAL INSPECTION DATE:

SHIPPING PERSONNEL:  
SHIPPING DATE: