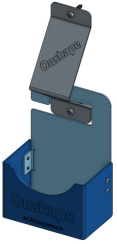


WORK ORDER:0000001
PURCHASE ORDER:BRY000-01
DUE DATE:12/12/17

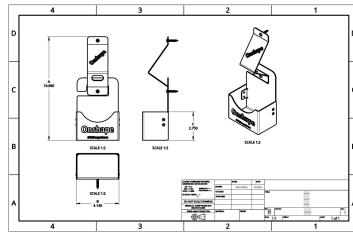
CUSTOMER: Bryan's Design
CONTACT: Bryan Lagrange
SHIP ADDRESS: 222 BIG ST
Somewhere, LA 77777
PHONE #: (999) 999-9999
EMAIL: bryan@bryan.com

PROJECT NAME: WALL MOUNT BOTTLE OPENER

MODEL:



DRAWING:



BILL OF MATERIAL:



JOB DOCUMENTS:



MATERIAL DOCUMENTS:



WELD PROCEDURES:



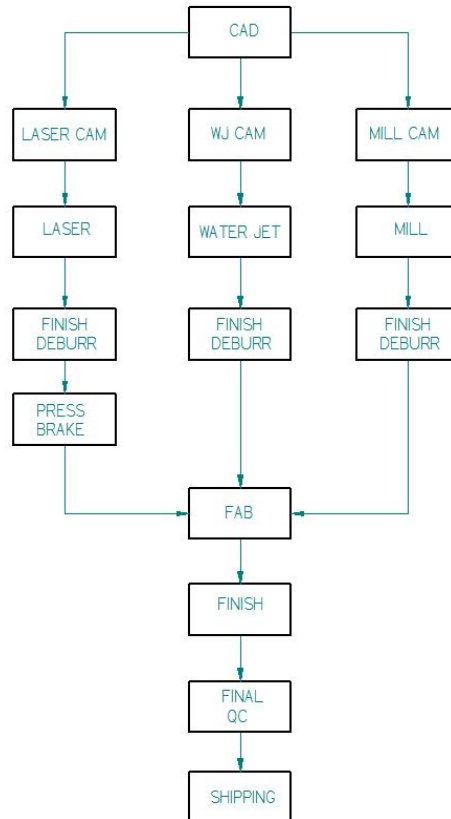
QC DOCUMENTS:



TIME CLOCK:



ROUTER:



FINAL INSPECTOR.:
FINAL INSPECTION DATE:

SHIPPING PERSONNEL:
SHIPPING DATE: