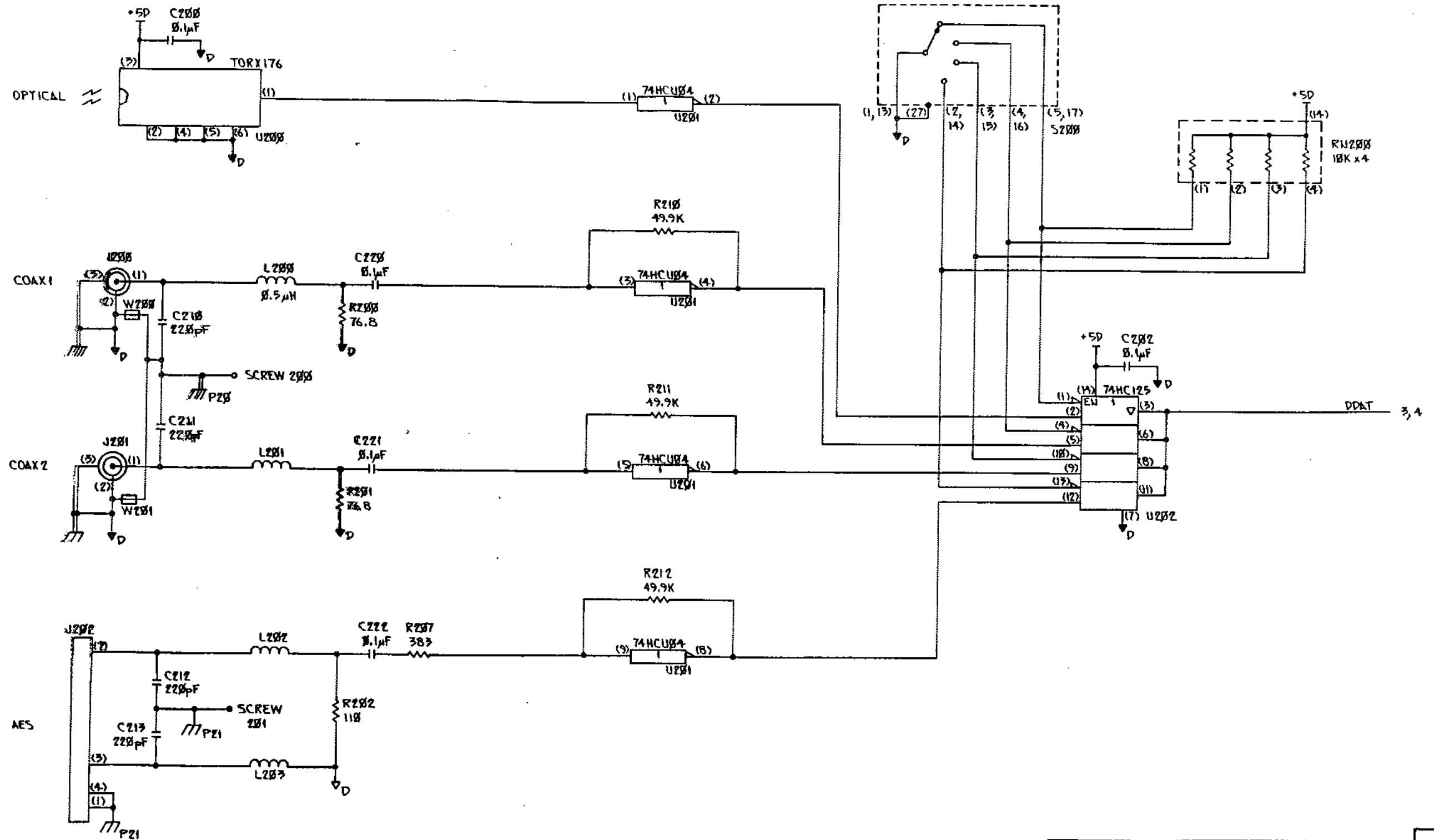
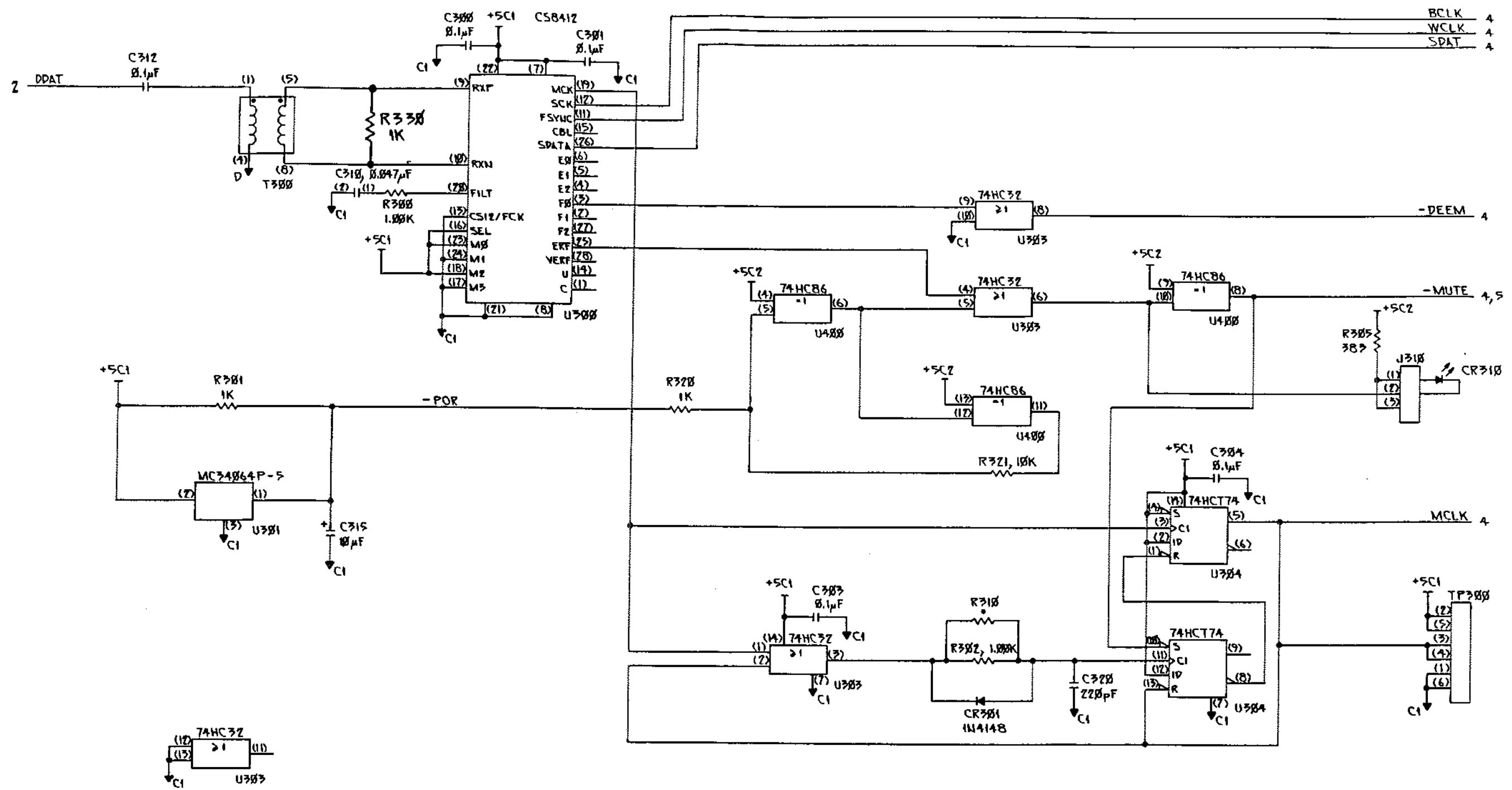


- NOTES: UNLESS OTHERWISE SPECIFIED
- 1 COMPONENT REQUIRES HEATSINK (HS6391B-PZ).
 - 2. R100 AND R102 INSTALLED FOR 115VAC INPUT, R101 NOT INSTALLED.
 - 3. R101 INSTALLED FOR 230VAC INPUT, R100 AND R102 NOT INSTALLED.
 - 4. OPTIONAL COMPONENTS INSTALLED FOR DEEMPHASIS.

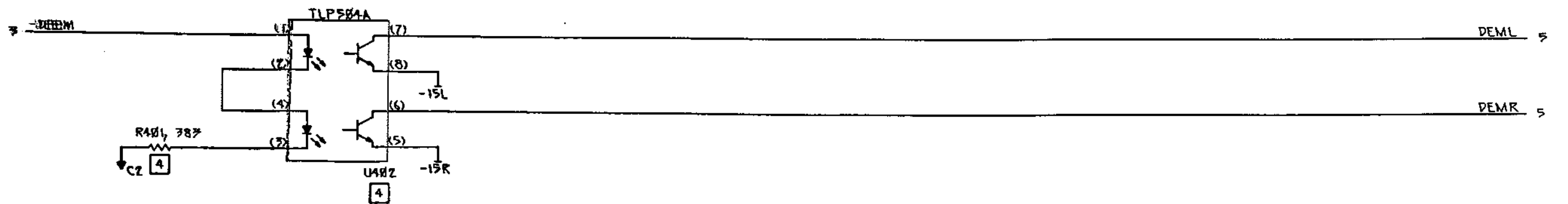
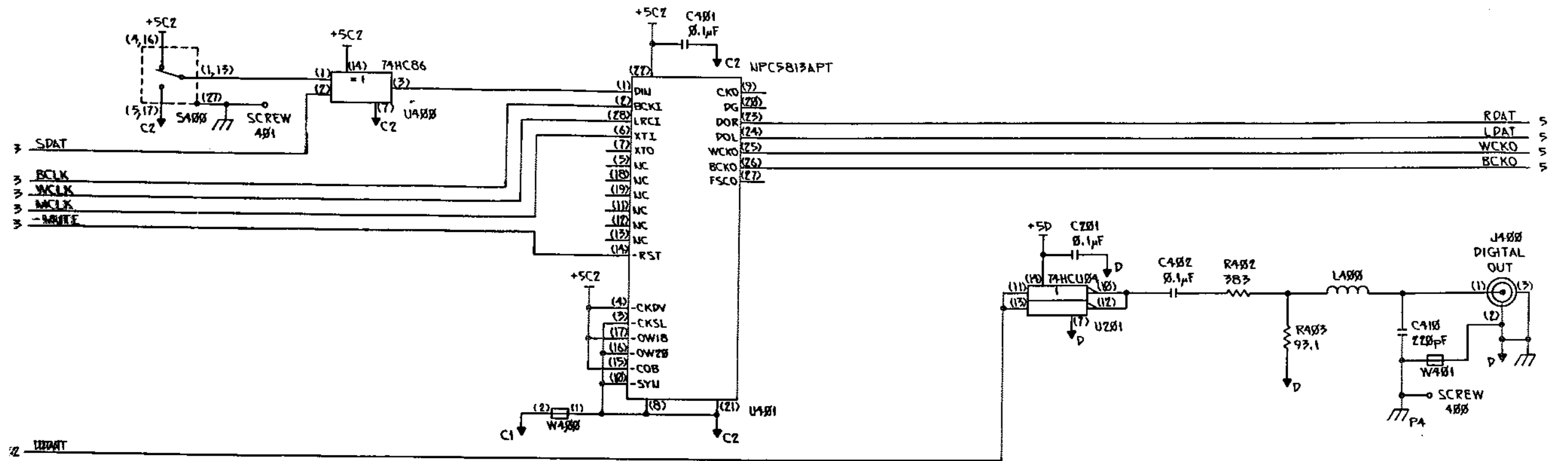
GDA-600					USED ON
ECO NO.	REV	DATE	DRAWN	CHECKED	RELEASED:
	1	7/24/77	ARTER		ULTRANALOG, INC. <i>Advancing the Analog Art.</i>
	3	7/21/77			
49	4	5/15/77			
59	5	10/77			
63	6	10/77			
80	7	1/78			
DRAWING NO. OMICRON I/DSCH					TITLE OMICRON I POWER SUPPLY
					SHEET 1 OF 5



ECO NO.	REV	DATE	DRAWN	CHECKED	RELEASED:	USED ON
	1	5/28/99	ARTER			
	2	7/15/99				
49	4	7/15/99				
59	5	10/1/99				
63	6	10/9/99				
	7	1/5/01				
					ULTRAANALOG, INC. <i>Advancing the Analog Art.</i>	
					TITLE OMICRON1 INPUT MULTIPLEXING	
					DRAWING NO. OMICRON1/PSCH	SHEET 2 OF 5



ECO NO.	REV	DATE	DRAWN	CHECKED	RELEASED:
	1	5/20/99	ARTEK		ULTRAAANALOG, INC. <i>Advancing the Analog Art.</i>
	3	7/21/99			
	4	9/15/99			
	5	10/99			
	6	10/99			TITLE OMICRONI DATA DECODING AND DUTY CYCLE RECOVERY
	7	1/99			
DRAWING NO.					OMICRONI/PSCH
					SHEET 3 OF 5

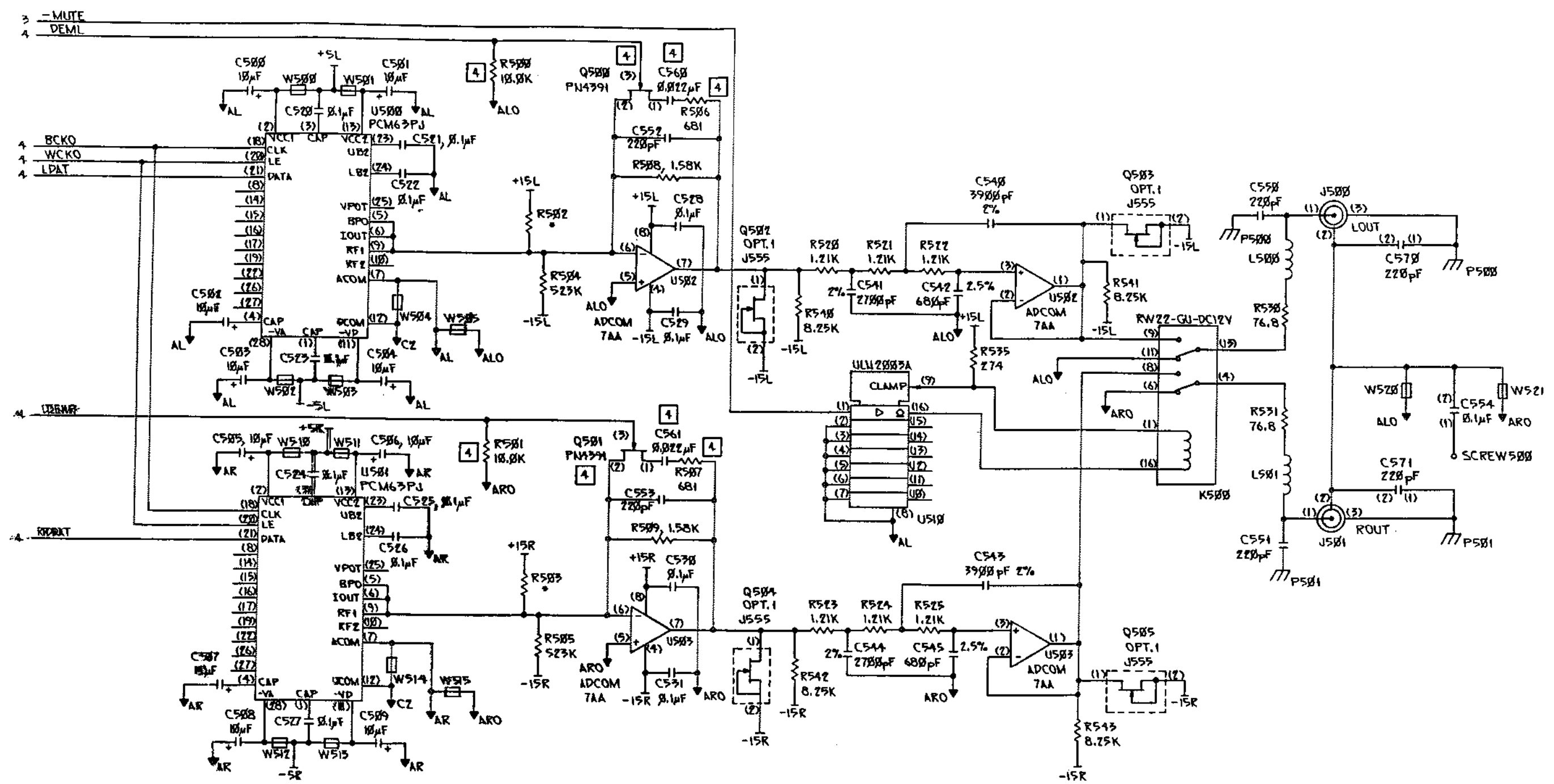


ECO NO.	REV	DATE	DRAWN	CHECKED	RELEASED:	USED ON
	1	5/21/93	AKTER			
	2	7/21/93				
49	4	7/15/93				
57	5	10/93				
63	6	10/93				
	7	1/94				
TITLE OMICRON1 OVERSAMPLING FILTER AND DIGITAL OUT						
DRAWING NO. OMICRON1/PSCH						SHEET 4 OF 5

ULTRANALOG, INC
Advancing the Analog Art.

DRAWING NO.
 OMICRON1/PSCH

SHEET 4 OF 5



ECO NO.	REV	DATE	DRAWN	CHECKED	RELEASED:	USED ON
	1	9/26/93	ARTER			
	3	7/21/93				
49	4	7/15/93				
59	5	10/93				
63	6	10/93				
	7	1/94				

ULTRAANALOG, INC. <i>Advancing the Analog Art.</i>	
TITLE	OMICRON ANALOG OUTPUT
DRAWING NO.	OMICRON/DSCH
	SHEET 5 OF 5