

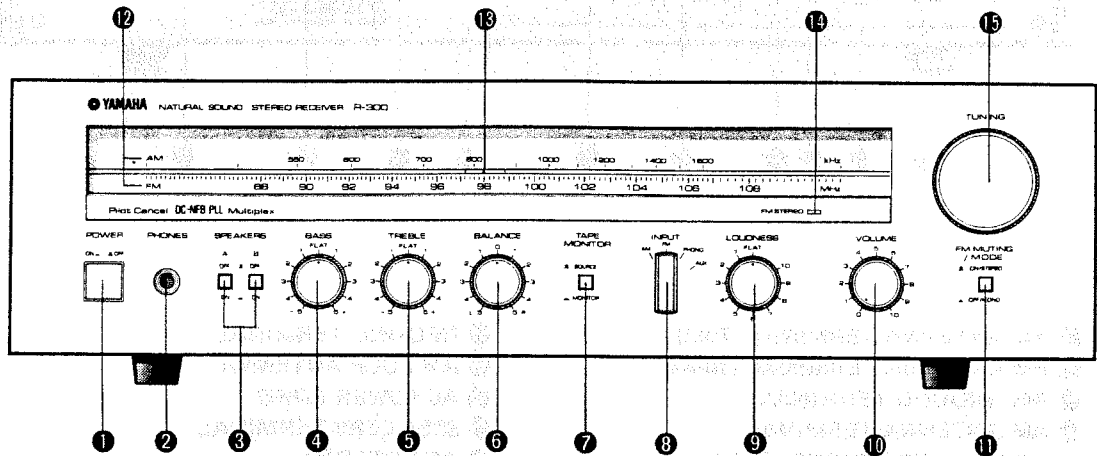
STEREO RECEIVER

Model No. R-300

R-300

SERVICE MANUAL

FRONT PANEL



- | | |
|-------------------------|-------------------------|
| ① POWER SWITCH | ⑨ LOUDNESS CONTROL |
| ② PHONES JACK | ⑩ VOLUME CONTROL |
| ③ SPEAKERS SWITCH A & B | ⑪ FM MUTING/MODE SWITCH |
| ④ BASS CONTROL | ⑫ FM/AM TUNING SCALES |
| ⑤ TREBLE CONTROL | ⑬ TUNING INDICATOR |
| ⑥ BALANCE CONTROL | ⑭ FM STEREO INDICATOR |
| ⑦ TAPE MONITOR SWITCH | ⑮ TUNING KNOB |
| ⑧ INPUT SELECTOR SWITCH | |

CONTENTS

REAR PANEL	1
INTERNAL COMPONENTS	2
DISASSEMBLY PROCEDURES	3
DIAL MECHANISM	4
SPECIFICATIONS	5
BLOCK DIAGRAM	6
ADJUSTING POINTS and ADJUSTMENTS	7
WIRING	9
SCHEMATIC DIAGRAM	10

004419

SINCE 1887



YAMAHA

NIPPON GAKKI CO., LTD. HAMAMATSU, JAPAN

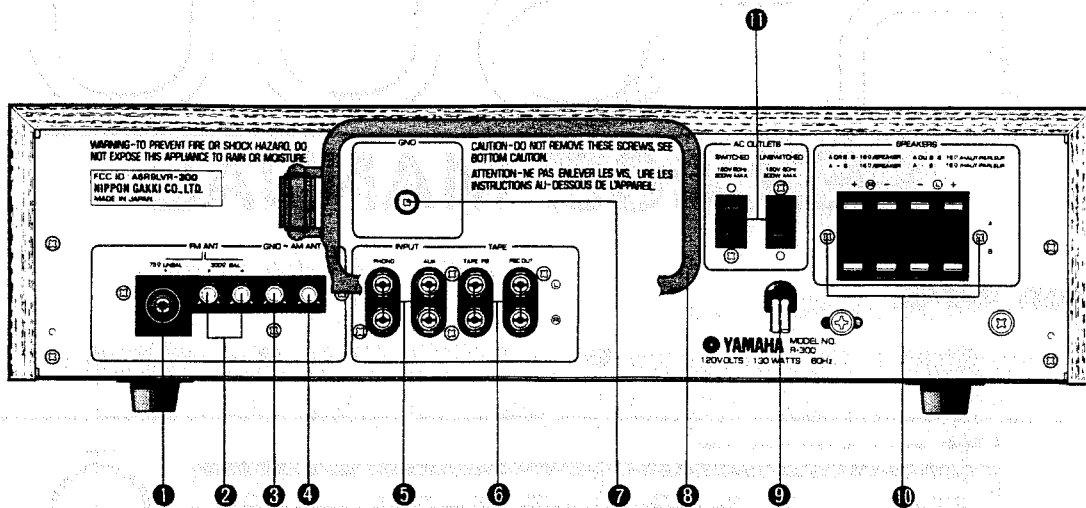
'80.12. 2.5K. KT.



Printed in Japan.

REAR PANEL

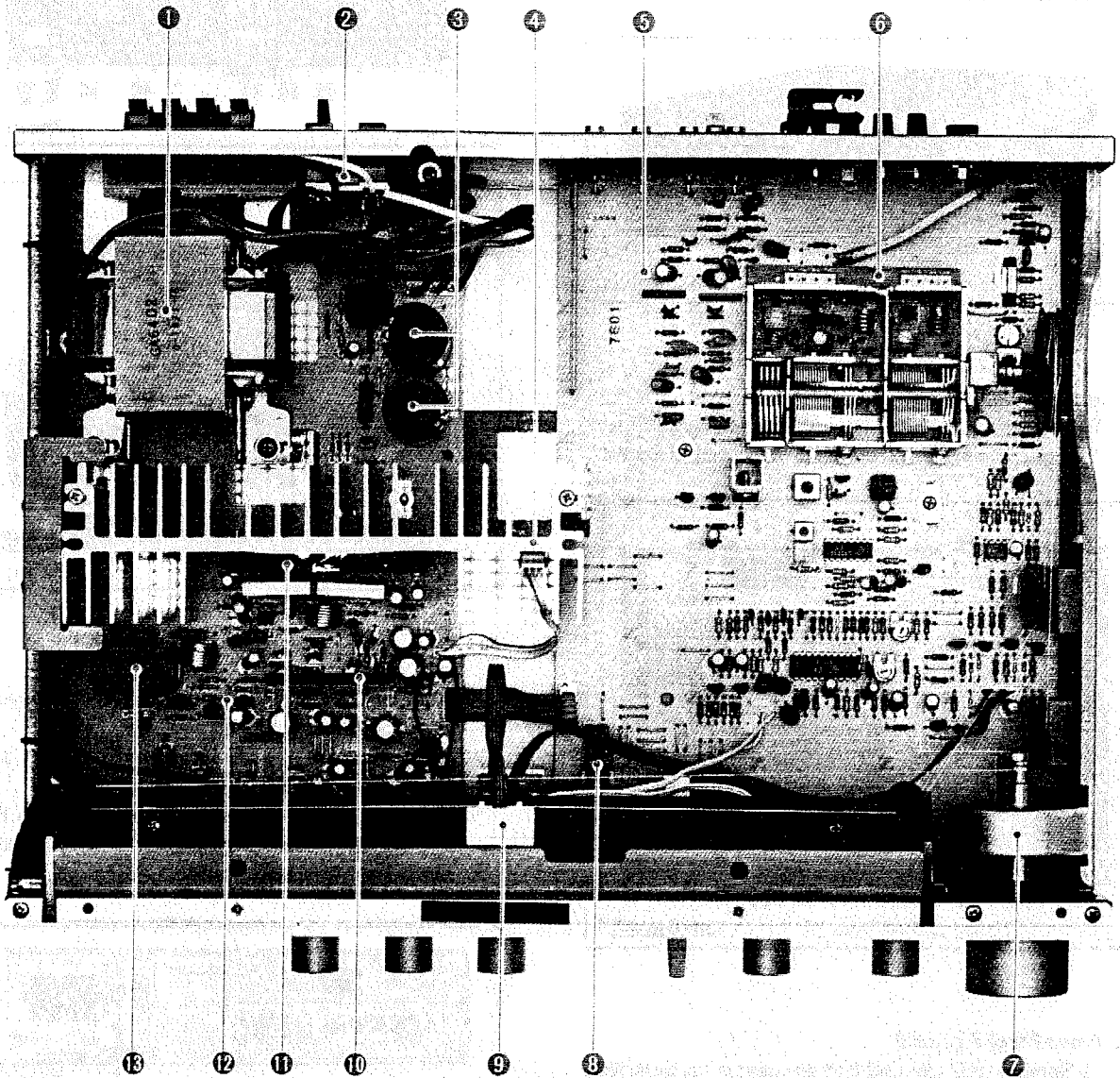
U.S.A and Canadian Models



- | | |
|------------------------------|---------------------|
| ① FM ANTENNA TERMINAL (75Ω) | ⑦ GROUND TERMINAL |
| ② FM ANTENNA TERMINAL (300Ω) | ⑧ AM LOOP ANTENNA |
| ③ AM GROUND TERMINAL | ⑨ AC POWER CORD |
| ④ AM ANTENNA TERMINAL | ⑩ SPEAKERS TERMINAL |
| ⑤ INPUT JACKS (PHONO, AUX) | ⑪ AC OUTLETS |
| ⑥ TAPE PB/REC JACKS | |

INTERNAL COMPONENTS

Top View



- ① Power transformer
- ② AC outlets
- ③ Electrolytic capacitor (C340,341)
- ④ Heat sink
- ⑤ Tuner C. board (1)
- ⑥ Front-end pack (PK101)
- ⑦ Fly wheel

- ⑧ Input selector switch (SW102)
- ⑨ Dial pointer
- ⑩ Voltage amplifier IC (IC302)
- ⑪ Power IC (IC303)
- ⑫ Main C. board (1)
- ⑬ Relay (RY301)

■ DISASSEMBLY PROCEDURES

1. Top Cover Removal

Loosen screws ① and ② as shown in Photo 1 for both left and right sides. Slide the top cover back a little and lift off.

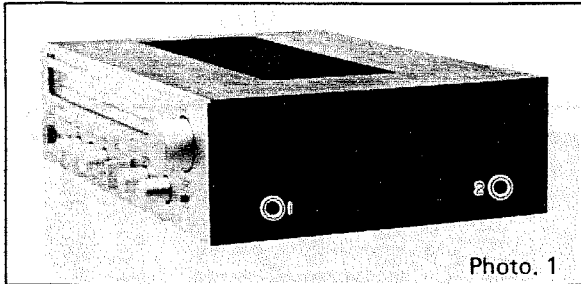


Photo. 1

2. Bottom Cover Removal

Turn the set upside down, and loosen screws ① to ⑧ shown in Photo 2 to remove the bottom cover.

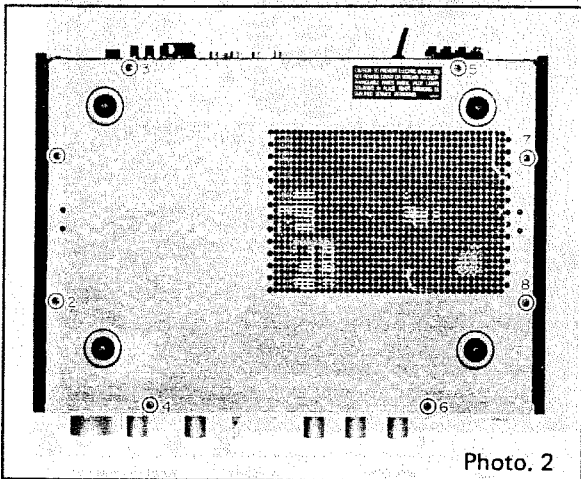


Photo. 2

3. Front Panel Removal

- 1) Remove the top and bottom covers (as described in procedures 1 and 2 above).
- 2) Using a 1.5φ allen wrench loosen the set screws securing the INPUT selector knobs. These knobs may then be removed from the set.
- 3) Loosen screws ① to ③ shown in Photo 3, and pull the front panel out forwards.
- 4) Then after removing the plastic rivets ① and ② shown in Photo 4, separate the front panel completely from the set.

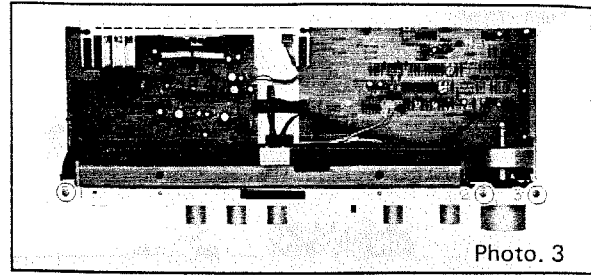


Photo. 3

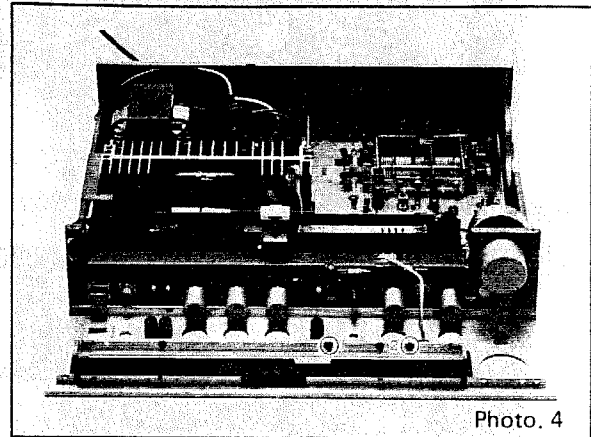


Photo. 4

4. Rear Panel Removal

- 1) Remove the top and bottom covers (as described in procedures 1 and 2 above).
- 2) Disconnect the power cord from the set at the AC OUTLETS position.
- 3) Loosen screws ① to ⑱ shown in Photo 5 and screw ⑲ shown in Photo 6 to enable the removal of the rear panel.

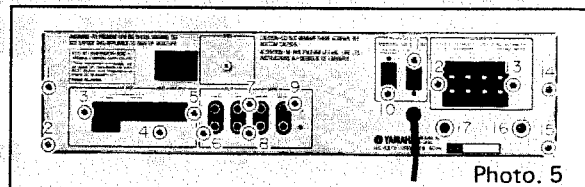


Photo. 5

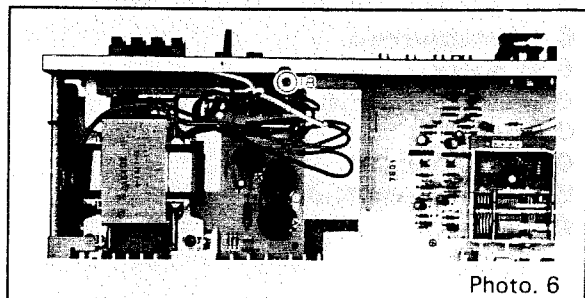


Photo. 6

5. Front-end Pack Removal

- 1) Remove the top and bottom covers (as described in procedures 1 and 2 above).
- 2) Move the dial pointer to the left hand end of the tuning dial scale. (This status will serve as a reference dial position when remounting the pulley).
- 3) Secure the dial string to the pulley with adhesive tape etc., as shown in Fig. 1, and pull out the pulley from the shaft.
- 4) Then after removing the solder from the positions marked ○ in Photo 7, remove the front-end pack.

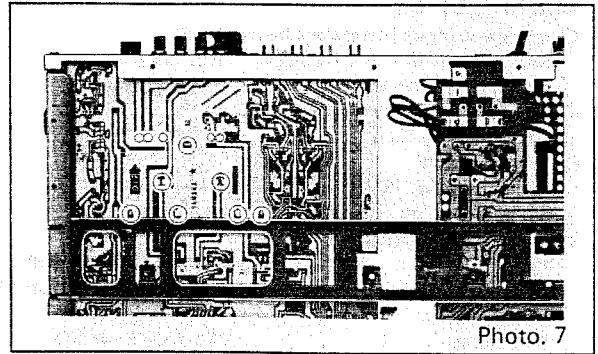
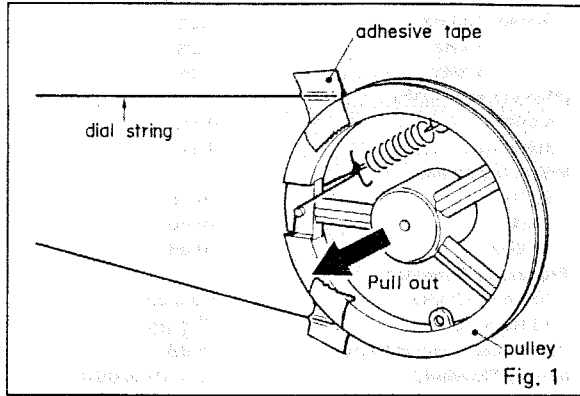
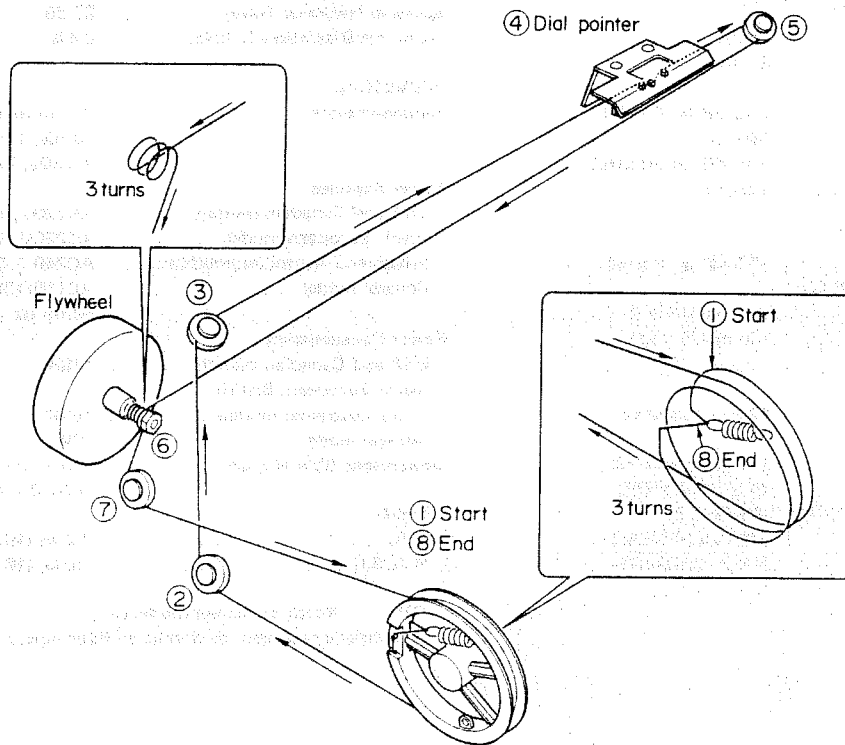


Photo. 7



■ DIAL MECHANISM



SPECIFICATIONS

AUDIO SECTION

Continuous Output Power Per Channel (IHF)	
20Hz ~ 20kHz (0.015% THD, 8Ω)	30W (14.8 dBW)
1kHz (0.01% THD, 8Ω)	35W (15.4 dBW)
DIN Standard Output Power Per Channel	
1kHz (1% THD, 8Ω)	36W (G)
Power Bandwidth	
0.02% THD, 15W (8Ω)	10Hz ~ 40kHz
Damping Factor (at 1kHz, 8Ω)	
	better than 40
Input Sensitivity/Impedance	
Phono	2.5 mV/47 kΩ, 220pF
	2.5 mV/47 kΩ, 470pF (G)
Aux, Tape	120 mV/47 kΩ
DIN terminal	120 mV/45 kΩ (G)
Input Sensitivity (New IHF)	
Phono	0.46 mV
Aux, Tape	22 mV
Maximum Input Level (0.01% THD)	
Phono 20Hz ~ 20kHz	150 mV
1 kHz	180 mV
Output Level/Impedance	
Rec Out (Phono)	120 mV/470Ω
DIN Out	28 mV/52 kΩ (G)
Headphone Jack Rated Output/	
Output Impedance	
0.015% THD	0.54 V/220 Ω
Frequency Response	
Aux, Tape	10Hz ~ 100kHz -1dB
Total Harmonic Distortion (20Hz ~ 20kHz)	
Phono (3V)	0.005%
Aux, Tape to Sp Out (1W/8Ω)	0.005%
Intermodulation Distortion	
Aux, Tape Rated output/8Ω	0.01%
1W/8Ω	0.015%
Signal-to-Noise Ratio (IHF-A Network)	
Phono (5mV, Input shorted)	85 dB
	75 dB (G)
Aux, Tape (Input shorted)	100 dB
	100 dB (G)
Signal-to-Noise Ratio (New IHF)	
Phono	74 dB
Aux, Tape	82 dB
Tone Control Characteristics	
Bass boost/cut	± 10 dB (at 50 Hz)
Bass turnover frequency	350 Hz
Treble boost/cut	± 10 dB (at 20 kHz)
Treble turnover frequency	3.5 kHz
Continuous Loudness Control	
(Level-related equalization)	
Maximum attenuation	-20 dB (at 1 kHz)
Rec Output Level/Impedance (Fixed)	
FM (100% Mod. 1 kHz)	500 mV/4.4 kΩ
AM (30% Mod. 1 kHz)	150 mV/4.4 kΩ

FM SECTION

Tuning Range	87.6 ~ 108 MHz
50 dB Quieting Sensitivity	
Mono	3.0 μV (14.8 dBf)
Stereo	40 μV (37.3 dBf)
Usable Sensitivity (IHF Mono, 1 kHz 100% Mod.)	
300 Ω	1.8 μV (10.3 dBf)
75 Ω	0.9 μV (10.3 dBf)

Usable Sensitivity (DIN, 40 kHz Dev.)	
Mono (S/N 26 dB)	1.2 μV (G)
Stereo (S/N 46 dB)	28 μV (G)
Image Response Ratio	50 dB
IF Response Ratio	90 dB
Spurious Response Ratio	70 dB
AM Suppression Ratio (IHF)	60 dB
Capture Ratio	1.5 dB
Alternate Channel Selectivity	55 dB
Signal-to-Noise Ratio (IHF)	
Mono	84 dB
Stereo	80 dB
Harmonic Distortion	
Mono 100 Hz	0.1%
1 kHz	0.1%
6 kHz	0.15%
Stereo 100 Hz	0.2%
1 kHz	0.2%
6 kHz	0.3%
IM-Distortion (IHF)	
Mono	0.1%
Stereo	0.2%
Stereo Separation	
50 Hz	30 dB
1 kHz	40 dB
10 kHz	30 dB
Frequency Response	
50 Hz ~ 10 kHz	± 0.3 dB
30 Hz ~ 15 kHz	+0.5 -1.5 dB
Sub-carrier Product Ratio	45 dB
Muting Threshold	3μV (14.8 dBf)
Blend Switching Threshold	30μV (34.8 dBf)

AM SECTION

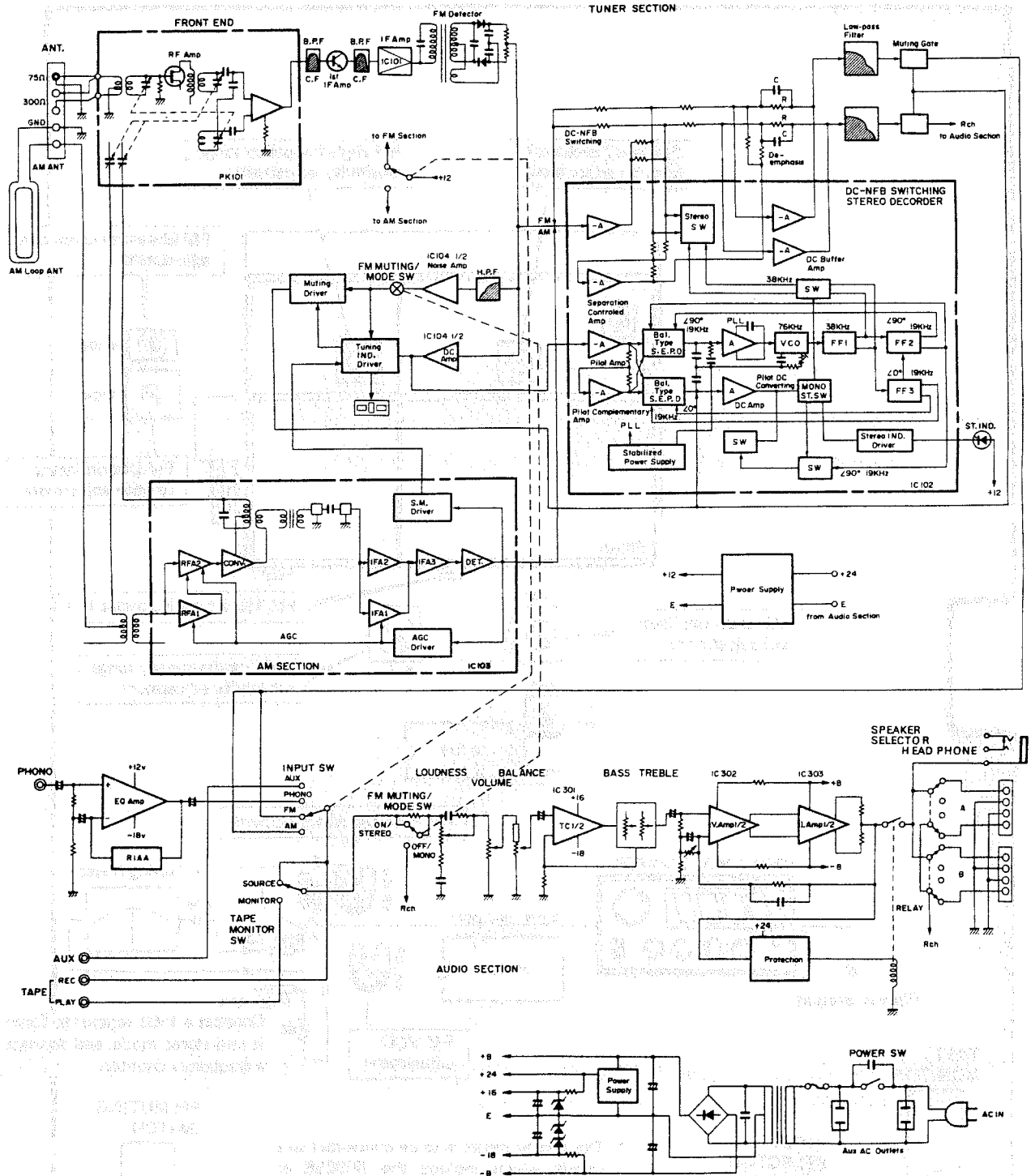
Tuning Range	525 ~ 1605 kHz
Usable Sensitivity (IHF, Loop Ant.)	300 μV/m
Selectivity (± 10 kHz)	30 dB
Signal-to-Noise Ratio	50 dB
Image Response Ratio	40 dB
Spurious Response Ratio	50 dB
Harmonic Distortion (1 kHz)	0.4%

GENERAL

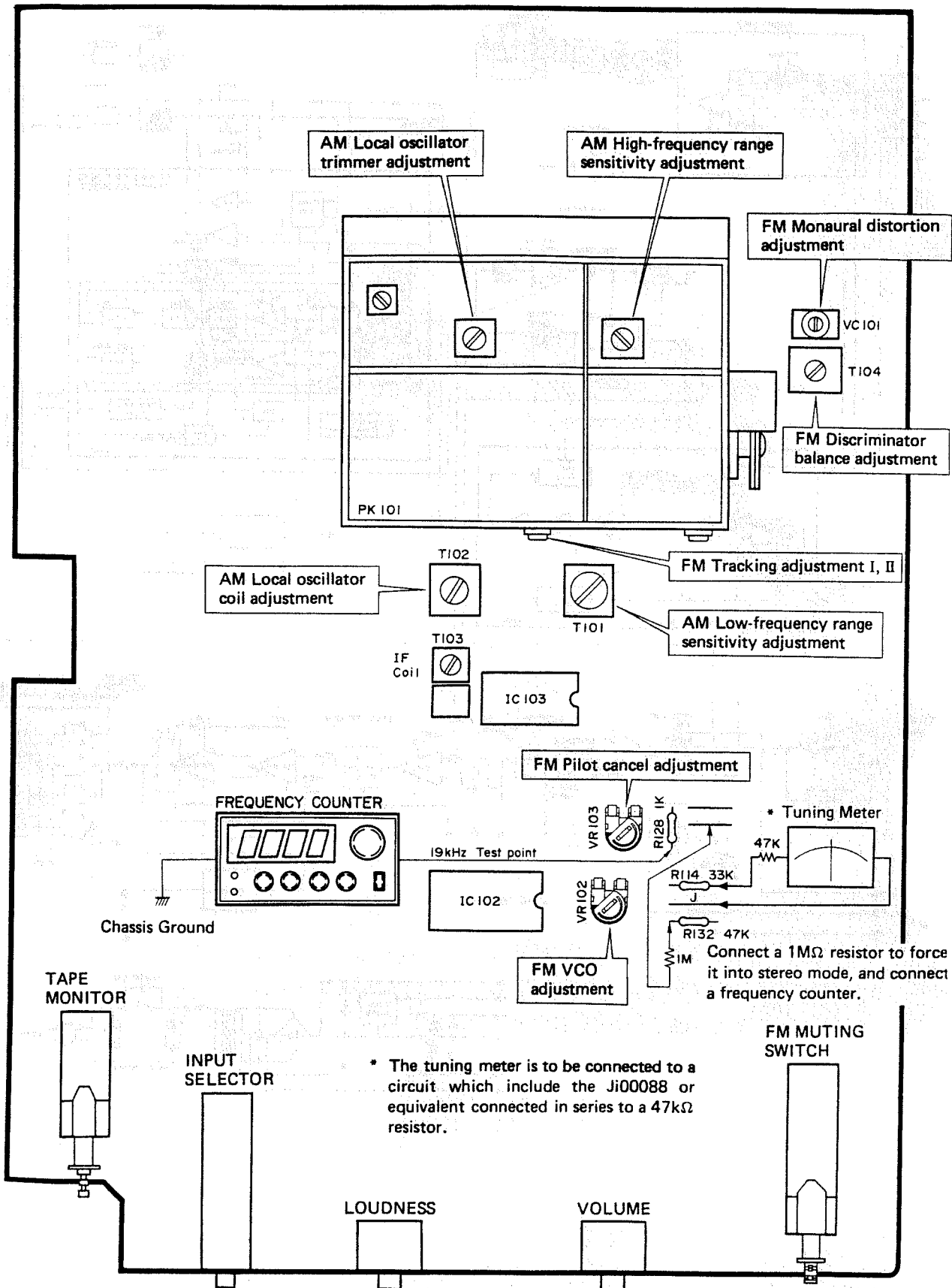
Semiconductor	24 Transistors 10 ICs, 1 FET 4 LEDs, 22 Diodes
Power Supplies	
USA and Canadian models	AC120V, 60 Hz
North European model	AC220V, 50Hz
British and Australian models	AC240V, 50Hz
General model	AC110/120/220/240V 50/60 Hz
Power Consumption	
USA and Canadian models	130W
North European, British and Australian models	180W
General model	70W
Dimensions (W x H x D)	435 x 122 x 337 mm (17-1/8 x 4-3/4 x 13-1/4 in)
Weight	
U.C.	7.2 kg (15.87 lbs)
R.A.G.B	7.6 kg (16.75 lbs)

(G) North European model only
Specifications subject to change without notice.

■ BLOCK DIAGRAM



■ ADJUSTING POINTS



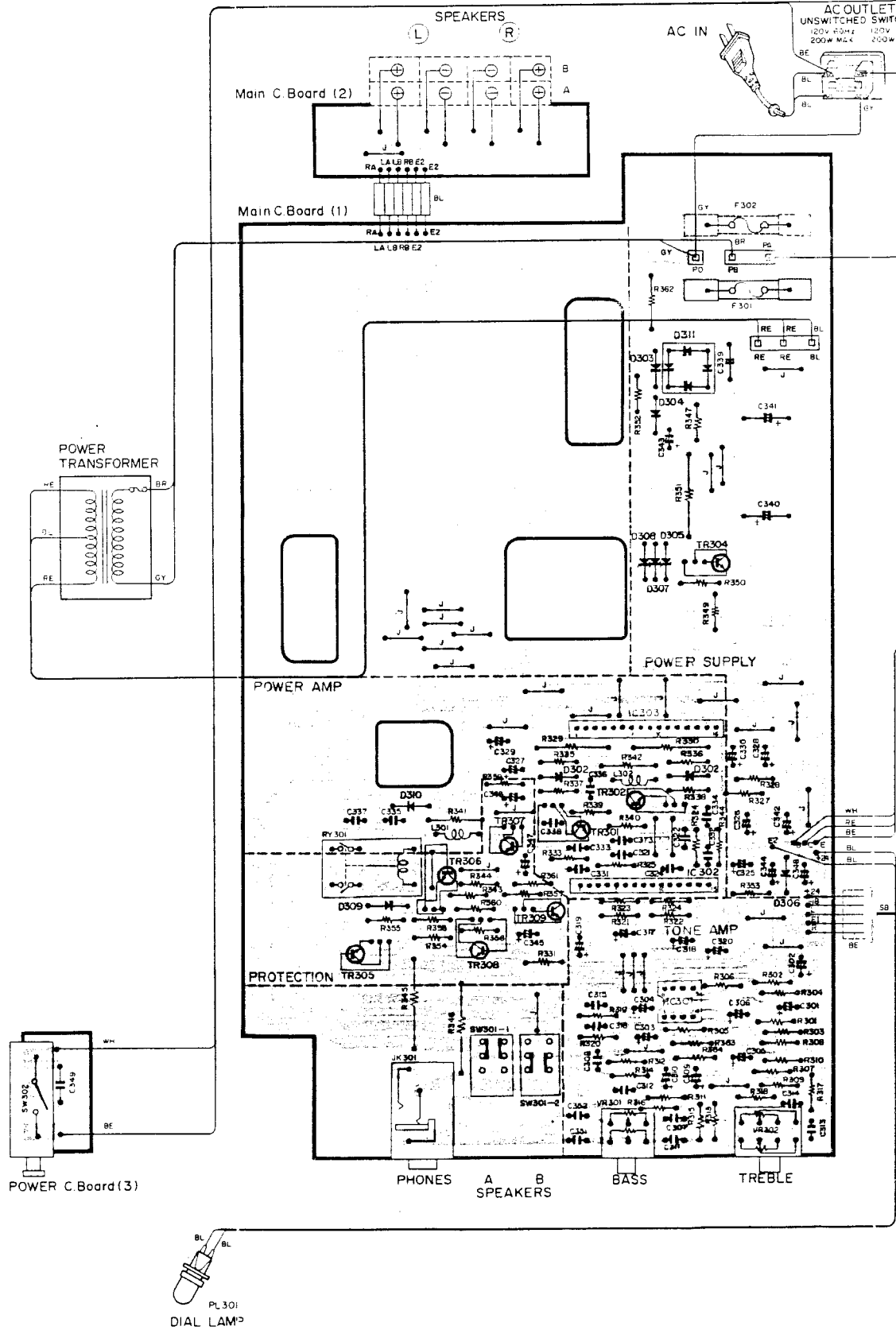
WIRING

This wiring diagram is for U.S. and Canadian models. As the following parts and values differ from each model, so refer to the corresponding column.

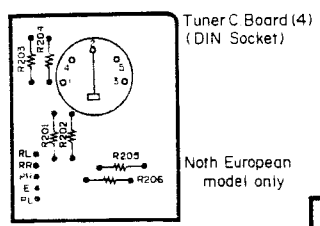
	P	A	G, B
F 301	T15A	T15A	T1A 250V
F 302	T3A		250V
C 349	001	001/250	001/250
R 362			

	A, B	G	R
CF 101	SFE	CFM-107S	SFE
CF 102	107MAB-Z	12C	107MAB-Z
CF 116			270P
R101	330	100	330
R104	330	470	330
R106	330	470	330
R113	15K	10K	15K

- U: USA model
- C: Canadian model
- A: Australian model
- B: British model
- R: General model
- G: Ninth European model

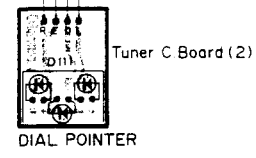
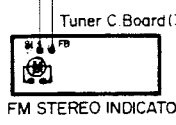
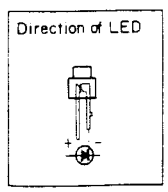
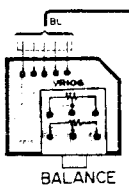
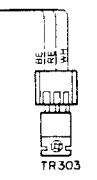
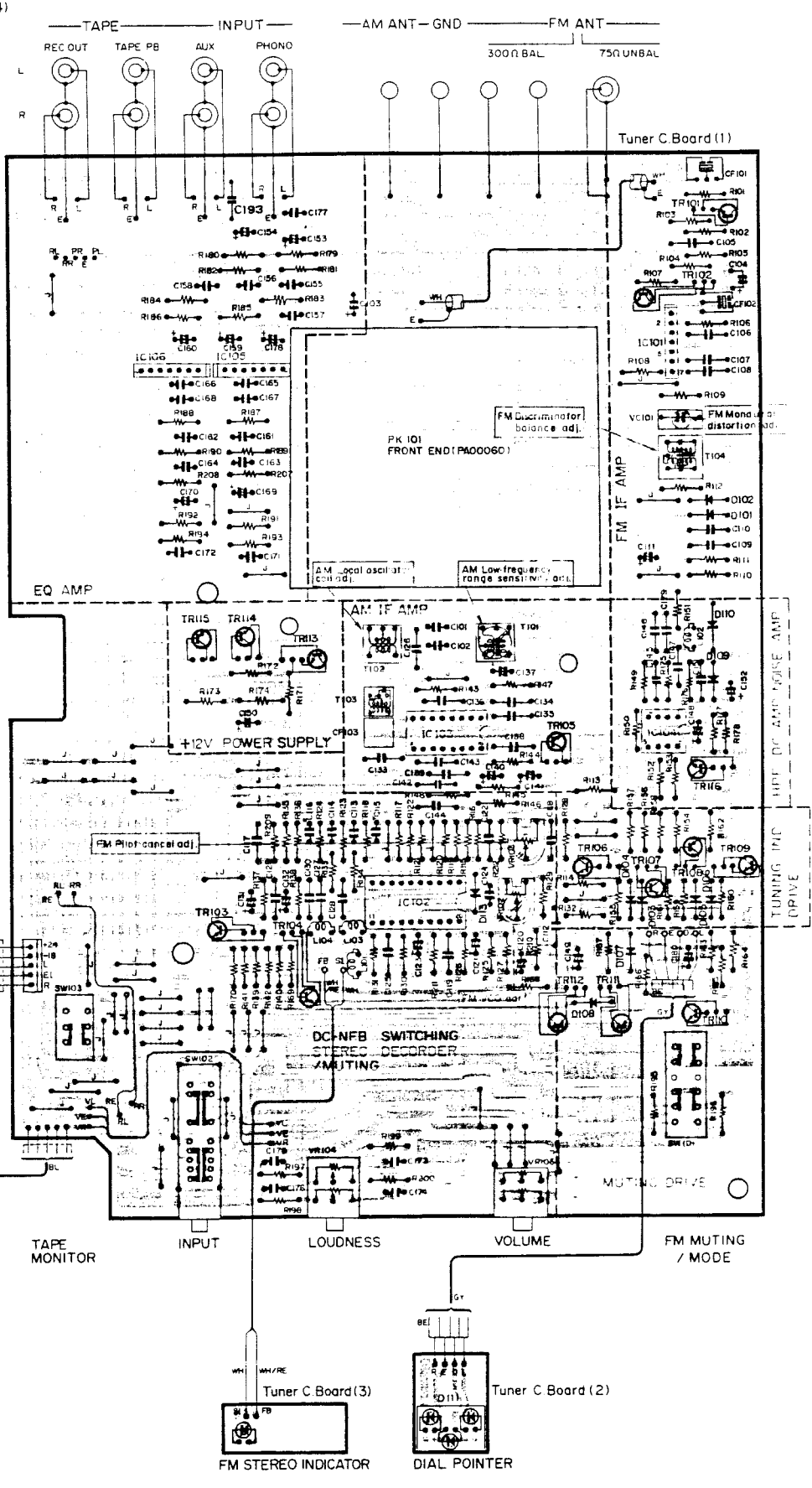
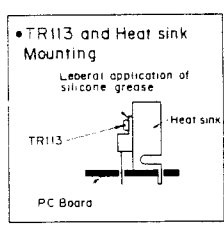


RED
2H
MAX
WH
BH



Tuner C Board (4)
(DIN Socket)

Not European model only



PARTS LIST

R-300

STEREO RECEIVER

■ **CONTENTS**

■ EXPLODED VIEW	1
■ PARTS LIST (Mechanism)	2
■ PARTS LIST (Circuit Board)	
Main Circuit Board	4
Tuner Circuit Board	7

004419

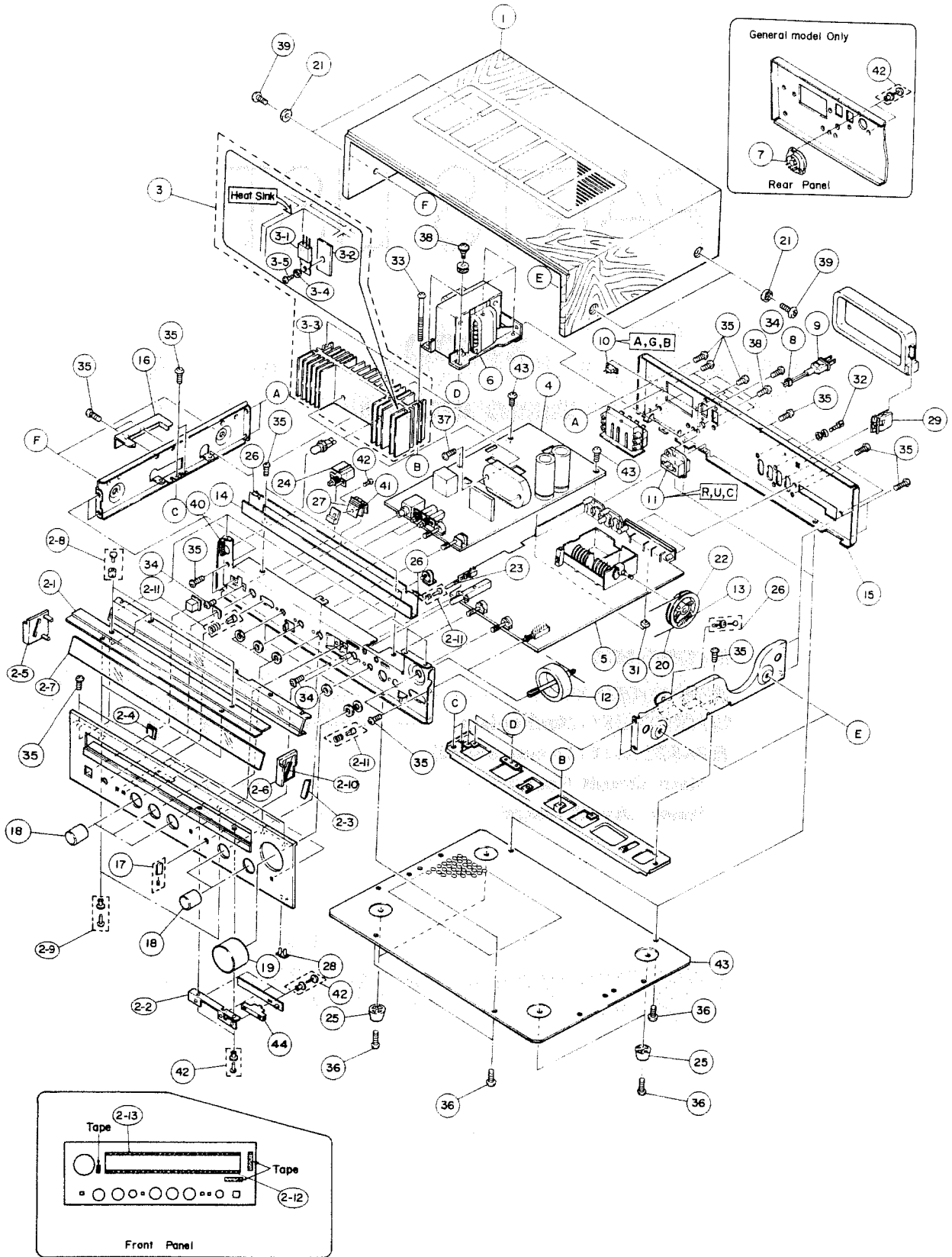
SINCE 1887



YAMAHA

NIPPON GAKKI CO., LTD. HAMAMATSU, JAPAN

R-300 ■ EXPLODED VIEW



ALCANTARA

■ PARTS LIST (Mechanism)

R-300

Ref. No.	Part No.	Description	(部 品 名)	Remarks	Common model	Markets
* 1	32 00 05 95 62 58 10	Cabinet	外装組立			R, A, G, B
* "	32 00 05 96 62 59 10	"	"			U
* "	32 00 05 96 62 60 10	"	"			C
* "	32 00 05 96 62 58 20	" (Black model)	"	R-300B		G
* 2	32 00 00 NB 09 97 20	Panel Unit	パネルユニット			
* "	32 00 00 NB 09 97 30	" (Black model)	"	R-300B		G
* 2-1	32 00 00 AA 60 55 20	Sealing Plate	シーリングプレート			
* "	32 00 00 AA 60 57 20	" (Black model)	"	R-300B		G
* 2-2	32 00 00 AA 60 55 40	Holder for LED	LEDホルダー			
* 2-3	32 00 00 AA 60 55 60	Stopper	ストッパー			
2-4	32 00 00 CB 09 38 40	Frame, Power Button	パワーボタン枠			
"	32 00 00 CB 09 38 80	" (Black model)	"	R-300B		G
* 2-5	32 00 00 CB 60 18 20	Side Cap (L)	サイドキャップ(L)			
* "	32 00 00 CB 60 20 50	" (Black model)	"	R-300B		G
* 2-6	32 00 00 CB 60 18 30	Side Cap (R)	サイドキャップ(R)			
* "	32 00 00 CB 60 20 60	" (Black model)	"	R-300B		G
* 2-7	32 00 00 CB 60 18 90	Dial Scale	ダイヤルスケール			
2-8	42 00 00 CB 06 88 80	Plastic Rivet (Black)	プラスチックリベット			
2-9	32 00 00 CB 08 37 30	" (Gray)	"			
2-10	42 00 00 CB 07 41 90	Adhesive Tape 5×36	ダブルタックテープ			
2-11	32 00 00 NB 09 39 20	Push Button Assembly	プッシュボタン Ass'y		CR-440	
"	32 00 00 NB 09 39 30	" (Black model)	"	R-300B		G
2-12	42 00 00 CB 07 42 00	Adhesive Tape 10×323 Both face type	ダブルタックテープ			
2-13	42 00 00 CB 07 41 90	" 5×323 "	"			
"	32 00 00 CB 09 65 90	Side Spacer	サイドスペーサー			
* 3	32 00 00 NB 09 97 40	Heat Sink Unit	放熱板ユニット			
* 3-1	42 00 00 i D 10 52 10	Transistor 2SD 1052A	トランジスタ	} Inter-changeable { (Tr303)		
"	42 00 00 i C 19 83 00	" 2SC1983	"			
3-2	42 00 00 i L 00 02 70	Mica Base AC-229	マイカベース			
* 3-3	32 00 00 BA 08 02 50	Heat Sink	放熱板			
3-4	32 00 00 CB 07 28 80	Isolation Bush	絶縁ブッシュ		CR-400	
3-5	42 00 00 EA 02 60 80	Pan Head Screw M2.6×8(ZMC2-Y)	鉄ナベ小ネジ			
* 4	32 00 00 NA 07 59 00	Main Circuit Board	メインシート			R
* "	32 00 00 NA 07 59 10	"	"			U, C
* "	32 00 00 NA 07 59 20	"	"			A
* "	32 00 00 NA 07 59 30	"	"			G, B
* "	32 00 00 NA 07 59 40	" (Black model)	"	R-300B		G
* 5	32 00 00 NA 07 60 00	Tuner Circuit Board	チューナシート			U, C
* "	32 00 00 NA 07 60 10	"	"			R
* "	32 00 00 NA 07 60 20	"	"			A, B
* "	32 00 00 NA 07 60 30	" (Black model)	"	R-300B		G
* 6	42 00 00 GA 64 02 00	Power Transformer	電源トランス			U
* "	42 00 00 GA 64 03 00	"	"			G
* "	42 00 00 GA 64 09 00	"	"			A, B
* "	42 00 00 GA 64 44 00	"	"			C
* "	42 00 00 GA 64 04 00	"	"			R
7	42 00 00 LB 20 14 80	Voltage Selector	電圧切換器			R
8	42 00 00 CB 06 86 30	Cord Stopper SR-3P-4	コードストッパー			U, C
"	42 00 00 CB 07 27 50	" SR-4N-4	"			R, A, G, B
9	42 00 00 MG 00 07 80	Power Cord (Black) 2m 6A 250V	電源コード			R
"	42 00 00 MG 00 08 40	" 10A 125V	"			U, C
"	42 00 00 MG 00 09 20	" (Gray) 2.5m 7.5A 250V	"			A
"	42 00 00 MG 00 09 50	" 2m 2.5A 250V	"			G

* : New Part (新部品)

DESTINATION ABBREVIATIONS J:Japan, R:General, U:U.S.A, C:Canadian, B:British, G:North European, A:Australian

Ref. No.	Part No.	Description	(部 品 名)	Remarks	Common model	Markets
9	42:00:00 MG:00:10:00	Power Cord (Black) 2m 6A 300'500V	電源コード			B
10	42:00:00 LA:00:29:50	2P Terminal Board MA0092	2P中継端子台			A,G,B
11	42:00:00 LB:40:06:50	AC Outlet (double) M7013-A	ACアウトレット			R,U,C
* 12	32:00:00 NB:09:87:70	Tuning Unit	チューニングユニット			
13	32:00:00 AA:08:98:60	Spring for Dial	ダイヤルスプリング			
* 14	32:00:00 AA:60:53:90	Rail, Pointer	指針レール			
* 15	32:00:00 AA:60:54:40	Rear Panel	リヤパネル			R
* "	32:00:00 AA:60:54:50	"	"			U,C
* "	32:00:00 AA:60:54:60	"	"			A,B
* "	32:00:00 AA:60:54:70	"	"			G
* 16	32:00:00 AA:60:55:30	Radiator Holder	ラジエーターホルダー			
17	32:00:00 BA:07:94:60	Knob SW	SWツマミ		A-760	
* "	32:00:00 BA:08:01:80	" (Black model)	"	R-300B		G
* 18	32:00:00 BA:08:01:40	Knob	ツマミ			
* "	32:00:00 BA:08:01:70	" (Black model)	"	R-300B		G
* 19	32:00:00 BA:08:01:50	Knob, Tuning	チューニングツマミ			
* "	32:00:00 BA:08:02:20	" (Black model)	"	R-300B		G
20	42:00:00 CB:07:70:70	Dial String ϕ 0.39	ダイヤル糸			
21	32:00:00 CB:07:95:20	Hole Cap	ホールキャップ			
22	32:00:00 CB:08:97:90	Pulley, Variable Capacitor	バリコンプーリー			
23	32:00:00 CB:09:29:00	Extention Rod	延長ロッド			
24	32:00:00 CB:09:38:30	Button, Power	パワーボタン			
"	32:00:00 CB:09:38:70	" (Black model)	"	R-300B		G
25	42:00:00 CB:09:86:00	Leg	脚			
26	32:00:00 CB:09:86:40	Wheel Ass'y	滑車Ass'y			
* 27	32:00:00 CB:60:18:00	Holder, Dial Pointer	指針ホルダー			
* 28	32:00:00 CB:60:19:10	Clip	ブリッジクリップ			
* 29	32:00:00 CB:60:19:70	Holder, Antenna	アンテナホルダー			
* 30	42:00:00 CB:60:31:40	Reflector Tape	反射テープ			
31	32:00:00 CB:09:34:80	Speacer	スペーサー			
32	42:00:00 EZ:00:14:00	Screw, GND Terminal 3 \times 13.5	アース端子ネジ	MFNi II		
* 33	42:00:00 ED:04:06:00	Bind Head Screw 4 \times 60(ZMC2-Y)	バインド小ネジ			
34	42:00:00 ED:03:00:60	Bind Head Screw M3 \times 6(")	鉄バインド小ネジ			
35	42:00:00 EN:03:00:20	Bind Head Tapping Screw Type-II 3 \times 8 (ZMC2-Y)	鉄バインドタッピンネジ			
36	42:00:00 EN:03:00:50	" 3 \times 12 (ZMC2-Y)	"			
37	42:00:00 EK:05:00:20	Pan Head Tap Tyte Screw 3 \times 16(ZMC2-Y)	ナベタッパタイトネジ	B-Tyte		
38	42:00:00 EK:03:00:50	BW Head Tapping Screw Type-II 4 \times 8(ZMC2-Y)	鉄BWヘッドタッピンネジ			
39	42:00:00 ED:35:01:20	Bind Head Screw M5 \times 12(FCM3-BI)	鉄バインド小ネジ			
* 40	32:00:00 AA:60:60:90	Reflector	反射板			
* 41	32:00:00 AA:60:66:10	Weight, Dialpointer	ウェイト			
42	42:00:00 CB:06:88:80	Plastic Rivet (Black)	プラスチックリベット			
	42:00:00 BB:00:44:30	Connect Pin 2.5 Pitch (SHF-001T-08CS)	2.5ピッチコンタクトピン	Main Connector Ass'y		
	42:00:00 LB:30:07:20	Housing 2.5 Pitch (H3P-SHF)	2.5ピッチハウジング			
* 43	32:00:00 AA:60:54:30	Bottom Cover	ボトムカバー			
44	32:00:00 BB:06:94:50	LED Cover	LEDカバー			

* : New Part (新部品)

K-300 ■ PARTS LIST (Circuit Board)

Ref. No.	Part No.	Description	(部 品 名)	Remarks	Common model	Markets
※	32 00 00 NA 07 59 00	Main Circuit Board	メインシート			R
※	32 00 00 NA 07 59 10	"	"			U.C
※	32 00 00 NA 07 59 20	"	"			A
※	32 00 00 NA 07 59 30	"	"			G.B
※	32 00 00 NA 07 59 40	"	"	R-300B		G
C301 C302	42 00 00 UW 84 64 70	Electrolytic Capacitor 4.7 μ F 25V	ケミコン			
C303 C304	42 00 00 UW 86 71 00	" 10 μ F 50V	"			
C305 C306	42 00 00 UW 84 64 70	" 4.7 μ F 25V	"			
C307 C308	42 00 00 FA 81 32 20	Mylar Capacitor 0.0022 μ F 50V(K)	マイラーコン			
C309 C310	42 00 00 UW 84 72 20	Electrolytic Capacitor 22 μ F 25V	ケミコン			
C311 C312	42 00 00 FA 85 46 80	Mylar Capacitor 0.068 μ F 50V(J)	マイラーコン			
C313 C314	42 00 00 FA 85 43 30	" 0.033 μ F "	"			
C315 C316	42 00 00 FG 41 24 70	Ceramic Capacitor 470PF 50V(K)	セラコン			
C317 C318	42 00 00 UW 86 73 30	Electrolytic Capacitor 33 μ F 50V	ケミコン			
C319 C320	42 00 00 UW 85 82 20	" 220 μ F 35V	"			
C321 C322	42 00 00 FG 41 15 60	Ceramic Capacitor 56PF 50V(K)	セラコン			
C323 C324	42 00 00 FG 41 06 00	" 6PF "	"			
C325 C326	42 00 00 UW 86 81 00	Electrolytic Capacitor 100 μ F 50V	ケミコン			
C327	42 00 00 UW 86 64 70	" 4.7 μ F "	"			
C328	42 00 00 UW 86 61 00	" 1 μ F "	"			
C329	42 00 00 UW 86 64 70	" 4.7 μ F "	"			
C330	42 00 00 UW 86 71 00	" 10 μ F "	"			
C331 C332	42 00 00 FG 41 13 30	Ceramic Capacitor 33PF 50V(K)	セラコン			
C333 C334	42 00 00 FG 41 12 70	" 27PF "	"			
C335 -338	42 00 00 FA 81 44 70	Mylar Capacitor 0.047 μ F 50V(K)	マイラーコン			
C339	42 00 00 FH 23 41 00	Ceramic Capacitor 0.01 μ F 500V YZ(P)	セラコン			
※ C340 C341	42 00 00 FZ 00 24 40	Electrolytic Capacitor 5600 μ F 45V	ブロックケミコン			
C342	42 00 00 UW 86 71 00	" 10 μ F 50V	ケミコン			
C343	42 00 00 UW 86 62 20	" 2.2 μ F "	"			
C344	42 00 00 UW 84 74 70	" 47 μ F 25V	"			
C345	42 00 00 UW 86 72 20	" 22 μ F 50V	"			
C346	42 00 00 UW 81 73 30	" 33 μ F 6.3V	"			
C347	42 00 00 UW 82 74 70	" 47 μ F 10V	"			
C348	42 00 00 UW 84 74 70	" 47 μ F 25V	"			
※ C349	42 00 00 Fi 34 41 00	Ceramic Capacitor 0.01 μ F MY(DE)	セラコン			R,U,C
※	42 00 00 FR 16 41 00	Metallized Paper 0.01 μ F AC250V	MPコン			A,G,B
C351 C352	42 00 00 FA 81 32 20	Mylar Capacitor 0.0022 μ F 50V(K)	マイラーコン			
L301 L302	42 00 00 GD 90 03 40	Output Coil 1.5 μ H	アウトプットコイル			
R301 R302	42 00 00 HJ 35 51 00	Carbon Resistor RD25, SM-8 100 Ω	カーボン抵抗			
R303 R304	42 00 00 HJ 35 91 00	" 1M Ω	"			
R305 R306	42 00 00 HJ 35 84 70	" 470K Ω	"			
R307 -310	42 00 00 HJ 35 58 20	" 820 Ω	"			
R311 R312	42 00 00 HJ 35 84 70	" 470K Ω	"			
R313 -316	42 00 00 HJ 35 68 20	" 8.2K Ω	"			
R317 R318	42 00 00 HJ 35 54 70	" 470 Ω	"			
R319 R320	42 00 00 HJ 35 61 50	" 1.5K Ω	"			
R321 R322	42 00 00 HJ 35 71 80	" 18K Ω	"			
R323 R324	42 00 00 HJ 35 52 20	" 220 Ω	"			
R325 R326	42 00 00 HJ 35 62 20	" 2.2K Ω	"			
R327 R328	42 00 00 HV 55 43 30	Flame proof Carbon Resistor 33 Ω	不燃化カーボン抵抗			

※ : New Part (新部品)

Ref. No.	Part No.	Description	(部 品 名)	Remarks	Common model	Markets
* R329 R330	42 00 00 HZ 00 14 70	Dual Metal Plate Resistor RGC33 3P 0.47Ω	デュアル金属板抵抗			
* R331	42 00 00 HV 55 41 50	Flame Proof Carbon Resistor 15Ω	不燃化カーボン抵抗			
R333 R334	42 00 00 HJ 35 71 80	Carbon Resistor RD25, SM-8 18KΩ	カーボン抵抗			
R335 R336	42 00 00 HJ 35 64 70	" 4.7KΩ	"			
R337 R338	42 00 00 HJ 35 71 80	" 18KΩ	"			
R339 R340	42 00 00 HJ 35 72 20	" 22KΩ	"			
R341 R342	42 00 00 HL 81 34 70	Oxide Metal Film Resistor 1P 4.7Ω	酸化抵抗			
R343 R344	42 00 00 HJ 35 81 00	Carbon Resistor RD25, SM-8 100KΩ	カーボン抵抗			
* R345 R346	42 00 00 HL 82 52 20	Oxide Metal Film Resistor 2P 220Ω	酸化抵抗			
* R347	42 00 00 HV 55 32 20	Flame Proof Carbon Resistor (J) 2.2Ω	不燃化カーボン抵抗			
R349 R350	42 00 00 HJ 35 61 80	Carbon Resistor RD25, SM-8 1.8KΩ	カーボン抵抗			
R351	42 00 00 HL 82 58 20	Oxide Metal Film Resistor 2P 820Ω	酸化抵抗			
R352	42 00 00 HJ 35 64 70	Carbon Resistor RD25, SM-8 4.7KΩ	カーボン抵抗			
R353	42 00 00 HV 55 58 20	Flame Proof Carbon Resistor (J) 820Ω	不燃化カーボン抵抗			
R354	42 00 00 HJ 35 71 50	Carbon Resistor RD25, SM-8 15KΩ	カーボン抵抗			
R355	42 00 00 HJ 35 83 90	" 390KΩ	"			
R356	42 00 00 HJ 35 73 90	" 39KΩ	"			
R357	42 00 00 HJ 35 84 70	" 470KΩ	"			
R358	42 00 00 HJ 35 76 80	" 68KΩ	"			
R359	42 00 00 HJ 35 64 70	" 4.7KΩ	"			
R360	42 00 00 HJ 35 71 00	" 10KΩ	"			
R361	42 00 00 HJ 35 78 20	" 82KΩ	"			
R362	42 00 00 HG 30 92 20	Carbon Resistor RD50S (J) 2.2MΩ	"			
R363 R364	42 00 00 HJ 35 55 60	Carbon Resistor RD25, SM-8 560Ω	"			
* VR301	42 00 00 HS 31 11 80	Variable Resistor CS 30KB×2	VR2連11点クリック	Inter- changeable		
* "	42 00 00 HS 41 11 20	" "	"			
* VR302	42 00 00 HS 31 13 40	" CT 20KG×2	"			
* "	42 00 00 HS 41 11 10	" " 20KW×2	"			
TR301 TR302	42 00 00 i C 22 40 00	Transistor 2SC2240 (GR,BL)	トランジスタ			
"	42 00 00 i C 20 88 00	" 2SC2088 (BL,V)	"			
TR304 306	42 00 00 i C 23 20 10	" 2SC2320 (E,F)	"			
TR307	42 00 00 i A 09 99 10	" 2SA999 (E,F)	"			
TR308	42 00 00 i C 23 20 10	" 2SC2320 (E,F)	"			
TR309	42 00 00 i A 09 99 10	" 2SA999 (E,F)	"			
D301 D302	42 00 00 i F 00 00 40	Diode IS1555	ダイオード			
D303 D304	42 00 00 i H 00 07 10	" W06C	"			
* D305	42 00 00 i F 00 25 10	Zener Diode HZ-24-3	ツェナーダイオード			
* D306	42 00 00 i F 00 25 00	" HZ-16-2	"			
* D307 D308	42 00 00 i F 00 24 90	" HZ-9A-2	"			
D309	42 00 00 i H 00 07 10	Diode W06C	ダイオード			
D310	42 00 00 i F 00 00 40	" IS1555	"			
* D311	42 00 00 i H 00 10 30	Bridge Diode 3D4B41	ダイオードブリッジ	Inter- changeable		
* "	42 00 00 i H 00 10 70	" DBA-30C	"			
IC301	42 00 00 i G 04 00 00	IC NJM4560	IC			
* IC302	42 00 00 i G 04 72 00	" STK-3042 II	"			
* IC303	42 00 00 i G 04 70 00	" STK-2030	"			

* : New Part (新部品)

Ref. No.	Part No.	Description	(部 品 名)	Remarks	Common model	Markets
*	32:00:00 NA:07:60:00	Tuner Circuit Board	チューナシート			U,C
*	32:00:00 NA:07:60:10	"	"			R
*	32:00:00 NA:07:60:20	"	"			A,B
*	32:00:00 NA:07:60:30	"	"			G
C101	42:00:00 FS:25:23:30	Semi-Conductive Ceramic Capacitor 330PF 50V (J)	フォーミングSAコン			
C102	42:00:00 FG:41:11:00	Ceramic Capacitor 10PF 50V (K)	セラコン			
C103 C104	42:00:00 UW:83:71:00	Electrolytic Capacitor 10 μ F 16V	ケミコン			
C105 -118	42:00:00 Fi:17:41:00	Ceramic Capacitor 0.01 μ F	セラコン			
C109 C110	42:00:00 Fi:17:14:70	" 47PF	"			
C111	42:00:00 UW:81:81:00	Electrolytic Capacitor 100 μ F 6.3V	ケミコン			
C112	42:00:00 Fi:17:41:00	Ceramic Capacitor 0.01 μ F	セラコン			
C113 C114	42:00:00 FS:25:24:70	Semi-Conductive Ceramic Capacitor 470PF 50V (J)	フォーミングSAコン			
C115 C116	42:00:00 FS:25:22:70	" 270PF "	"			
C117	42:00:00 Fi:17:34:70	Ceramic Capacitor 0.0047 μ F	セラコン			
C118 C119	42:00:00 Fi:17:41:00	" 0.01 μ F	"			
C120	42:00:00 UW:83:71:00	Electrolytic Capacitor 10 μ F 16V	ケミコン			
C121	42:00:00 UW:86:52:20	" 0.22 μ F 50V	"			
C122	42:00:00 Fi:17:41:00	Ceramic Capacitor 0.01 μ F	セラコン			
C123	42:00:00 UW:86:61:00	Electrolytic Capacitor 1 μ F 50V	ケミコン			
C124	42:00:00 FS:25:26:80	Semi-Conductive Ceramic Capacitor 680PF 50V (J)	フォーミングSAコン			
C125	42:00:00 FA:85:41:00	Mylar Capacitor 0.01 μ F 50V (J)	マイラーコン			
C126	42:00:00 Fi:17:41:00	Ceramic Capacitor 0.01 μ F	セラコン			
C127 C128	42:00:00 Fi:17:34:70	" 0.0047 μ F	"			
C129 C130	42:00:00 Fi:17:32:20	" 0.0022 μ F	"			
C131 C132	42:00:00 UW:86:61:00	Electrolytic Capacitor 1 μ F 50V	ケミコン			
C133	42:00:00 Fi:17:14:70	Ceramic Capacitor 47PF	セラコン			
C134 -136	42:00:00 Fi:17:41:00	" 0.01 μ F	"			
C137	42:00:00 UW:83:71:00	Electrolytic Capacitor 10 μ F 16V	ケミコン			
C138 C139	42:00:00 Fi:17:41:00	Ceramic Capacitor 0.01 μ F	セラコン			
C140	42:00:00 UW:83:71:00	Electrolytic Capacitor 10 μ F 16V	ケミコン			
C141	42:00:00 UW:86:61:00	" 1 μ F 50V	"			
C142 C143	42:00:00 Fi:17:41:00	Ceramic Capacitor 0.01 μ F	セラコン			
*	C144	42:00:00 Fi:17:42:20	" 0.022 μ F	"		
C145	42:00:00 Fi:17:24:70	" 470PF	"			
C146	42:00:00 Fi:17:21:00	" 100PF	"			
C147	42:00:00 Fi:17:32:20	" 0.0022 μ F	"			
C148 C149	42:00:00 UW:86:61:00	Electrolytic Capacitor 1 μ F 50V	ケミコン			
C150	42:00:00 UW:83:71:00	" 10 μ F 16V	"			
C151	42:00:00 Fi:17:41:00	Ceramic Capacitor 0.01 μ F	セラコン			
C152	42:00:00 UW:86:61:00	Electrolytic Capacitor 1 μ F 50V	ケミコン			
C153 C154	42:00:00 UW:84:61:00	" 1 μ F 25V	"			
C155 C156	42:00:00 FG:41:22:20	Ceramic Capacitor 220PF 50V (K)	セラコン			
C157 C158	42:00:00 FG:41:21:00	" 100PF "	"			
C159 C160	42:00:00 UW:81:81:00	Electrolytic Capacitor 100 μ F 6.3V	ケミコン			
C161 C162	42:00:00 FA:85:45:60	Mylar Capacitor 0.056 μ F 50V (J)	マイラーコン			
C163 C164	42:00:00 FA:85:41:60	" 0.016 μ F 50V (J)	"			
C165 C166	42:00:00 FG:41:11:00	Ceramic Capacitor 10PF 50V (K)	セラコン			
C167 C168	42:00:00 FG:41:13:30	" 33PF "	"			
C169 C170	42:00:00 UW:86:64:70	Electrolytic Capacitor 4.7 μ F 50V	ケミコン			
*	C171 C172	42:00:00 FA:81:35:60	Mylar Capacitor 0.0056 μ F 50V (K)	マイラーコン		
C173 C174	42:00:00 FG:41:22:70	Ceramic Capacitor 270PF 50V (K)	セラコン			
C175 C176	42:00:00 FA:85:42:20	Mylar Capacitor 0.022 μ F 50V (J)	マイラーコン			
C177	42:00:00 FG:44:41:00	Ceramic Capacitor 0.01 μ F 50V (Z)	セラコン			

* : New Part (新部品)

Copyright © 1994 Kenwood

Ref. No.	Part No.	Description	(部 品 名)	Remarks	Common model	Markets
C178	42:00:00 UW 84 74 70	Electrolytic Capacitor 47 μ F 25V	ケミコン			
C179	42:00:00 Fi 17 41 00	Ceramic Capacitor 0.01 μ F	セラコン			
C180	42:00:00 UW 83 71 00	Electrolytic Capacitor 10 μ F 16V	ケミコン			
VC101	42:00:00 FY 00:01 10	Trimmer Capacitor TRC-1T8 \times 10 8P	トリマーコン			
T101	42:00:00 GE 10 03 50	AM ANTENNA Coil GE10035	AM ANTコイル			
T102	42:00:00 GE 10 01 50	AM OSC Coil GE6013	AM OSCコイル			
T103	42:00:00 GE 10 04 70	AM IF Coil GE10047	AM IFコイル			
T104	42:00:00 GE 10 03 30	FM Discriminator Coil GE10033	FMディスクリコイル			
L 101 104	42:00:00 GE 30 01 50	RF Inductor 8.2mH	RFインダクター			
CF101 CF102	42:00:00 GG 00:04 80	Ceramic Filter SFE10.7MA8-Z	セラミックフィルター			R.U.A.C.B
"	42:00:00 GG 00:04 30	" CFM-107S-12C	"			G
CF103	42:00:00 GG 00:04 40	" SFZ-450G	"			
R101	42:00:00 HJ 35 53 30	Carbon Resistor RD25,SM-8 330 Ω	カーボン抵抗			R.U.A.C.B
"	42:00:00 HJ 35 51 00	" 100 Ω	"			G
R102	42:00:00 HJ 35 63 30	" 3.3K Ω	"			
R103	42:00:00 HJ 35 61 80	" 1.8K Ω	"			
R104	42:00:00 HJ 35 53 30	" 330 Ω	"			R.U.A.C.B
"	42:00:00 HJ 35 54 70	" 470 Ω	"			G
R105	42:00:00 HJ 35 51 00	" 100 Ω	"			
R106	42:00:00 HJ 35 53 30	" 330 Ω	"			R.U.A.C.B
"	42:00:00 HJ 35 54 70	" 470 Ω	"			G
R107 R108	42:00:00 HJ 35 52 20	" 220 Ω	"			
R109 111	42:00:00 HJ 35 66 80	" 6.8K Ω	"			
R112	42:00:00 HJ 35 52 20	" 220 Ω	"			
R113	42:00:00 HJ 35 71 00	" 10K Ω	"			G
"	42:00:00 HJ 35 71 50	" 15K Ω	"			R.U.A.C.B
R114	42:00:00 HJ 35 73 30	" 33K Ω	"			
R115 118	42:00:00 HJ 35 74 80	" 47K Ω	"			
R119 122	42:00:00 HJ 35 71 00	" 10K Ω	"			
R123 R124	42:00:00 HJ 35 81 00	" 100K Ω	"			
R125 R126	42:00:00 HJ 35 72 20	" 22K Ω	"			
R127 R128	42:00:00 HJ 35 61 00	" 1K Ω	"			
R129	42:00:00 HJ 35 71 50	" 15K Ω	"			
R130	42:00:00 HJ 35 72 20	" 22K Ω	"			
R131	42:00:00 HJ 35 61 00	" 1K Ω	"			
R132	42:00:00 HJ 35 74 70	" 47K Ω	"			
R133 R134	42:00:00 HJ 35 42 20	" 22 Ω	"			
R135 R136	42:00:00 HJ 35 63 30	" 3.3K Ω	"			
R137 R138	42:00:00 HJ 35 66 80	" 6.8K Ω	"			
R139 142	42:00:00 HJ 35 71 00	" 10K Ω	"			
R143	42:00:00 HJ 35 62 20	" 2.2K Ω	"			
R144	42:00:00 HJ 35 84 70	" 470K Ω	"			
R145 R146	42:00:00 HJ 35 71 00	" 10K Ω	"			
R147	42:00:00 HJ 35 52 20	" 220 Ω	"			
R148	42:00:00 HJ 35 76 80	" 68K Ω	"			
R149	42:00:00 HJ 35 81 00	" 100K Ω	"			
R150 R151	42:00:00 HJ 35 71 00	" 10K Ω	"			
R152	42:00:00 HJ 35 74 70	" 47K Ω	"			

* : New Part (新部品)

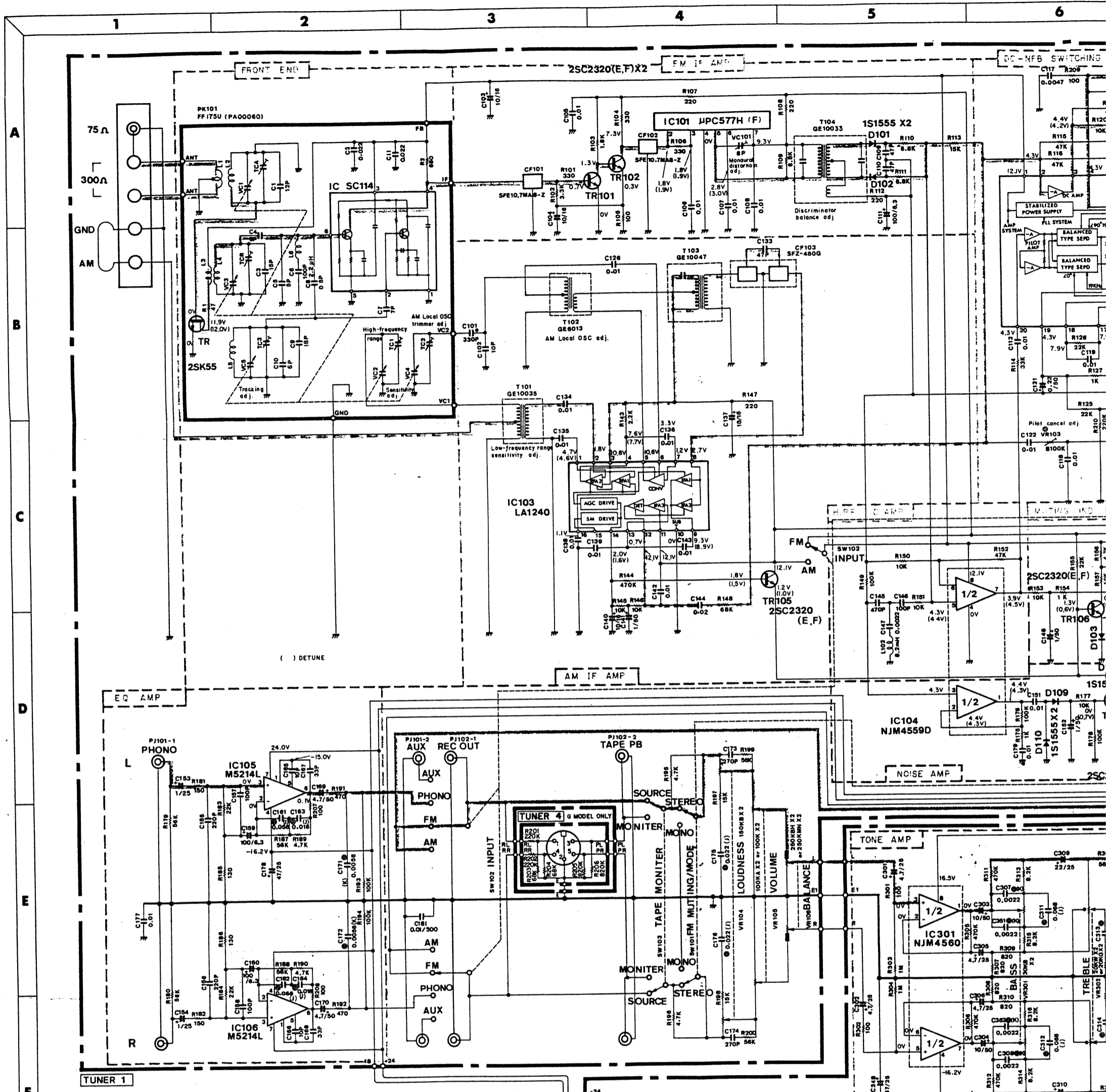
Ref. No.	Part No.	Description	(部 品 名)	Remarks	Common model	Markets
R153	42:00:00 HJ 35:71:00	Carbon Resistor RD25 SM-8 10K Ω	カーボン抵抗			
R154	42:00:00 HJ 35:64:00	" 1K Ω	"			
R155	42:00:00 HJ 35:72:20	" 22K Ω	"			
R156	42:00:00 HJ 35:64:70	" 4.7K Ω	"			
R157	42:00:00 HJ 35:71:00	" 10K Ω	"			
R158	42:00:00 HJ 35:51:00	" 100 Ω	"			
R159 R160	42:00:00 HJ 35:44:70	" 47 Ω	"			
R161	42:00:00 HJ 35:61:00	" 1K Ω	"			
R162	42:00:00 HJ 35:71:00	" 10K Ω	"			
R163	42:00:00 HJ 35:68:20	" 8.2K Ω	"			
R164	42:00:00 HJ 35:62:20	" 2.2K Ω	"			
R165	42:00:00 HJ 35:74:70	" 47K Ω	"			
R166	42:00:00 HJ 35:72:20	" 22K Ω	"			
R167	42:00:00 HJ 35:62:20	" 2.2K Ω	"			
R168	42:00:00 HJ 35:72:20	" 22K Ω	"			
R169	42:00:00 HJ 35:81:00	" 100K Ω	"			
R170	42:00:00 HJ 35:84:70	" 470K Ω	"			
R171	42:00:00 HJ 35:62:70	" 2.7K Ω	"			
R172	42:00:00 HJ 35:62:20	" 2.2K Ω	"			
R173	42:00:00 HJ 35:61:50	" 1.2K Ω	"			
R174	42:00:00 HJ 35:73:30	" 33K Ω	"			
R175	42:00:00 HJ 35:61:00	" 1K Ω	"			
R176	42:00:00 HJ 35:81:00	" 100K Ω	"			
R177	42:00:00 HJ 35:71:00	" 10K Ω	"			
R178	42:00:00 HJ 35:81:00	" 100K Ω	"			
R179 R180	42:00:00 HJ 35:75:60	" 56K Ω	"			
R181 R182	42:00:00 HJ 35:51:50	" 150 Ω	"			
R183 R184	42:00:00 HJ 35:72:20	" 22K Ω	"			
R185 R186	42:00:00 HJ 35:51:30	" 130 Ω	"			
R187 R188	42:00:00 HJ 35:75:60	" 56K Ω	"			
R189 R190	42:00:00 HJ 35:64:70	" 4.7K Ω	"			
R191 R192	42:00:00 HJ 35:54:70	" 470 Ω	"			
R193 R194	42:00:00 HJ 35:81:00	" 100K Ω	"			
R195 R196	42:00:00 HJ 35:64:70	" 4.7K Ω	"			
R197 R198	42:00:00 HJ 35:71:50	" 15K Ω	"			
R199 R200	42:00:00 HJ 35:75:60	" 56K Ω	"			
R201 R202	42:00:00 HJ 35:82:20	" 220K Ω	"			
R203 R204	42:00:00 HJ 35:76:80	" 68K Ω	"			
R205 R206	42:00:00 HJ 35:88:20	" 820K Ω	"			
R207 -209	42:00:00 HJ 35:51:00	" 100 Ω	"			
R210	42:00:00 HJ 35:82:20	" 220K Ω	"			
R211	42:00:00 HJ 35:61:20	" 1.2K Ω	"			
R212	42:00:00 HJ 35:73:30	" 33K Ω	"			
VR102	42:00:00 HT 37:00:20	Semi Variable Resistor EVN-K4A B10K Ω	半固定VR	} Inter- changeable		
"	42:00:00 HT 77:00:60	" KVSF8-7PNFX B10K Ω	"			
VR103	42:00:00 HT 37:00:30	" EVN-K4A B100K Ω	"			
"	42:00:00 HT 77:00:90	" KVSF8-7PNFX B100K Ω	"			
TR101 -106	42:00:00 I C 23:20:10	Transistor 2SC2320 (E,F)	トランジスタ			
TR107 -109	42:00:00 I A 09:99:10	" 2SA999 (E,F)	"			
TR110	42:00:00 I C 23:20:10	" 2SA2320 (E,F)	"			
TR111 TR112	42:00:00 I A 09:99:10	" 2SA999 (E,F)	"			

* : New Part (新部品)

Ref. No.	Part No.		Description	(部 品 名)	Remarks	Common model	Markets
* TR113	42:00:00	i D:10:52:00	Transistor 2SD1052A	トランジスタ	} Inter-changeable		
"	42:00:00	i C:19:83:00	" 2SC1983	"			
D101 D102	42:00:00	i F:00:00:40	Diode IS1555	ダイオード			
D111	42:00:00	i F:00:14:80	LED LS003E	LED指針			
* D112	42:00:00	i F:00:24:60	" (RED) SLJ265UR	LED (アカ)			
D113	42:00:00	i F:00:00:40	Diode IS1555	ダイオード	} Inter-changeable		
	42:00:00	i F:00:00:67	" IS2473	"			
IC101	42:00:00	i G:03:45:00	IC "PC577H(F)	IC			
IC102	42:00:00	i G:02:92:00	" iG02920	"			
IC103	42:00:00	i G:03:17:00	" LA1240	"			
IC104	42:00:00	i G:03:96:00	" NJM4559D	"			
IC105 IC106	42:00:00	i G:03:49:00	" M5214L	"			
* SW101	42:00:00	KA:80:23:60	Push Switch NS 4 Circuit-2 Point	プッシュSW			
* SW102	42:00:00	KA:50:16:00	Rotary Switch SRZ-S 4Circuit-4 Point	ロータリーSW			
* SW103	42:00:00	KA:80:23:50	Push Switch NS 2 Circuit-2 Point	プッシュSW			
* PJ101 PJ102	42:00:00	LB:40:08:10	Pin Jack 4P	4Pピンジャック			
* PK101	42:00:00	PA:00:06:00	Front End Pack FF175U	フロントエンドパック			
	42:00:00	LA:00:27:70	5P Antenna Terminal	5P ANT端子板			
	42:00:00	LB:50:03:80	DIN Connector Socket M0086	DINコネクターソケット			
	32:00:00	BB:06:83:70	Metal Fitting	アース金具			
	32:00:00	BA:07:72:90	Heat Sink	放熱板			
	42:00:00	EN:03:00:10	Bind Head Tapping Screw 3×6 (ZMC2-Y)	鉄バインドタッピンネジ	Type-II		
* 32:00:00	BB:06:94:60		IC Shield Cover	ICシールド金具			
* 32:00:00	AA:60:69:30		Shield Plate	シールド板			

* : New Part (新部品)

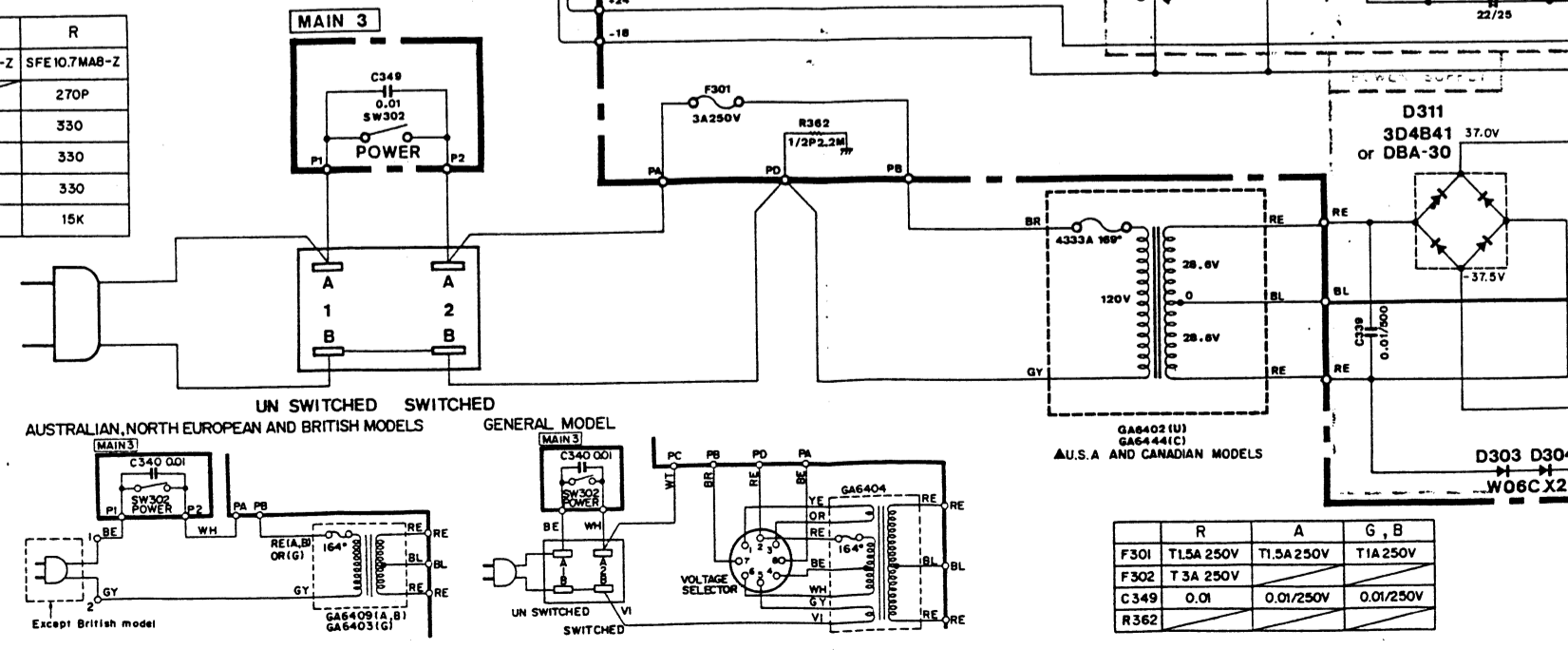
SCHEMATIC DIAGRAM



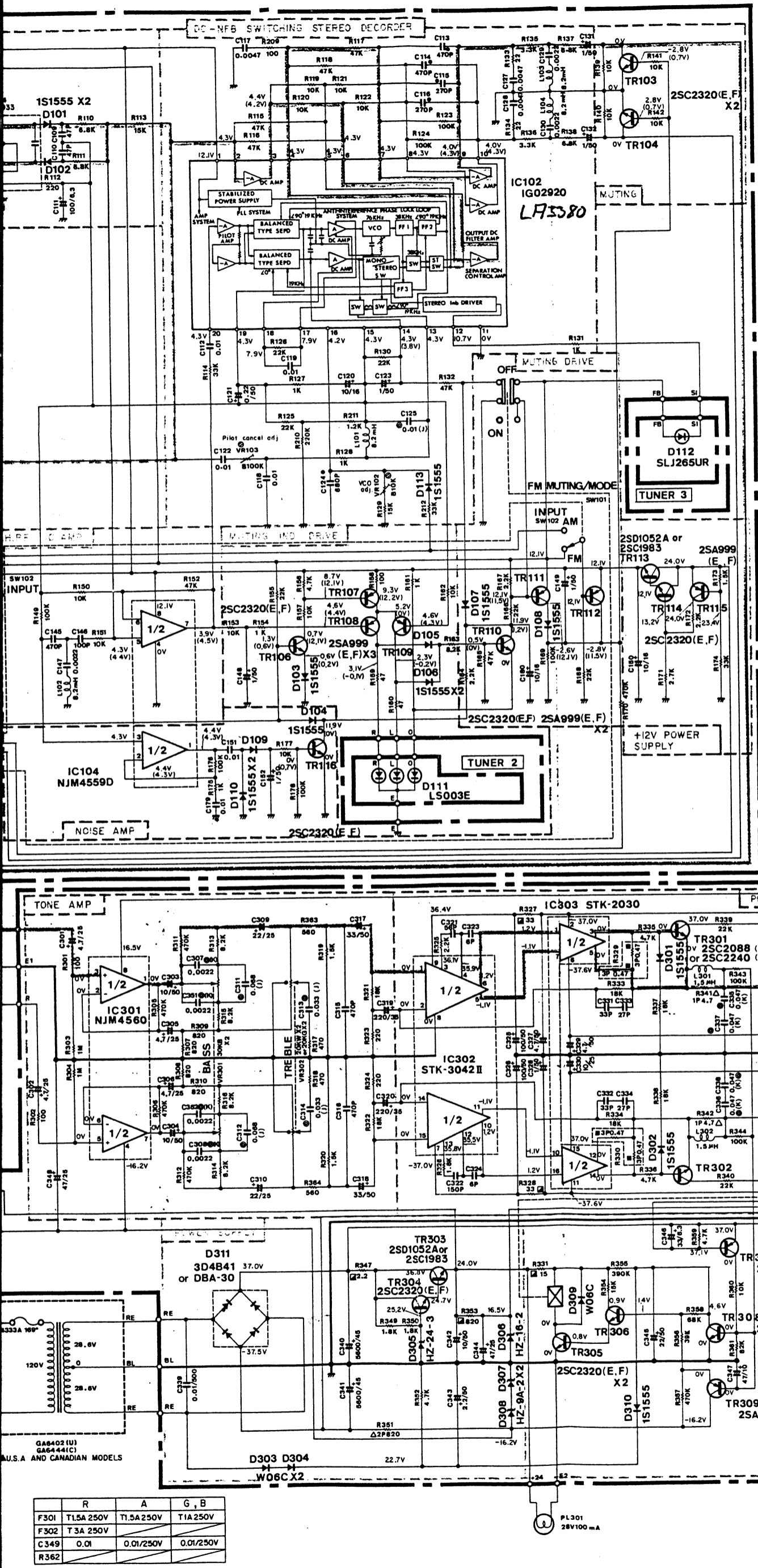
	A	G	B	R
CF101	SFE10.7MAB-Z	CFM-10.75-12C	SFE10.7MAB-Z	SFE10.7MAB-Z
CF102				
C115				270P
C116				
R101	330	100	330	330
R104	330	470	330	330
R106	330	470	330	330
R113	15K	10K	15K	15K

This schematic diagram is for U.S. and Canadian models. As the following parts and values differ from each model, so refer to the corresponding column.

- U.....USA model
- C.....Canadian model
- A.....Australian model
- B.....British model
- R.....General model
- G.....North European model



	R	A	G, B
F301	T1.5A 250V	T1.5A 250V	T1A 250V
F302	T 3A 250V		
C349	0.01	0.01/250V	0.01/250V
R362			

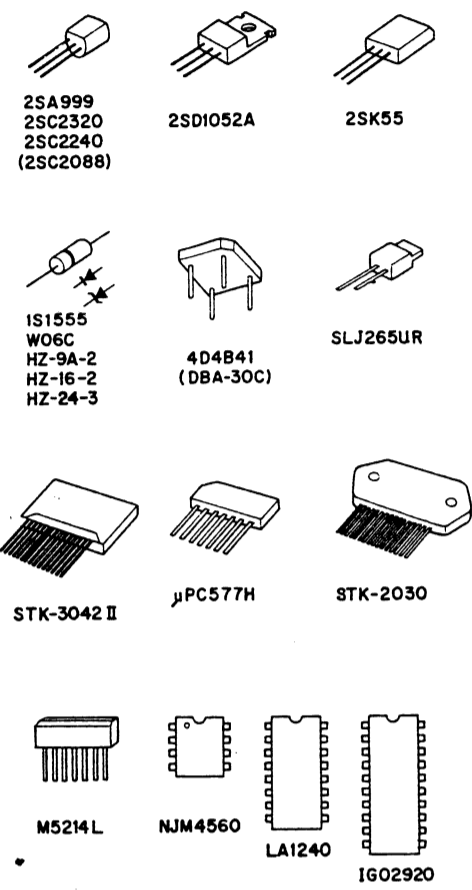


RESISTOR

REMARKS	PARTS NAME
NO MARK	CARBON RESISTOR
▲	METAL OXIDE FILM RESISTOR
⊙	SEMI VARIABLE RESISTOR
⊠	FIRE PROOF CARBON RESISTOR
■	METAL FILM RESISTOR PLATE TYPE

CAPACITOR

REMARKS	PARTS NAME
NO MARK	CERAMIC CAPACITOR
•	S.B.L.S.A. CAPACITOR
⊙	MYLAR CAPACITOR



GA8402 (U)
GA5441 (C)
U.S.A. AND CANADIAN MODELS

	R	A	G, B
F301	T1.5A 250V	T1.5A 250V	T1A 250V
F302	T 3A 250V		
C349	0.01	0.01/250V	0.01/250V
R362			

