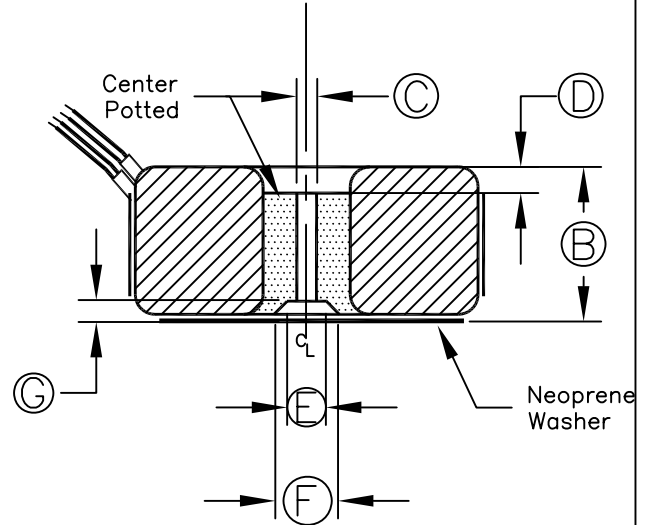
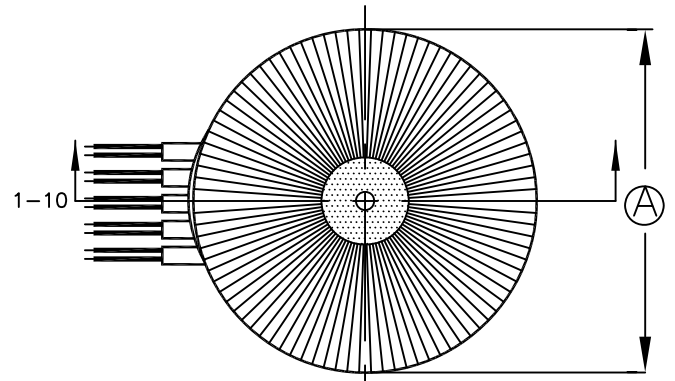
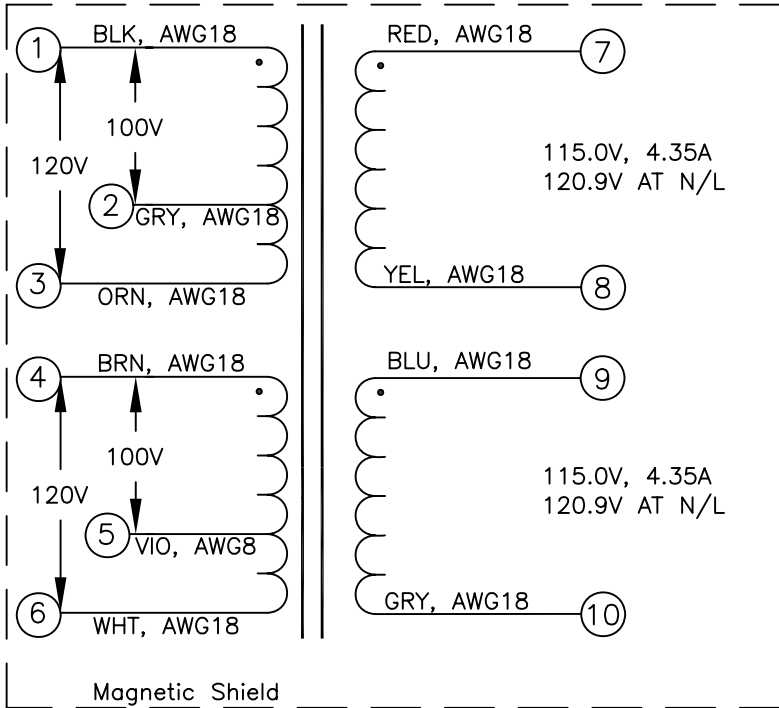


# PLITRON MEDICAL ISOLATION

POWER:	VA	1000
TEMPERATURE RISE:	°C	*47
EFFICIENCY:	%	*95
WEIGHT:	kg	*8.4
FREQUENCY:	Hz	50-60



REF	DIMENSIONS			
	Unit:	(nom)	(max)	TOLERANCE
A	mm	*165		
B	mm	* 80		
C	mm	12.7		
D	mm	19		±3
E	mm	22		
F	mm	44		
G	mm	8		

## LABEL

LEADS	LENGTH ±10mm	TERMINATION +3/-0mm
1-10	400	STRIP 6mm

PLITRON MANUFACTURING INC.  
 6166-X0-00 DATE CODE VA:1000 F:50/60Hz  
 INPUT:2X(0-100-120)VAC CLASS F-155C  
 MEDICAL ISOLATION TRANSFORMER

CE  
 SERIES 2000  
 RoHS  
 C US

## NOTES:

1. UL Recognised Component under UL File E156800, Vol.1, Sect. 4, Series 2000, to UL 60601-1, 1st Edition and CAN/CSA C22.2 No. 601.1-M90
2. UL Recognized Class F (155°C) Insulation System.
3. All stranded leads are rated for 125°C, 600V minimum.
4. Hipot test 2/5 to 7/9 at 4 kV for 1 minute.
5. Leads exit with no specific sequence.

\* Calculated value

V=VAC rms A=I rms

C/T= Center Tap

N/L= No load



This document is the property of Plitron Manufacturing Inc. It is not to be copied or transmitted or used as the basis for manufacturing of apparatus without written permission.  
 Copyright Plitron Manufacturing Inc.

## TOROIDAL POWER TRANSFORMER

DESIGN BY: E.TAM

DATE: 04/29/1997

DRAWN BY: R.C.

DATE: 07/25/2008

CHECKED BY:

DATE:

APPROVED BY:

DATE:

DWG NO. 6166-X0-00

SCALE N/A SHEET 1 OF 1