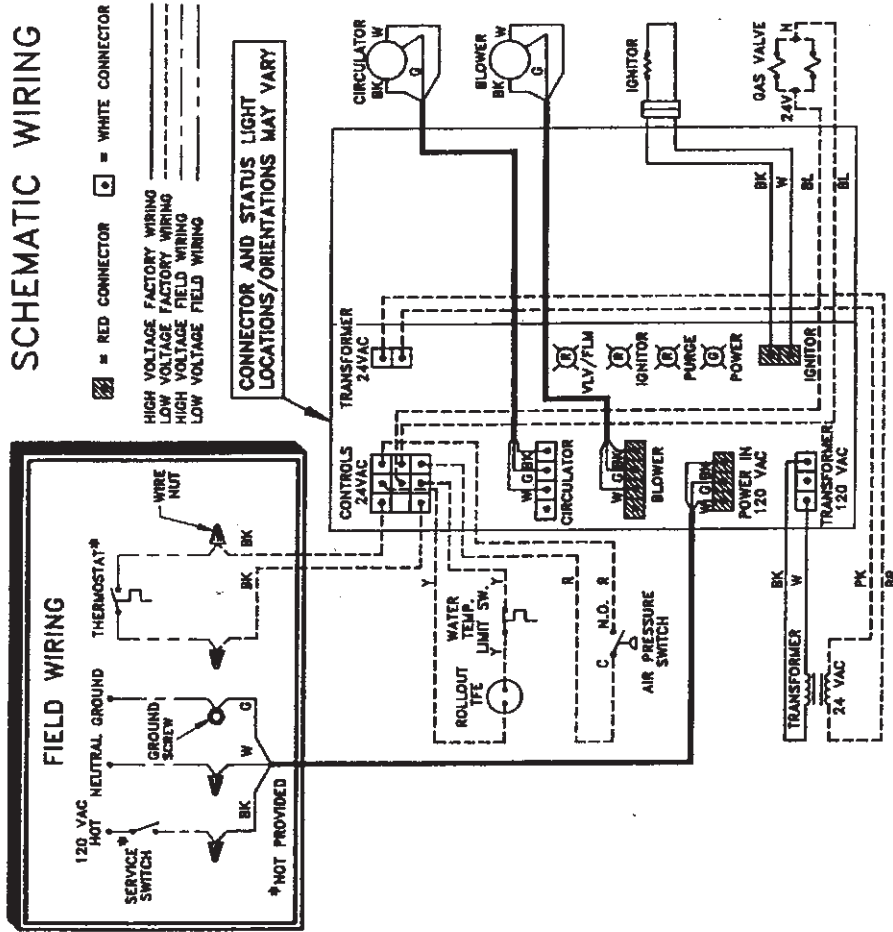
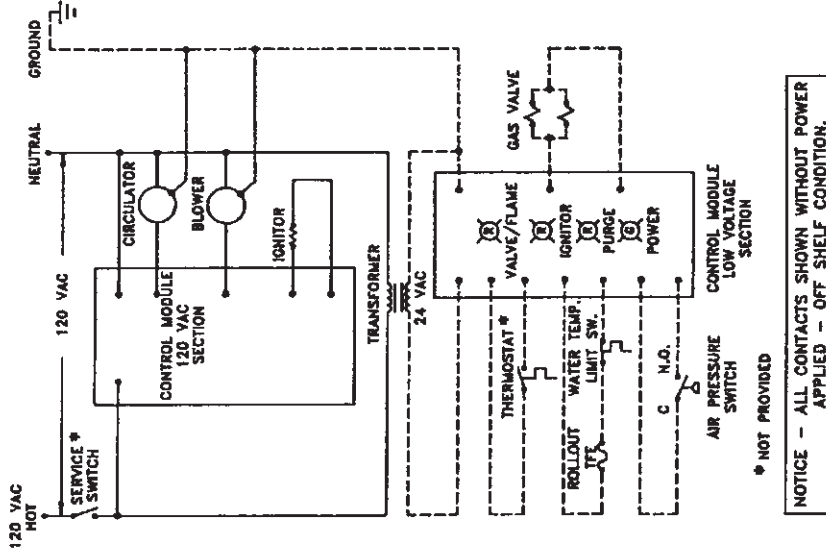


SCHEMATIC WIRING



LADDER WIRING



WARNING

ELECTRICAL SHOCK HAZARD, CAN CAUSE SEVERE INJURY OR DEATH. DISCONNECT POWER BEFORE INSTALLING AND/OR SERVICING.

NOTES:

- ALL WIRING MUST BE INSTALLED IN ACCORDANCE WITH:
 - U.S.A. - N.E.C. AND ANY OTHER NATIONAL, STATE, OR LOCAL CODE REQUIREMENTS HAVING JURISDICTION.
 - CANADA - C.S.A., C22.1 C.E.C. PART 1 AND ANY OTHER NATIONAL, PROVINCIAL, OR LOCAL CODE REQUIREMENTS HAVING JURISDICTION.
- ALL SAFETY CIRCUIT WIRING MUST BE:
 - U.S.A. - N.E.C. CLASS 1.
 - CANADA - C.S.A. C22.1 C.E.C. PART 1.
- THERMOSTAT ANTICIPATOR SETTING (SINGLE ZONE):
SEE LABEL ON CONTROL MODULE.
- IF ORIGINAL ROLLOUT TFE WIRE AS SUPPLIED WITH THE APPLIANCE MUST BE REPLACED, TYPE 200°C WIRE OR ITS EQUIVALENT MUST BE USED. IF ANY OTHER ORIGINAL WIRE AS SUPPLIED WITH THE APPLIANCE MUST BE REPLACED, TYPE 90°C WIRE OR ITS EQUIVALENT MUST BE USED.
- FOR MULTIPLE ZONING USE EITHER ZONE VALVES OR CIRCULATORS. REFER TO THE COMPONENT MANUFACTURER'S INSTRUCTIONS FOR APPLICATION AND WIRING.
- REFER TO CONTROL COMPONENT INSTRUCTIONS PACKED WITH THE BOILER FOR APPLICATION INFORMATION.

WIRING DIAGRAM FOR HE II (SERIES 1)
 • INTEGRATED BOILER CONTROL SYSTEM
 • NATURAL OR PROPANE GAS BOILERS
 • FORCED HOT WATER

WEIL-McLAIN
 A Division of The Marley Company
 Michigan City, Indiana 46360

PART NUMBER 550-224-053/0691WM