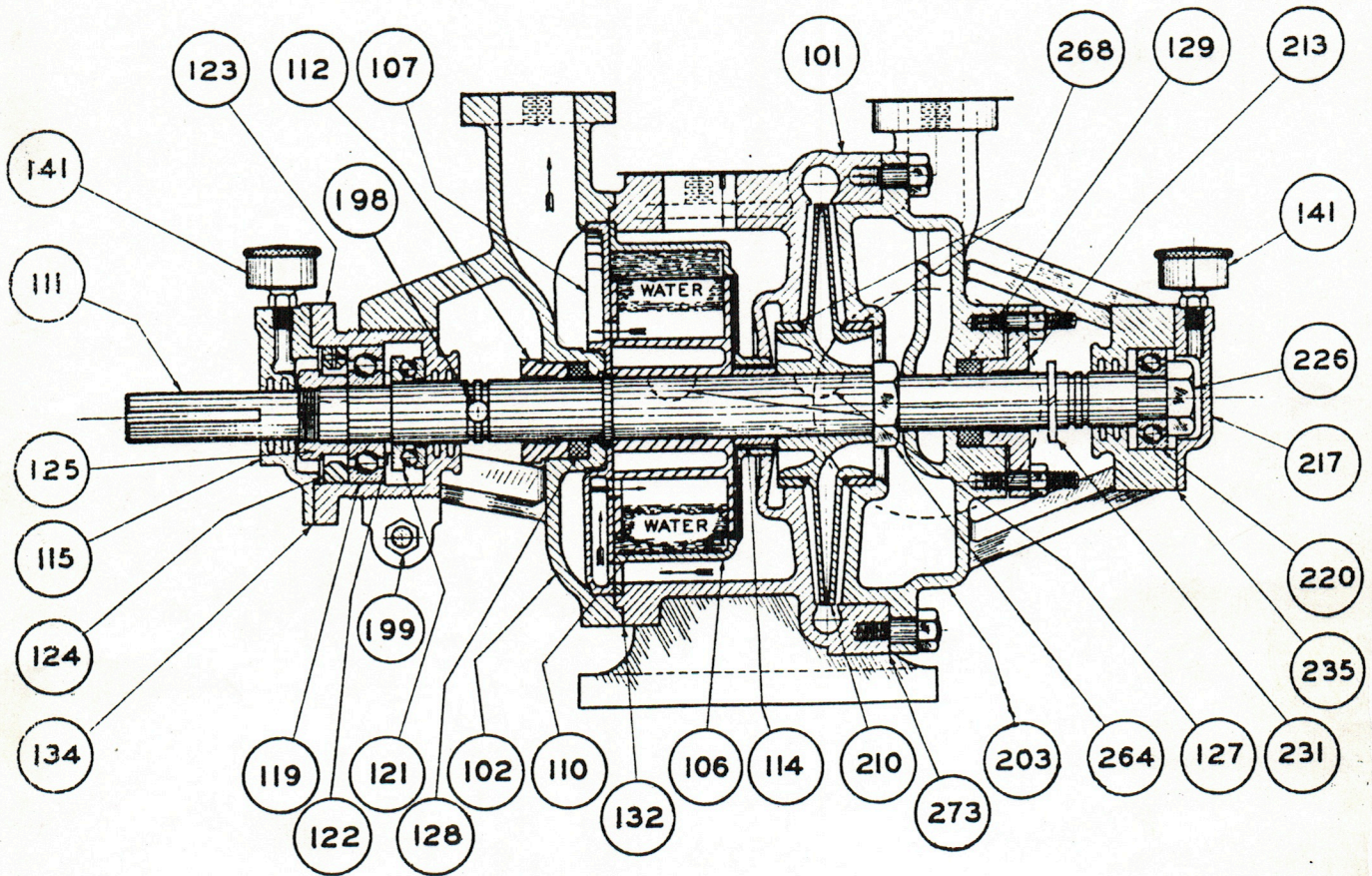


VACUUM HEATING PUMP MANIFOLD TYPE PIPED UP TYPE

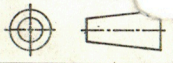


PART NO.	NAME	PART NO.	NAME	PART NO.	NAME
101	Body	123	Bearing Housing	210	Impeller
102	Air Head	124	Race Nut	213	Gland—Idle End
106	Lobe	125	Nut—Drive End	217	Cap—Idle End
107	Port Plate	127	Key	220	Bearing—Idle End
110	Rotor	128	Packing—Drive End	226	Nut—Idle End
111	Shaft	129	Packing—Idle End	231	Slinger
112	Gland—Drive End	132	Gasket	235	Gasket
114	Spacer	134	Gasket	264	Nut—Impeller
115	Cap—Drive End	141	Grease Cup	268	Sealing Ring
119	Bearing—Drive End	198	Lock Pin Hole	273	Gasket
121	Bearing—Thrust	199	Clamping Bolt		
122	Bearing Collar	203	Water Head		

INSTALLATION & OPERATION MANUAL:

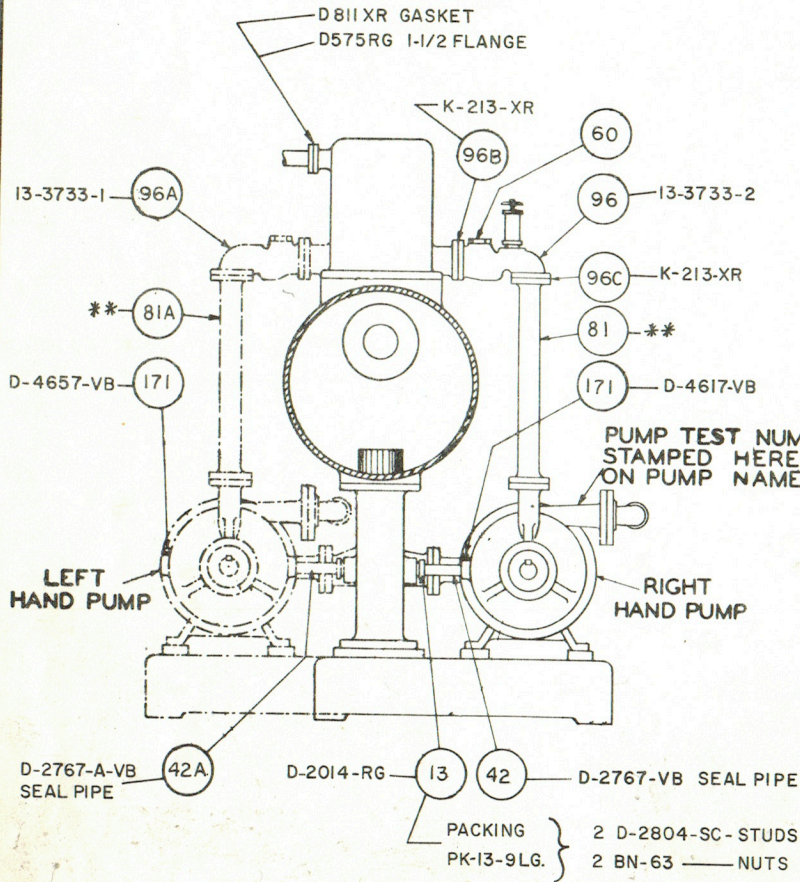
PIPED UP TYPE
MANIFOLD TYPE

BULLETIN 288
BULLETIN 347



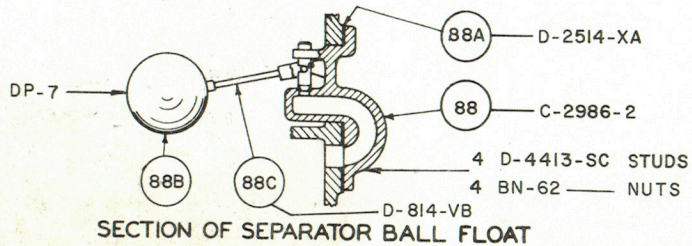
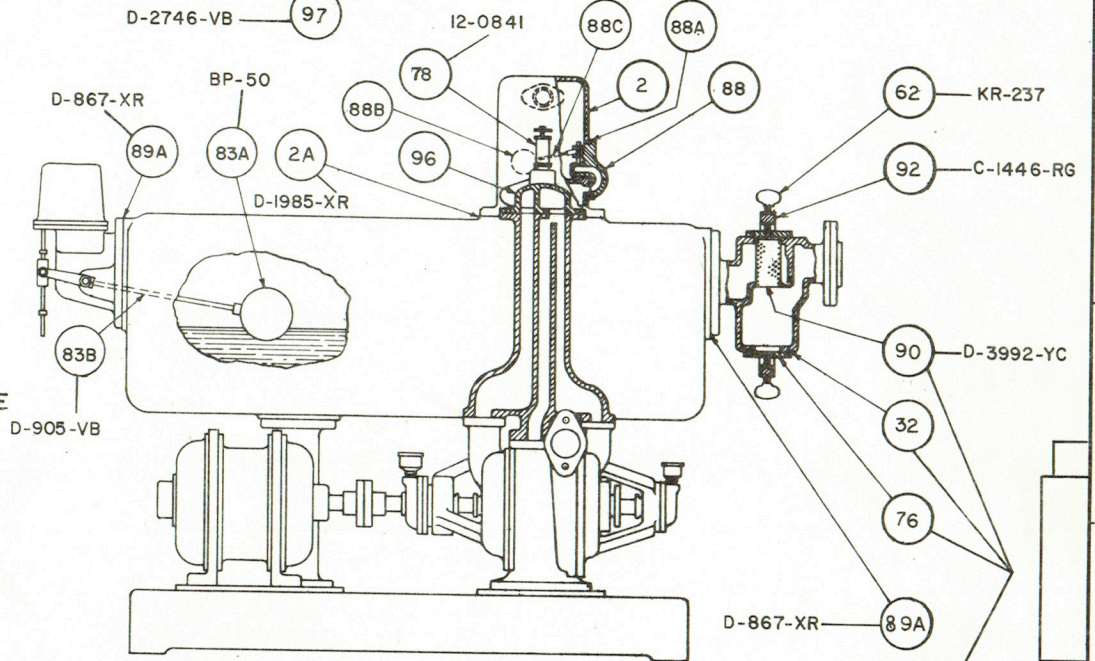
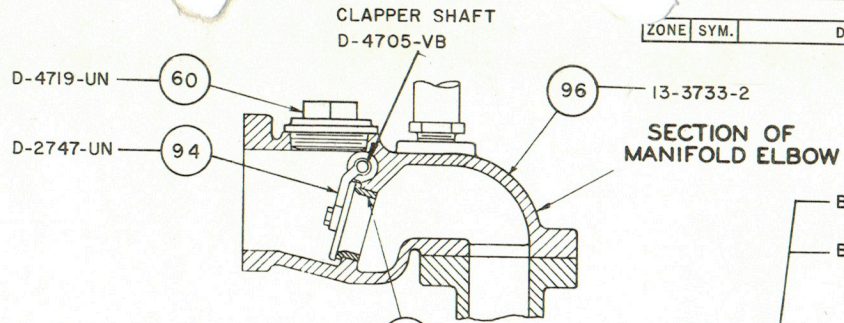
ZONE SYM.		REVISIONS	DATE	BY	APPD
		DESCRIPTION			

NOTE: SECTION FACING DRIVE END OF PUMP
SINGLE UNIT IN FULL LINES
DUPLIX UNIT IN FULL & DOTTED LINES



- ** (81) C-1068-RG-7-1/4 SINGLE ONLY
- ** (81) C-1069-RG-9-1/2 SINGLE ONLY
- (81) (81A) C-1853-RG-9-1/2 DUPLEX

THERE IS NO 7-1/4 DUPLEX



SEE STRAINER LISTS

THIS DRAWING IS THE PROPERTY OF THE NASH ENGINEERING COMPANY, NORWALK, CONN., U.S.A. AND ALL INFORMATION HEREIN IS CONSIDERED BY NASH TO BE PROPRIETARY. WRITTEN PERMISSION TO USE OR TO DISCLOSE TO OTHERS ANY INFORMATION HEREON MUST BE OBTAINED FROM THE NASH ENGINEERING COMPANY, NORWALK, CONN. 06856, U.S.A.

7 1/4 CASTING ML-3184

DIMENSIONS ARE IN INCHES		DRAWN FR	DATE 2-7-74	7 1/4" & 9 1/2" OLD STYLE MANIFOLD HEATING PUMP		THE NASH ENGINEERING CO. SO. NORWALK CONN., U.S.A.	
UNLESS OTHERWISE SPECIFIED TOLERANCES ARE		CHECKED					
UNFIN. DIM. ±	ANGLES ±	APPD. DESIGN					
FIN. DIM. ±	ANGLES ±	APPD. APPLN.		SCALE	WT. LBS.	REV.	DWG. SIZE
MATERIAL							C