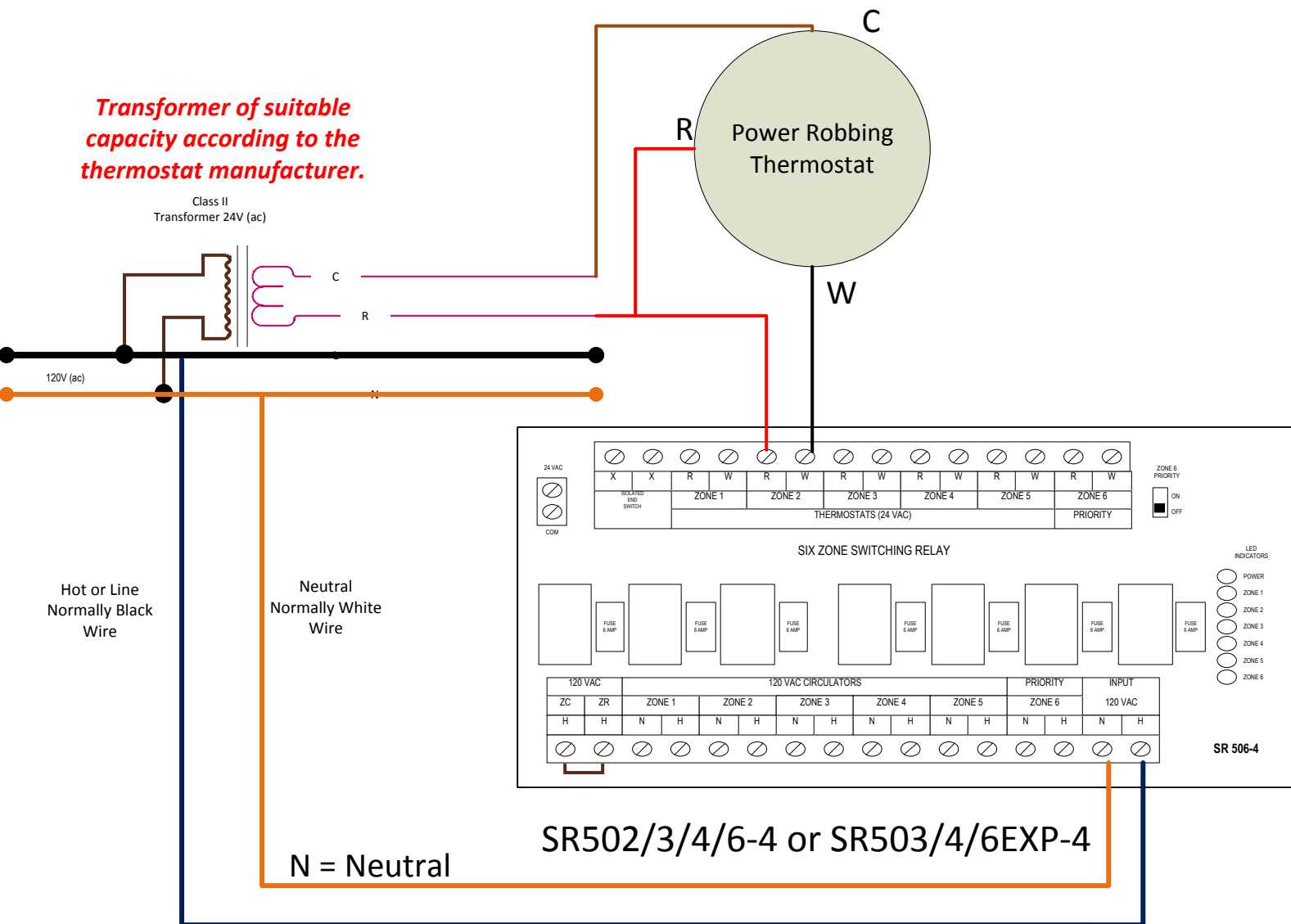


Wiring Diagram for thermostats which require an external transformer for additional power when attached to Taco switching relays

Transformer of suitable capacity according to the thermostat manufacturer.

Class II
Transformer 24V (ac)



SR502/3/4/6-4 or SR503/4/6EXP-4

H = Line voltage