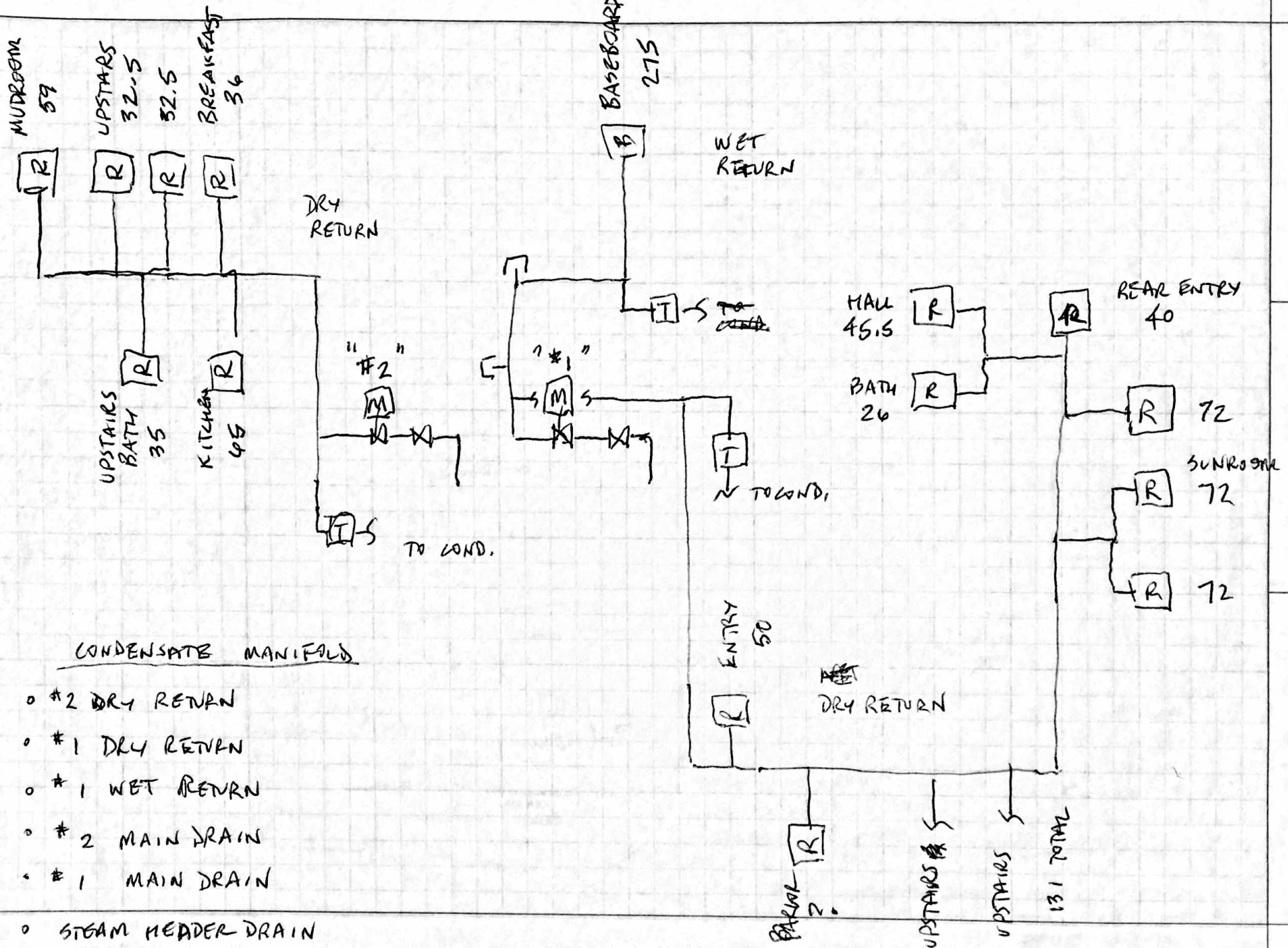


9/2/2021



CONDENSATE MANIFOLD

- o #2 DRY RETURN
- o #1 DRY RETURN
- o #1 WET RETURN
- o #2 MAIN DRAIN
- o #1 MAIN DRAIN
- o STEAM HEADER DRAIN