

Buckley 45° Air-Tite Connector

Union Made Product

Model 3300 - Buckley 45° Air Tite Connector



Standard Construction Features

- 26 gauge galvanized steel
- .125" neoprene gasket on flange

Models Available:

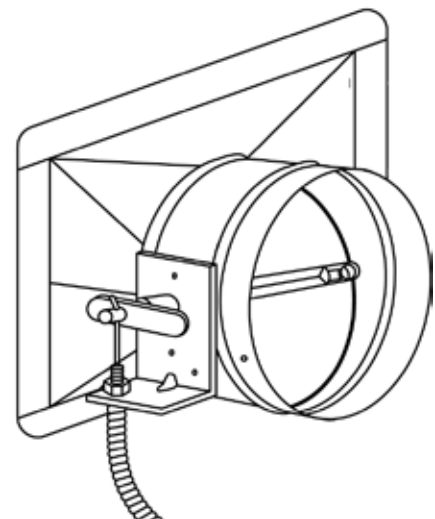
- 3300..... No Damper
- 3300D..... With Damper
- 3300D-ISG..... With Damper and Insulation Standoff Guard

Options

- Heavy Duty Hardware
- Remote Cable Operator (below)

Dia.	List Prices				
	Model 3300	Model 3300D	Model 3300D-ISG	Model 3300D-HD	Model 3300D-B01
4	\$27.55	\$32.85	\$36.85	--	--
5	26.40	31.65	35.65	\$74.55	\$66.40
6	31.80	37.05	41.05	78.80	71.80
7	35.40	40.60	44.60	85.40	77.40
8	34.50	39.75	43.75	84.50	76.50
9	40.25	45.55	49.55	94.25	86.25
10	48.30	53.55	57.55	102.30	94.30
12	59.00	64.05	68.05	116.00	108.00
14	68.95	74.20	78.20	130.95	124.95
16	99.30	104.60	108.60	161.30	155.30

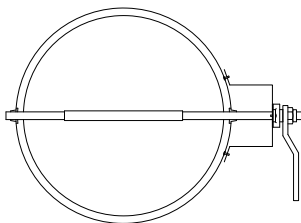
All dimensions are in inches.



3300D with B03 Heavy Duty Hardware with Remote Cable Operator

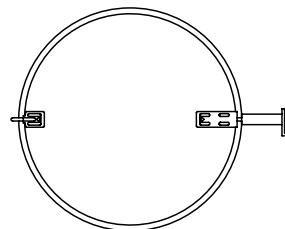
Heavy Duty Hardware Options | For Use with Models 3300 and BM

Type HD



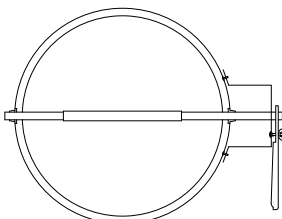
- Heavy Duty Locking Handle
- Elevated Standoff Bracket
- 22ga Damper Blade
- 3/8" Square Bar
- Nylon Bearings

Type ISG



- Threaded Extension
- Tube Covering Extension
- Fixed Threaded Clip
- Gasketed Washer

Type B01



- Locking Handle w/ Wing Nut
- Elevated Standoff Bracket
- 22ga Damper Blade
- 3/8" Square Bar
- Nylon Bearings



Buckley Air-Tite Bellmouth

Union Made Product

Model BM - Buckley Bellmouth Take-Off Fitting



Standard Construction Features

- 24 gauge galvanized steel (Sizes 5" - 14")
- 18 gauge galvanized steel (Sizes 4", 16" - 20")
- .125" neoprene gasket on flange
- Pre-drilled holes on flange

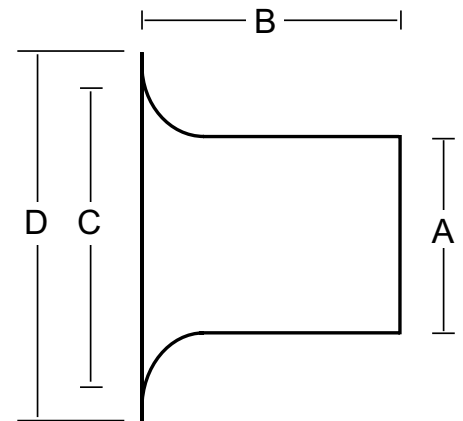
Models Available:

- BM..... No Damper
 BMD..... With Damper
 BMD-ISG..... With Damper and Insulation Standoff Guard

14

Dia	Dimensional Information				List Prices				
	B		C	D	Model BM	Model BMD	Model BMD-ISG	Model BMD-HD	Model BMD-B01
	BM	BMD							
4	5½	5½	6	7	\$31.60	\$36.95	\$40.95	--	--
5	6	6	8	9	30.55	36.95	40.95	\$77.55	\$67.55
6	6	6	9	10	25.80	30.40	34.40	72.80	62.80
7	6	6	10	11	32.70	39.25	43.25	82.70	74.70
8	6	6	11	12	30.65	35.10	39.10	80.65	72.65
9	6	6	12	13	40.95	49.95	53.95	94.95	88.95
10	6	6	13	14	38.25	44.60	48.60	92.25	86.25
12	6	6	15	16	48.15	54.10	58.10	105.15	97.15
14	6	6	17	18	54.00	60.20	64.20	116.00	96.00
16	2¾	9	19	20	77.70	115.65	119.65	144.70	144.70
18	2¾	9	21	22	85.45	126.85	130.85	152.45	152.45
20	2¾	9	23	24	93.70	140.85	144.85	160.70	160.70

All dimensions are in inches.



Model MBM - Buckley Mini-Bellmouth Take-Off Fitting

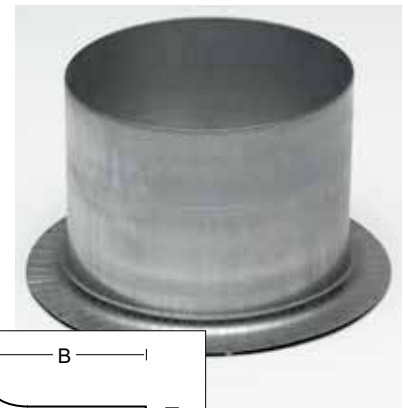
Union Made Product

Standard Construction Features

- 24 gauge galvanized steel
- .125" neoprene gasket on flange
- Pre-drilled holes on flange

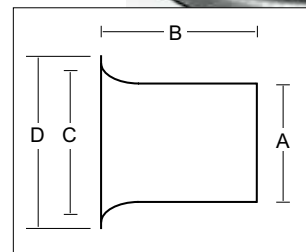
Models Available:

- MBM..... No Damper
 MBMD..... With Damper
 MBMD-ISG..... With Damper and Insulation Standoff Guard



Dia	Dimensional Info			List Prices				
	B	C	D	Model MBM	Model MBMD	Model MBMD-ISG	Model MBMD-HD	Model MBMD-B01
6	6	7	8¼	\$28.40	\$33.40	\$37.40	\$75.40	\$65.40
8	6	9	10¼	33.75	38.60	42.60	83.75	75.75
10	6	11	12¼	42.10	48.25	52.25	96.10	90.10

All dimensions are in inches.



Buckley Air-Tites and Spin-Ins

Model M - Buckley Spin In-Collar Union Made Product



Models Available:

- M..... No Damper
- MD..... With Damper
- MD-ISG..... With Damper and Insulation Standoff Guard

Dia.	List Prices		
	Model M	Model MD	Model MD-ISG
4	\$10.75	\$20.00	\$24.00
5	5.75	11.50	15.50
6	6.35	11.50	15.50
7	6.90	13.85	17.85
8	6.90	13.90	17.90
9	6.90	16.30	20.30
10	7.60	16.30	20.30
12	9.55	19.10	23.10
14	11.50	23.80	27.80
16	20.95	38.30	42.30
18	21.50	42.20	46.20
20	22.10	44.90	48.90

All dimensions are in inches.

Model ATM - Buckley Air Tite Connector Union Made Product



Models Available:

- ATM..... No Damper
- ATMD..... With Damper
- ATMD-ISG..... With Damper and Insulation Standoff Guard

Dia.	List Prices		
	Model ATM	Model ATMD	Model ATMD-ISG
4	\$15.05	\$27.00	\$31.00
5	9.70	15.35	19.35
6	9.70	15.35	19.35
7	10.25	16.00	20.00
8	10.25	16.00	20.00
9	11.85	18.05	22.05
10	11.85	18.05	22.05
12	14.95	21.80	25.80
14	16.00	27.05	31.05
16	25.50	46.40	50.40
18	28.65	52.05	56.05
20	31.80	57.80	61.80

All dimensions are in inches.

Mechanical Fasteners and Powerpoint Weld Pins



Model	Description	Quantity/Bucket	List Price
Gripnail Mechanical Fasteners			
#100B	1" insulation, All densities	5,000 pieces	\$575.
Power Point Weld Pins			
#107B	1" insulation, All densities	5,000 pieces	298.

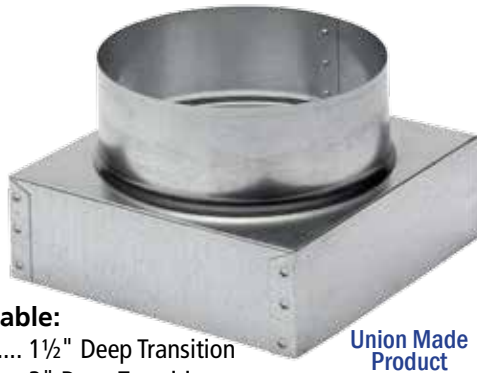


Power Point Weld Pins are compatible with all brands of standard resistance welders.



Buckley Transitions

Model TR - Buckley 1½" and 3" Deep Transitions



Union Made Product

Models Available:

- TR..... 1½" Deep Transition
- TR3..... 3" Deep Transition

Size	List Prices	
	Model TR	Model TR3
6 x 6 TO ROUND	\$15.	\$18.
8 x 8 TO ROUND	17.	21.
9 x 9 TO ROUND	17.	21.
10 x 10 TO ROUND	21.	25.
12 x 12 TO ROUND	21.	25.
15 x 15 TO ROUND	27.	34.
18 x 18 TO ROUND	31.	48.
20 x 20 TO ROUND	40.	53.
21 x 21 TO ROUND	50.	53.
22 x 22 TO ROUND	50.	53.
24 x 24 TO ROUND	57.	60.
6 x 9 TO ROUND	24.	29.
6 x 12 TO ROUND	25.	32.
9 x 12 TO ROUND	35.	41.
9 x 15 TO ROUND	38.	48.
10 x 22 TO ROUND	46.	59.
12 x 15 TO ROUND	40.	53.
12 x 18 TO ROUND	46.	59.
12 x 24 TO ROUND	46.	59.
15 x 18 TO ROUND	50.	64.

All dimensions are in inches.

Standard Construction Features

- 26 gauge galvanized steel

Options

- Different Depths
- Aluminum Construction
- Black Finish (Available from Another Vendor)

Model DCBTR - Buckley Diffuser Boot Transition



Union Made Product

Size	List Price
6 x 6	\$53.
9 x 9	61.
12 x 12	74.
15 x 15	89.
18 x 18	106.
21 x 21	127.
24 x 24	153.

All dimensions are in inches.

Standard Construction Features

- 26 gauge galvanized steel

Options

- Aluminum construction
- ½" Duct liner
- ½" Closed foam cell insulation
- Odd Sizes



DCBTR's are made to order products and therefore cannot be returned.

Model BSTR - Buckley Side Take-Off Transition



Union Made Product

Size	List Price
6 x 6	\$46.
9 x 9	52.
12 x 12	67.
15 x 15	83.
18 x 18	96.
21 x 21	115.

All dimensions are in inches.

Standard Construction

- 26 gauge galvanized steel

Options

- Aluminum construction
- ½" Duct liner
- ½" Closed foam cell insulation
- Odd Sizes



BSTR's are made to order products and therefore cannot be returned.



Buckley Distribution Plenums

Union Made Product

Model BDP - Buckley Distribution Plenum with Flat or Hemmed Edge

Standard Construction Features

- 24 gauge galvanized steel
- ½" Duct Liner on Insulated Plenums
- End Caps are not Insulated
- Hemmed Edge (Concealed Mounting) or Flat Edge (T-Bar Mounting)
- Circular or Oval Inlets (Depending on Height Requirements)

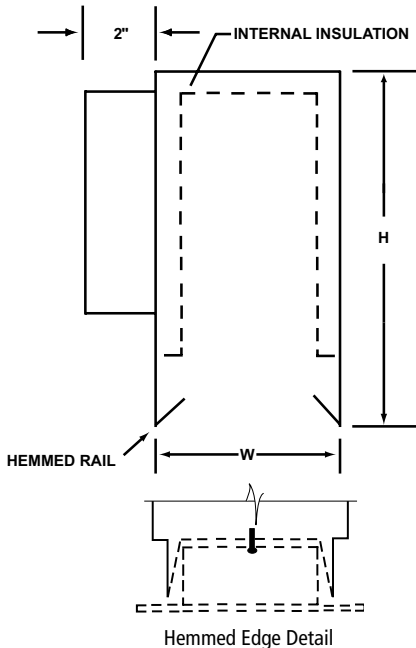
Options

- ½" Closed foam cell insulation
- Remote Damper Operator
- Price 8EC Butterfly Type Volume Control Kit

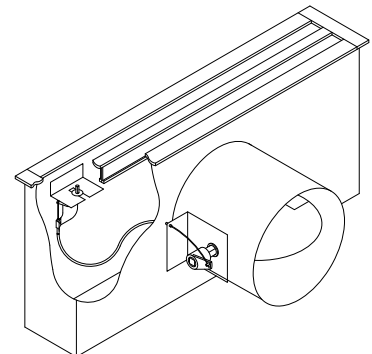
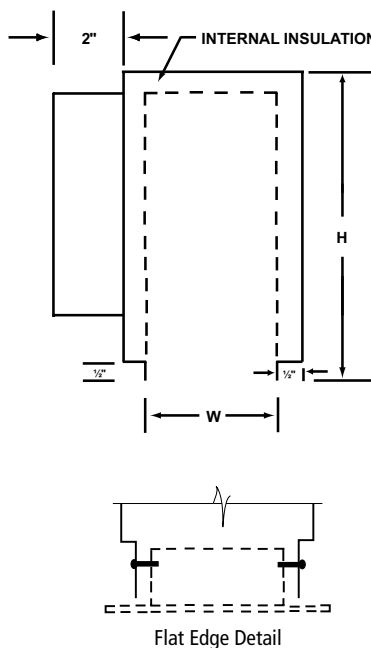
Models Available:

- BDPH.....Plenum with Hemmed Edge
- BDPF.....Plenum with Flat Edge

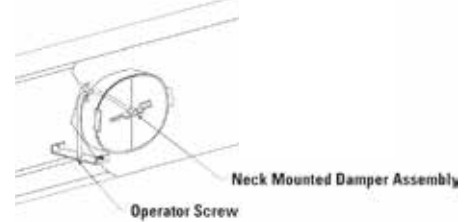
Plenum with Hemmed Edge Model BDPH



Plenum with Flat Edge Model BDPF



Buckley Plenum and Price Linear Slot Diffuser with Remote Cable Operator
Call for Pricing



Neck Mounted Damper Assembly
Operator Screw
Buckley Plenum with Price 8EC Butterfly Type Volume Control Damper Kit

Length	Width # of Slots	List Prices			
		Up to 1¾	1⅞ - 3½	3⅝ - 5¼	5⅝ - 7
24	Bare	\$56.	\$68.	\$72.	\$82.
	Insulated	78.	85.	96.	112.
36	Bare	72.	84.	91.	110.
	Insulated	105.	114.	124.	147.
48	Bare	82.	96.	108.	124.
	Insulated	135.	143.	169.	198.
60	Bare	98.	124.	130.	145.
	Insulated	154.	181.	221.	259.
72	Bare	133.	156.	166.	182.
	Insulated	201.	222.	259.	299.

All dimensions are in inches.

Inlet Size/Plenum Height

Inlet Size Ø	Height	List Price Add
		Model 8EC
5	11	--
6	11	\$68.
7	11	--
8	11	68.
9	13	--
10	13	68.
12	15	73.
14	17	--

All dimensions are in inches.
Inlets are Round.



Plenums are made to order products and therefore cannot be returned.



Buckley Stamped Grilles

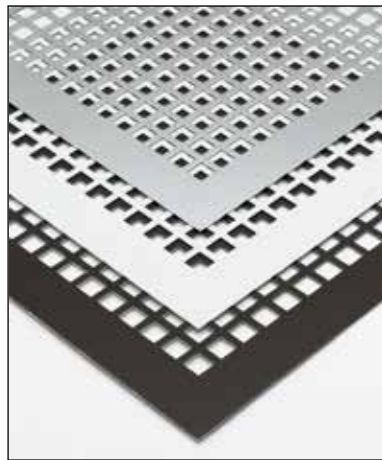
Union Made
Product

18

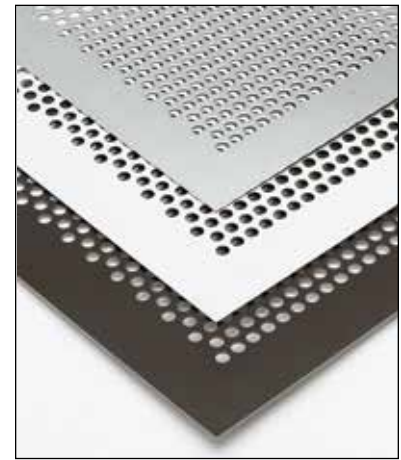
Buckley Stamped Grilles



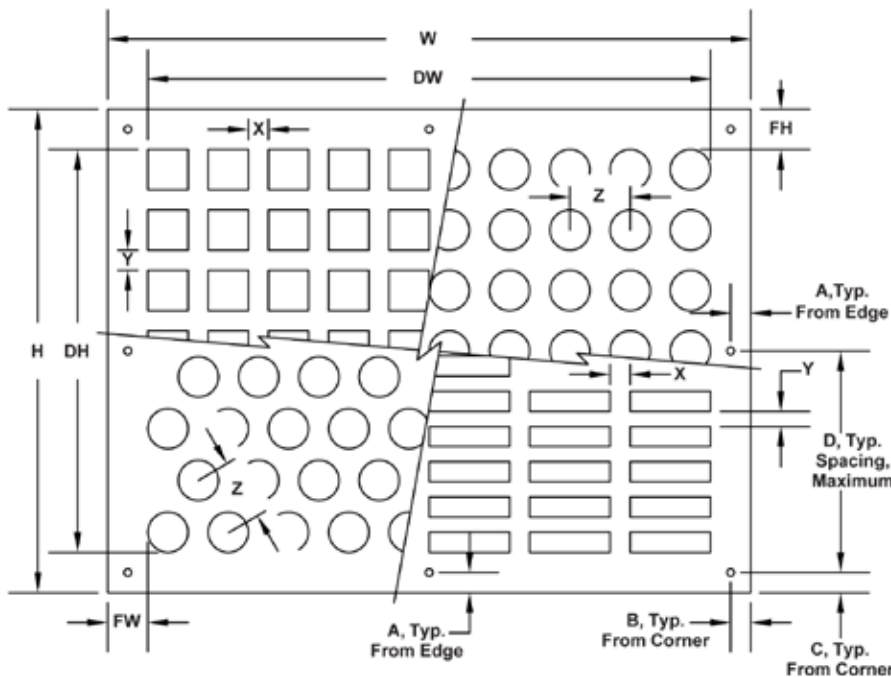
Stamped Grilles - Rectangular



Stamped Grilles - Square



Stamped Grilles - Round



Size	List Price
18 x 18	\$200.
24 x 18	234.
36 x 18	352.
48 x 18	470.
24 x 24	313.
36 x 24	391.
48 x 24	626.
36 x 36	704.
48 x 36	939.

Pricing Notes

- \$90. Minimum NET Charge
- For prices not shown, use next highest size



Stamped Grilles are made to order products and therefore cannot be returned.

All dimensions are in inches.

Available Options

CONSTRUCTION

Galvanized Steel:

- 10 GA..... List x 1.35
- 12 GA..... List x 1.10
- 14 GA..... List Price
- 16 GA..... List x 0.95
- 18 GA..... List x 0.90

Aluminum:

- .040..... List 1.15
- .063..... List 1.30
- .090..... List 1.45
- .125..... List 2.00

Stainless Steel: Available From Factory

SQUARE HOLES

- 1/4, 3/8, 1/2, 5/8, 3/4, 13/16, 7/8, 1

ROUND HOLES

- 1/4, 5/16, 3/8, 1/2, 5/8, 3/4, 1

RECTANGULAR HOLES

- 1/4 x 1, 1/4 x 2, 1/4 x 3

SIZES

Up to 48 x 36 single piece construction.
No limit on multiple sections.

SCREW HOLES

As required, countersunk available.

FINISHES

White or Bronze Aluminum

ADDITIONAL OPTIONS

- Sleeves welded to faceplate
- Burglar Bars welded in sleeve
- Dampers mounted in sleeve
- Rear angle bars for field welding



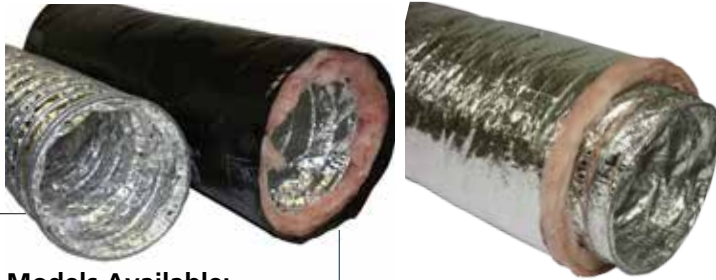
Buckley Flexible Duct

Union Made Product

Buckley Flexible Duct

Buckley Insulated Flex
R Value 6.0

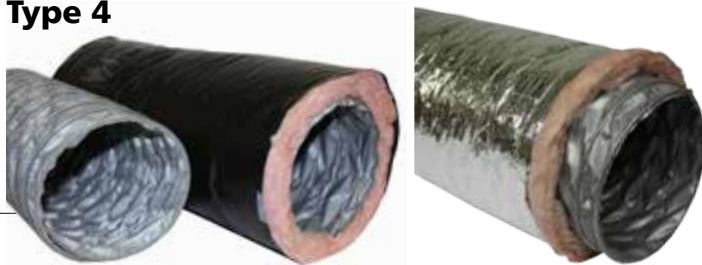
Type 3



Models Available:

- FF.....Type 3 Bare Flex
- IFF.....Type 3P Insulated Flex with Polyethylene Jacket
- IFF3M.....Type 3M Insulated Flex with Reinforced Aluminum Jacket

Type 4



Models Available:

- FFIV..... Type 4 Bare Flex
- IFFIV..... Type 4P Insulated Flex with Polyethylene Jacket
- IFFIV4M..Type 4M Insulated Flex with Reinforced Aluminum Jacket

Dia.	List Prices (Per Foot)					
	Type 3			Type 4		
	Bare	Insulated		Bare	Insulated	
3P		3M	4P		4M	
3	\$2.04	--	--	\$3.60	--	--
4	2.11	\$4.72	--	3.60	\$6.10	--
5	2.37	4.72	\$6.15	4.08	6.44	\$7.80
6	2.72	5.35	6.15	4.96	7.64	7.80
7	2.79	5.82	7.32	5.28	8.32	9.84
8	3.48	6.34	7.32	6.44	9.30	9.84
9	3.72	6.92	8.68	6.92	10.12	12.58
10	4.48	7.72	8.68	8.38	11.62	12.58
12	5.34	8.90	9.80	10.08	13.64	14.54
14	6.48	11.04	12.10	11.58	16.14	17.20
16	9.20	15.18	--	16.20	22.18	--
18	10.25	17.92	--	18.62	26.30	--
20	11.90	--	--	20.72	--	--
24	13.40	--	--	25.64	--	--

All diameters are in inches. Type 3 and Type 4 are sold in 25' lengths.

Atco and Industrial Flexible Duct



Novaflex U-LOK 100

Extremely flexible duct with good low temperature and chemical resistance. Ideal for the following applications: dust control, air handling, light material handling, fume control.



Atco #036 - Foil Face

Our premium insulated duct has a double ply, metalized polyester vapor barrier with tri-directional reinforcements.

R Value is 6.0



Atco #070 - Polyethylene Face

This durable, all purpose product has a double ply, grey polyester vapor barrier with spiral reinforcements. Designed for indoor use in residential and commercial low to medium pressure systems.

R Value is 4.2

Other Flexible Duct is Available.
Contact Us for More information.

Dia.	List Prices (Per Box)		
	U-LOK 100	Model #036	Model #070
	Bare	Insulated	Insulated
4	\$149.	--	--
5	171.	\$67.	\$52.
6	193.	76.	58.
7	--	83.	64.
8	244.	90.	70.
9	--	102.	79.
10	281.	114.	87.
12	371.	140.	108.
14	--	170.	131.
16	--	195.	152.
18	--	227.	173.
20	--	276.	--

All diameters are in inches.

Note: U-LOK 100 is sold in 10' lengths. Atco flex is sold in 25' lengths.



Buckley Buck Duct

Buckley Buck Duct

Buckley Insulated Flex
R Value 6.0

Union Made
Product

Triple Lock Buck Duct



- Triple Lock, Mechanical Joint
- Flexible

Models Available:

- BD Bare Buck Duct
- BDIP Insulated Buck Duct with Polyethylene Jacket
- BDIM Insulated Buck Duct with Reinforced Aluminum Jacket



Buck Duct and Buck Duct Silencers are made to order and therefore cannot be returned.

Acoustical Low-Pressure Buck Duct



- Single Wall
- Inner Perforated Core
- 2" thick insulation
- Flexible

Models Available:

- BDAP.....with Polyethylene Jacket
- BDAM.....with Reinforced Aluminum Jacket

Hospital Grade Acoustical Low-Pressure Buck Duct



- Single Wall
- Inner Perforated Core sheathed in a seamless jacket
- 2" thick insulation
- Flexible

Models Available:

- BDAHGP...with Polyethylene Jacket
- BDAHGM...with Reinforced Aluminum Jacket

20

Buckley Buck Duct Silencers

Union Made
Product

Buck Duct Silencer Model BDS

- Double Wall
- Inner Perforated Core
- Outer shell Triple Lock Buck Duct
- 2" thick insulation



Hospital Grade Buck Duct Silencer Model BDSHG

- Double Wall
- Inner Perforated Core sheathed in a seamless jacket
- Outer shell Triple Lock Buck Duct
- 2" thick insulation



Model	R Value	Length	List Prices / Diameter												
			3	4	5	6	7	8	9	10	12	14	16	18	20
BUCKLEY BUCK DUCT															
BD	--	10'	\$21.	\$23.	\$29.	\$37.	\$44.	\$50.	\$59.	\$70.	\$92.	\$104.	\$162.	\$184.	\$212.
BDIP	6.0	10'	--	57.	65.	77.	93.	95.	110.	129.	152.	172.	240.	282.	--
BDIM	6.0	10'	--	--	87.	87.	107.	107.	141.	141.	164.	185.	--	--	--
BDAP	6.0	3' or 5'	--	--	39.	46.	55.	56.	66.	86.	95.	102.	144.	--	--
		7' or 10'	--	--	78.	92.	110.	112.	132.	172.	190.	204.	288.	--	--
BDAM	6.0	3' or 5'	--	--	52.	52.	64.	64.	95.	95.	105.	112.	--	--	--
		7' or 10'	--	--	104.	104.	128.	128.	190.	190.	210.	224.	--	--	--
BDAHGP	6.0	3' or 5'	--	--	42.	50.	60.	62.	72.	94.	104.	112.	157.	--	--
		7' or 10'	--	--	84.	100.	120.	124.	144.	188.	208.	224.	314.	--	--
BDAHGM	6.0	3' or 5'	--	--	57.	57.	71.	71.	105.	105.	111.	124.	--	--	--
		7' or 10'	--	--	114.	114.	142.	142.	210.	210.	222.	248.	--	--	--
BUCKLEY BUCK DUCT SILENCERS															
BDS	6.0	3' or 5'	--	--	155.	165.	181.	193.	213.	223.	259.	299.	385.	--	--
		7' or 10'	--	--	215.	236.	250.	267.	324.	365.	405.	482.	620.	--	--
BDSHG	6.0	3' or 5'	--	--	159.	177.	183.	199.	220.	232.	268.	309.	400.	--	--
		7' or 10'	--	--	223.	245.	260.	278.	337.	382.	441.	502.	647.	--	--

All diameters are in inches.



Buckley Static Fire Dampers

Model 150 - Buckley Static Fire Dampers



Model 150A



Model 150B



Model 150C

Model	1½-Hour Underwriters Laboratory Classified Fire Damper	List Prices		Sizes Available	
		Vertical	Horizontal	Min.	Max.
150A	Low profile type "A" damper. (damper completely in air stream)	List (See Below)	List x 1.20	6 x 4	48 x 48
150B	High-hat type "B" damper. (blades out of air stream)	List x 1.20	List x 1.40	6 x 4	48 x 43
150C	100% free area. (round)	List x 2.50	List x 2.70	3	26

		Width (Inches)											
		6	8	12	16	20	24	28	32	36	40	44	48
Height (Inches)	6	\$39.	\$39.	\$39.	\$48.	\$58.	\$65.	\$73.	\$79.	\$80.	\$86.	\$94.	\$98.
	8		44.	44.	52.	59.	66.	79.	80.	86.	96.	98.	103.
	12			52.	65.	71.	75.	84.	88.	96.	103.	108.	116.
	16				73.	73.	84.	96.	102.	106.	113.	119.	132.
	20					86.	98.	103.	110.	118.	125.	138.	144.
	24						103.	116.	122.	133.	139.	148.	158.
	28							122.	142.	154.	163.	177.	187.
	32								158.	178.	191.	204.	216.
	36									200.	216.	232.	247.
	40										232.	247.	262.
	44											262.	278.
	48												292.



Fire Dampers are made to order products and therefore cannot be returned.

Note: These fire dampers are for use in static systems only. Width and Height are in inches (blades parallel to width). Fire Dampers must be ordered WIDTH x HEIGHT.

Model 5600F - Prefco Round Fire Damper

Size	Mount		List Price
	H	V	
4*		✓	\$112.
5	✓	✓	91.
6	✓	✓	91.
7	✓	✓	91.
8	✓	✓	91.
9	✓	✓	101.
10	✓	✓	101.
12	✓	✓	114.
14		✓	141.
16		✓	141.
18		✓	171.
20		✓	176.



Fusible Links

Model	Degree	List Price
165A	165°	\$7.
212A	212°	8.
286A	286°	13.
386A	386°	19.

All dimensions are in inches.
* Model 5630F

Also available in 1½" length for 165° and 212°

Model SL2000N - Ionization Smoke Detector



Hi-Temp, Low-Flow & No Tools -- Prevent the recirculation or spread of smoke by air handling systems, fans or blowers with the SL2000N from Air Products and Controls.

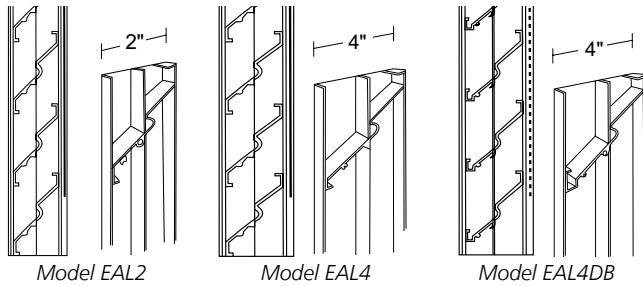
Model	Description	List Price
SL2000N	Ionization Smoke Detector	\$372.
STS-2.5	Sampling Tube for Duct Width 6" - 30"	25.
STS-5.0	Sampling Tube for Duct Width 30" - 60"	31.

Universal Voltage: 230 VAC, 115 VAC, 24 VAC, 24VDC



Buckley Louvers

Model EAL - Buckley Extruded Aluminum Louvers



Standard Construction Features

- Mill Finish
- Birdscreen
- Sizes undercut by 1/4"

Options

- 1" Flange
- Insect Screen
- Bronze Finish
- Reverse Size **Add 10%**
- Elevator Vent Louver



See Page 28

Models Available:

- EAL2F..... 2" Deep with 1" Flange
- EAL2C..... 2" Deep with No Flange
- EAL4F..... 4" Deep with 1" Flange
- EAL4C..... 4" Deep with No Flange
- EAL4DBF..... 4" Deep Drainable Blade with 1" Flange
- EAL4DBC..... 4" Deep Drainable Blade with No Flange

Model	List Prices			
	Mill Finish		Bronze Finish	
	No Flange	1" Flange	No Flange	1" Flange
EAL2	List x 0.95	List x 1.15	List x 1.15	List x 1.35
EAL4	List Price (See Below)	List x 1.20	List x 1.20	List x 1.40
EAL4DB	List x 1.10	List x 1.30	List x 1.30	List x 1.50

		Single Section Width														
		12	16	20	24	28	32	36	40	48	52	56	60	64	68	72
Height	12	\$157.	\$170.	\$175.	\$184.	\$194.	\$203.	\$248.	\$257.	\$275.	\$284.	\$294.	\$375.	\$385.	\$393.	\$402.
	16		184.	196.	209.	221.	235.	281.	294.	319.	403.	416.	428.	441.	453.	465.
	20			254.	269.	285.	384.	388.	431.	507.	522.	538.	554.	569.	584.	600.
	24				293.	312.	403.	421.	467.	550.	568.	587.	642.	661.	679.	698.
	28					404.	434.	527.	549.	593.	615.	637.	695.	716.	738.	760.
	32						464.	561.	586.	637.	661.	722.	747.	772.	798.	822.
	36							595.	623.	679.	707.	771.	800.	828.	856.	884.
	40								660.	723.	754.	822.	853.	884.	915.	946.
	48									813.	847.	991.	1026.	1061.	1096.	1130.
	52										1003.	1040.	1079.	1120.	1154.	1192.
	56											1202.	1105.	1179.	1322.	1363.
	60												1184.	1263.	1381.	1425.
	64													1348.	1440.	1488.
	68														1546.	1599.
72															1662.	



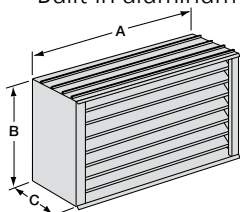
Louvers are made to order products and therefore cannot be returned.

All dimensions are in inches.

Note: When ordering the first dimension is WIDTH (blade length) and the second dimension is HEIGHT. For pricing sizes that are not shown use the next largest size. For sizes larger than what is shown, use multiple sections.

Model EX - Extruded Aluminum Brick Vent

- Designed for installation in masonry walls
- Anodized aluminum construction
- Built in aluminum mesh insect screen



Model	A	B	C	List Price
EX808	8 1/8"	7 3/4"	4"	\$156
EX128	12"	7 3/4"	4"	182.
EX157	15 5/8"	7 3/4"	4"	210.

All dimensions are in inches.

Geocel Tripolymer Sealant

DM2300 Clear

List Price \$444/case (24 tubes/case)

DM2300 Gray

List Price \$108/case (6 tubes/case)



Buckley Duct Access Doors

Buckley Access Doors with Cam and Hinged Latches



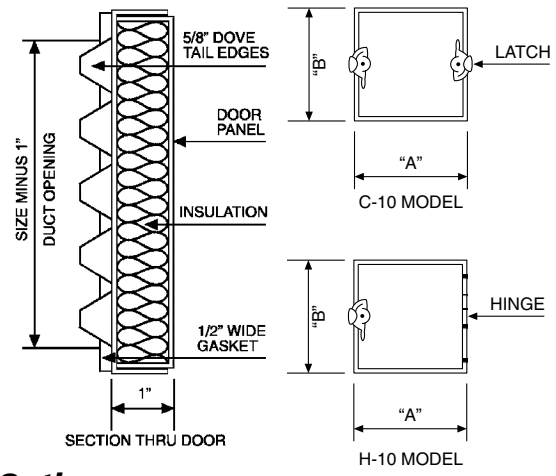
Models Available:

- C10..... Cam Latches on 2 Sides
- C10HP..... Cam Latches on 4 sides
- C10BP..... Cam Latches on 2 Sides w/ Plexiglas Port
- H10..... One Side Hinged
- H10BP..... One Side Hinged w/ Plexiglas Port

Standard Construction Features

- 24 gauge galvanized steel frame and door
- 1" thick, double wall door with 3/4" insulation
- .125" neoprene gasket on frame/door

Size	Dimensional Data			List Prices		
	Width (A)	Height (B)	Duct Opening	Model C10	Model H10	Model C10HP
6 x 6	6 1/4	6 1/4	5 1/4 x 5 1/4	\$29.15	\$30.90	\$37.90
8 x 8	8 1/4	8 1/4	7 1/4 x 7 1/4	30.95	32.80	39.65
10 x 10	10 1/4	10 1/4	9 1/4 x 9 1/4	33.55	35.65	41.95
12 x 12	12 1/4	12 1/4	11 1/4 x 11 1/4	36.65	38.85	45.25
16 x 12	16 1/4	12 1/4	15 1/4 x 11 1/4	53.35	57.30	69.90
18 x 12	18 1/4	12 1/4	17 1/4 x 11 1/4	67.00	61.85	87.90
14 x 14	14 1/4	14 1/4	13 1/4 x 13 1/4	49.85	55.70	64.80
16 x 16	16 1/4	16 1/4	15 1/4 x 15 1/4	52.00	58.50	67.60
18 x 18	18 1/4	18 1/4	17 1/4 x 17 1/4	58.65	59.80	76.25
20 x 20	20 1/4	20 1/4	19 1/4 x 19 1/4	70.75	73.20	91.95
24 x 24	24	24	23 x 23	85.70	86.25	102.80
24 x 12	24 1/4	12 1/4	23 1/4 x 11 1/4	70.35	73.85	85.75
18 x 14	18 1/4	14 1/4	17 1/4 x 13 1/4	70.35	73.90	85.75
24 x 14	24 1/4	14 1/4	23 1/4 x 13 1/4	80.00	84.05	95.45
24 x 18	24 1/4	18 1/4	23 1/4 x 17 1/4	80.00	88.10	95.45
30 x 24	30 1/4	24 1/4	29 1/4 x 23 1/4	133.45	140.15	148.85
36 x 24	36 1/4	24 1/4	35 1/4 x 23 1/4	155.50	163.05	170.65



Options

- Aluminum Construction
- #304 Stainless Steel
- 20 gauge door panels (24 gauge frames)
- Retainer Chain
- Ventlock #100
- Plexiglas Port (Single/Double Pane)
- Odd size doors

All dimensions are in inches. For sizes larger than 36x24 use Model WIAD.

Model WIAD - Buckley Walk-In Access Doors

Size	List Price
18 x 36	\$393.
18 x 48	457.
18 x 60	525.
18 x 72	594.
18 x 84	638.
18 x 96	707.
24 x 36	431.
24 x 48	503.
24 x 54	535.
24 x 60	575.
24 x 72	647.

Size	List Price
24 x 84	695.
24 x 96	767.
30 x 60	576.
30 x 72	676.
30 x 84	727.
30 x 96	803.
36 x 60	601.
36 x 72	680.
36 x 84	759.
36 x 96	838.

Standard Construction Features

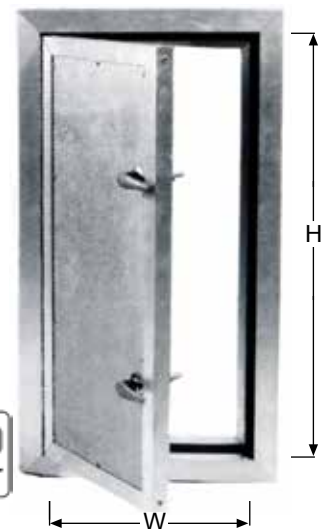
- 24 gauge galvanized steel door
- .060 extruded aluminum frame
- 1" thick, fiberglass insulation
- Closed cell foam gasket

Options

- Aluminum construction
- 20 gauge door panels
- Additional Handles
- 8x8 Plexiglas Port
- Odd size doors



Walk In Access Doors are made to order products and therefore cannot be returned.



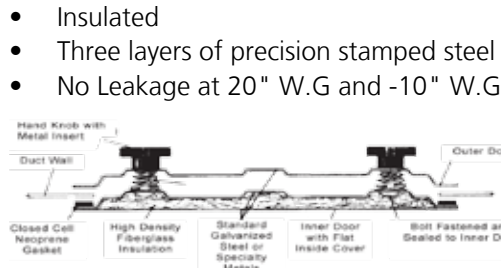
All dimensions are in inches. Sizes shown are "duct opening" and are exact. (Width x Height)



Duct Access Doors and Panels

Insulated Rectangular Sandwich Access Door

Model	Size	List Price
DI106GA	10 x 6	\$61.
DI128GA	12 x 8	88.
DI1814GA	18 x 14	188.
DI2418GA*	24 x 18	322.



- Insulated
- Three layers of precision stamped steel
- No Leakage at 20" W.G and -10" W.G

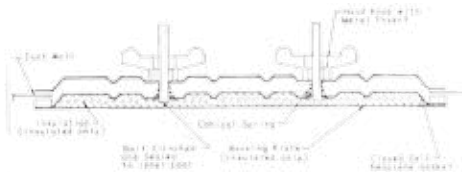
All dimensions are in inches.

* This model consists of only two layers of precision stamped steel. A polyester foam pad installed between the inner and outer door panels provides insulation.

Insulated Round Sandwich Access Door

Model	Door Size	Duct Diameter	List Price
DRI846GA	8 x 4	5 - 6	\$101.
DRI849GA	8 x 4	7 - 9	101.
DRI8411GA	8 x 4	10 - 11	101.
DRI8414GA	8 x 4	12 - 14	101.

- Insulated
- Three layers of precision stamped steel
- No Leakage at 20" W.G and -10" W.G



All dimensions are in inches.

Model BNTC - Drywall Access Panel

Door Size	Rough Opening	# of Latches	List Price
8 x 8	8¼ x 8¼	1	\$54.
12 x 12	12¼ x 12¼	1	71.
14 x 14	14¼ x 14¼	1	83.
16 x 16	16¼ x 16¼	1	96.
18 x 18	18¼ x 18¼	2	111.
24 x 24	24¼ x 24¼	4	152.

Construction Features

- 14 gauge door, 16 gauge mounting frame
- 1" Exposed Flange
- Concealed Spring Pin Hinge
- Screwdriver Operated Cam Latch(es)
- .25" Mounting Holes within Frame

Finish

- Gray Baked on Powder Coat



All dimensions are in inches.

Note: Fire-rated access doors are also available.

Please contact us for pricing and availability.



Control Dampers & Actuators

Model 5101 - Single Blade Control Damper



Size	Act	Damper List Price
12 x 6	TFB	\$149.
8 x 8	TFB	149.
10 x 8	TFB	149.
12 x 8	TFB	149.
14 x 8	TFB	149.
16 x 8	TFB	158.
18 x 8	TFB	166.
20 x 8	TFB	169.
24 x 8	TFB	182.

All dimensions are in inches.

Model VCDR53 - Round Volume Control Damper



Size	Act	Damper List Price
6	TFB	\$268.
8	TFB	274.
10	TFB	299.
12	TFB	314.
14	TFB	329.

All dimensions are in inches.

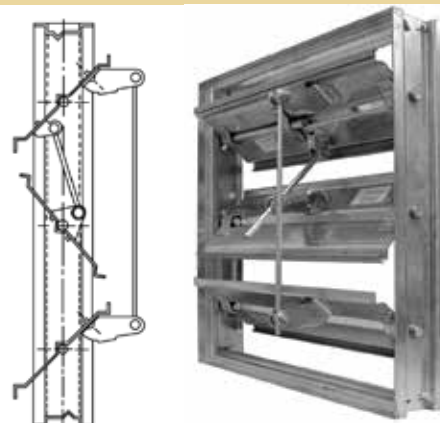
25

Model 5103 - Opposed Blade Control Damper

Size	Act	Damper List Price
10 x 10	TFB	\$178.
14 x 10	TFB	188.
16 x 10	TFB	188.
18 x 10	TFB	201.
20 x 10	TFB	204.
24 x 10	TFB	217.
30 x 10	TFB	245.
36 x 10	TFB	255.
12 x 12	TFB	178.
14 x 12	TFB	188.
16 x 12	TFB	188.
18 x 12	TFB	205.
20 x 12	TFB	205.
24 x 12	TFB	218.
30 x 12	TFB	238.
36 x 12	TFB	255.
48 x 12	TFB	296.
14 x 14	TFB	216.
16 x 14	TFB	216.

Size	Act	Damper List Price
18 x 14	TFB	\$233.
20 x 14	TFB	233.
24 x 14	TFB	242.
30 x 14	TFB	275.
36 x 14	TFB	297.
48 x 14	TFB	341.
16 x 16	TFB	216.
18 x 16	TFB	233.
20 x 16	TFB	233.
24 x 16	TFB	244.
30 x 16	TFB	277.
32 x 16	TFB	294.
36 x 16	TFB	294.
48 x 16	TFB	344.
18 x 18	TFB	289.
20 x 18	TFB	289.
24 x 18	TFB	309.
30 x 18	TFB	338.
36 x 18	TFB	358.

Size	Act	Damper List Price
48 x 18	LF	\$409.
20 x 20	TFB	289.
24 x 20	TFB	309.
30 x 20	TFB	338.
36 x 20	TFB	358.
40 x 20	LF	377.
22 x 22	TFB	332.
24 x 24	TFB	332.
30 x 24	TFB	371.
36 x 24	LF	391.
48 x 24	LF	453.
26 x 26	LF	406.
28 x 28	LF	406.
30 x 30	LF	472.
36 x 30	LF	485.
48 x 30	NFBUP	570.
36 x 36	NFBUP	559.
48 x 36	NFBUP	648.
48 x 48	NFBUP	796.



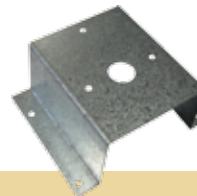
Don't See A Size?

We can cut down the width on any of 5103 to make a smaller size damper.

NET Price Add \$60.00 per damper

Hand Quadrant

List Price \$18.00



2" Insulation Standoff

List Price \$6.00

All dimensions are in inches. Sizes are listed Width x Height.

Belimo Actuators

Model	Usage	Dimensions			List Price		
		H	W	D	Actuator	Actuator with End Switch	Internal Mounting Bracket
TFB	18 inch-lb for damper areas up to 5.5 sq ft.	6.3	3.0	3.3	\$385. TFB24 / TFB120	--	--
LF	35 inch-lb for damper areas up to 8.5 sq ft.	7.7	3.9	3.2	442. LF24 / LF120	\$514. LF24S / LF120S	\$186. ZG-108LF
NFBUP	60 inch-lb for damper areas up to 22 sq ft.	9.7	3.0	3.4	536. NFBUP	651. NFBUPS	242. ZG-118NFB

All dimensions are in inches.

Note: Models LF and TF are available in either 24 or 120 volt. Model NFBUP is universal: 24 or 120 volt.



Model TFB

Model LF

Model NFBUP

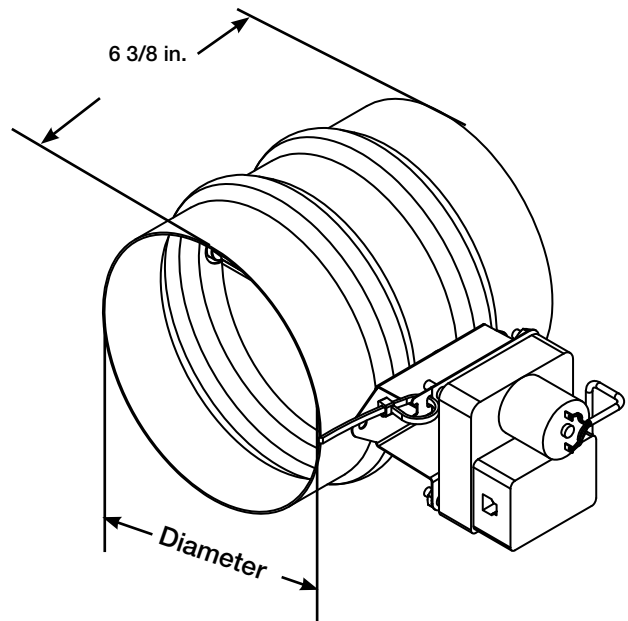
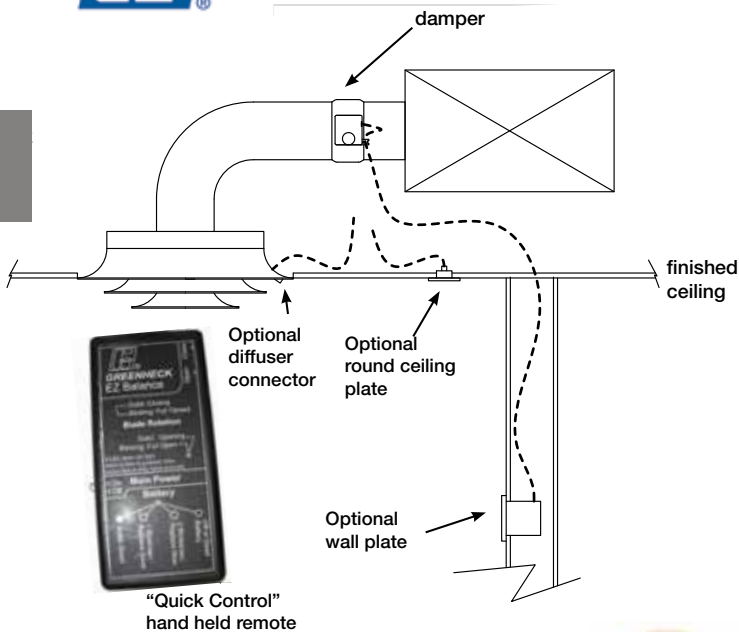


Remote Operated Dampers

Model RBDR50 - Round, Remote Balancing Damper



26



CAT5 Coupler
List Price \$16.



1-Port Ceiling Plate
List Price \$41.



1-Port Wall Plate
List Price \$28.

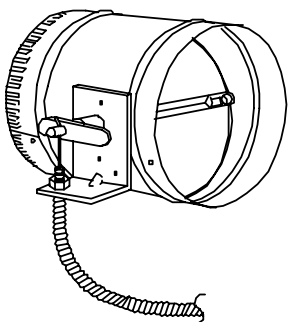


Size	Model RBDR50	List Prices			
		Plenum Rated CAT5 Cable			Quick Control Remote
		14'	25'	50'	
6	\$166.				
8	178.				
10	188.	\$73.	\$79.	\$155.	\$330.
12	193.				
14	199.				

All dimensions are in inches.
① Available QD from Greenheck.

Model 5020 - Round, Cable Control Damper

The Model 5020-CC is a round butterfly damper designed for external control. It includes all the necessary hardware for use with the Bowden Remote Cable Control Kits (Models 270-275, 270-301, 270-896). The Bowden Cable Control kits and wire are sold separately.

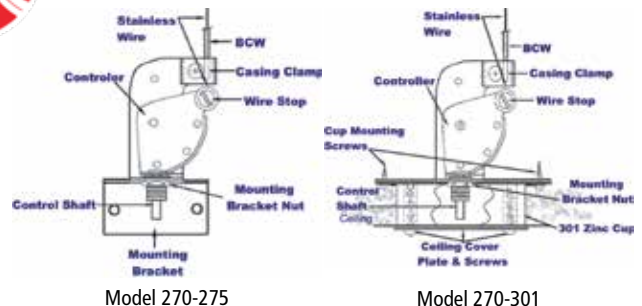


Size	List Price
6	\$102.
8	108.
10	123.
12	125.
14	158.

All dimensions are in inches.



Model 270 - Remote Cable Controls



Model	List Price	Casing/Wire		Socket Wrench
		6'	10'	
270-275B	\$94.			
270-301B	111.	\$27. WIRE 6'	\$44. WIRE 10'	\$24. 030-12
270-896B	126.			



Backdraft Dampers

Model BDD - Aluminum Backdraft Damper

Size	List Price	Size	List Price
6 x 6	\$60.	14 x 14	\$100.
8 x 8	71.	16 x 16	114.
12 x 8	84.	18 x 18	133.
16 x 8	88.	24 x 18	149.
10 x 10	84.	20 x 20	149.
12 x 12	87.	24 x 24	188.
18 x 12	110.	30 x 24	201.
24 x 12	120.	36 x 24	244.

All dimensions are in inches.

Need A Flange?

We can add a flange to any size BDD for a 25% add to the list price.



See Page 57 for additional backdraft dampers



Model RSK - Round Aluminum Backdraft Damper

Diameter	List Price
4	\$42.
5	50.
6	53.
8	75.
10	88.
12	124.
14	377.

All diameters are in inches.

Standard Construction Features

- 20 gauge galvanized steel housing
- Aluminum spring loaded butterfly damper blades
- Damper seals against EDPM rubber gasket in closed position for minimal leakage
- Gasket designed for use in temperatures from -22°F to 180° F.
- Require from 0.04 to 0.08 inches W.G. to begin to open
- May be installed in any position (14" model requires adjusting spring tension if used in vertical position, with airflow down)
- Simple installation - entire assembly inserts into duct
- Exterior foam gaskets assure a tight seal against interior surface of duct.



Model QS - Quick Sleeve Clamp

The Quick-Sleeve is a band-clamp connection that provides a simple, leak-free connection for round ducts.

Model	Diameter	List Price
QS4GA	4	\$55.
QS5GA	5	56.
QS6GA	6	556
QS8GA	8	67.
QS10GA	10	73.
QS12GA	12	82.

All dimensions are in inches.



Moisture Fitting & Drain Cap

When moisture collection is a problem in duct work or a drain pan, a moisture drain is an economical and fast way of installing a leakproof drain.

Model	List Price
DRAINFITTING	\$111.
DRAINCAP	14.



Buckley Penthouse Elevator Louver

Model PELV100 - Buckley Penthouse Elevator Louver

The PELV-100 Penthouse Elevator Vent Louver is a gravity ventilator penthouse with three sides fabricated of Buckley's EAL-4 stationary louver model. A smoke damper with a 120 volt actuator is located in the throat of the unit. The unit is shop assembled and to be shipped attached to the curb with the damper shipped loose.

Standard Construction Features

- Tempered Glass on One Side
- 3 - EAL4 Stationary Louvers
- 36" High Model GPI Roof Curb
- Smoke Damper w/ mounted Honeywell Actuator (Fail Open)



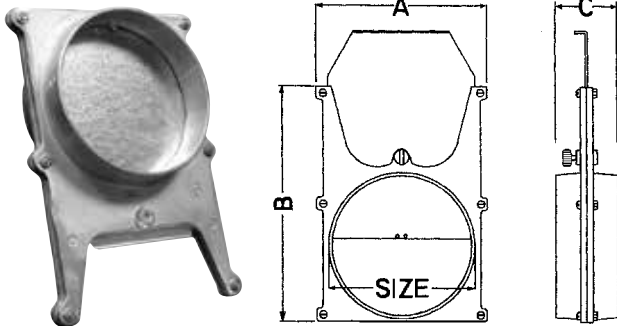
Penthouse Elevator Louvers are made to order products and therefore cannot be returned.

28

Model	Dimensional Data			List Price
	Size	Louver Height	Curb Height	
PELV100-32	32	18	36	\$5318.
PELV100-38	38	18	36	6158.
PELV100-44	44	18	36	6784.

Note: 24-Volt Actuator Also Available
All dimensions are in inches.

Model BGF - Blast Gate, Full Gate Style



Size	A	B	C	List Price
3	4.25	5.63	2.25	\$30.
4	5.13	6.75	2.44	33.
5	6.13	8.13	2.69	43.
6	7.13	10.00	2.75	59.
7	8.00	11.13	2.63	70.
8	9.25	12.00	3.38	91.
10	11.38	14.38	3.63	181.
12	13.38	16.25	3.63	201.
14	15.75	19.00	4.25	347.

All dimensions are in inches.

Stainless Steel Clamps & Cable Ties



Stainless Steel Clamps

Series 56, 5/16" band, plated 5/16 hex head swivel action screw and bridge, worm drive swivel action

Heavy Duty Cable Ties

Rated up to 175lbs, Length 36" (DN36), 48" (DN48). Available in White.

Mechanical Cable Tie Tool

Heavy duty installer controlled tool for use in the field. Pliers action provides mechanical advantage. Padded foam grip handles provide comfort and control.



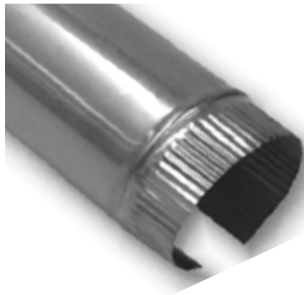
Model	Description	List Price
SS8	Stainless Steel Clamp, 5-8" Diameter	\$4.25
SS12	Stainless Steel Clamp, 9-12" Diameter	6.25
DN36	Plastic Cable Ties, Up to 11" Diameter	27.50
DN48	Plastic Cable Ties, 12-15" Diameter	52.50
DIT-2	Mechanical Cable Tie Tool	86.00

Note: Plastic Cable Ties Model DN36 and DN48 are sold in bags of 50.



Snaplock Pipe & Accessories

A Snaplock Pipe
Model SL



B 90° Elbow
Model EL90



C 45° Elbow
Model EL45



D End Cap
Model PSTOP



E Tee
Model PT



F Sidewall Vent
Model 349



G Stick On Takeoff
Model RATMD



H Reducer
Model PRED



Dia.	List Prices						
	A	B	C	D	E	F	G
	Snaplock Pipe	90° Elbow	45° Elbow	End Cap	Tee	Sidewall Vent ¹	Stick On Takeoff
4	\$18.96	\$6.44	\$8.92	--	--	\$32.05	--
5	22.40	6.88	9.68	--	--	--	--
6	24.24	7.76	10.88	\$12.32	\$26.10	43.75	\$28.90
7	28.12	8.48	12.32	--	--	--	--
8	31.20	9.76	14.96	15.48	34.52	54.35	33.75
9	35.32	15.08	18.72	--	--	--	--
10	39.16	16.72	20.92	19.24	60.76	--	41.25
12	45.92	21.48	26.76	20.94	74.48	--	--
14	55.52	26.20	41.08	22.32	100.36	--	--
16	81.70	63.85	74.36	35.65	178.78	--	--

Snaplock Pipe is sold in 5' sections except for size 16" which is sold in 4' sections.
¹ Sidewall Vent is available with or without a damper. Models without a damper include birdscreen.
 All diameters are in inches.

Dia.	Dia.	List Prices
		H
		Reducer
4	3	\$14.00
5	4	15.20
6	4	16.65
6	5	16.65
7	4	22.75
7	5	22.75
7	6	22.75
8	5	22.85
8	6	22.85
8	7	22.85
9	7	22.85
9	8	22.85
10	6	26.25
10	7	26.25

Dia.	Dia.	List Prices
		H
		Reducer
10	8	\$26.25
10	9	26.25
12	6	29.40
12	7	29.40
12	8	29.40
12	9	29.40
12	10	29.40
14	8	35.70
14	10	35.70
14	12	35.70
16	10	53.90
16	12	53.90
16	14	53.90

All diameters are in inches.



Gasketed Spiral Pipe & Fittings

A Spiral Pipe
Model SP



B Male Coupling
Model CPL-GSK



Non Gasketed Couplings

C Model CPL-F



D Model CPL-MNG

E End Cap
Model PLUG



F 90° Elbow
Model E901/E905



1½ Radius
Model E901 3-12"
Model E905 14-24"
1 Radius
Model ES90-25

G 45° Elbow
Model E451/E453



1½ Radius
Model E451 3-12"
Model E453 14-24"

H Volume Damper
Model VD-108



I Bellmouth
Model BMT



Dia.	List Prices										Dia.
	A	B	C	D	E	F		G	H	I	
	Spiral Pipe	Male Coupling	Female Coupling No Gasket	Male Coupling No Gasket	End Cap	90° Elbow 1 R	90° Elbow 1½ R	45° Elbow 1½ R	Volume Damper	Bellmouth	
3	\$33.	\$12.	--	--	\$18.	--	\$23.	\$76.	--	--	3
4	40.	23.	\$8.	\$9.	32.	--	48.	53.	\$71.	\$35.	4
5	54.	23.	8.	10.	34.	--	50.	55.	--	36.	5
6	55.	24.	9.	11.	36.	\$60.	54.	58.	72.	36.	6
7	66.	25.	11.	12.	38.	--	77.	85.	--	37.	7
8	70.	25.	12.	13.	40.	89.	77.	84.	82.	37.	8
9	87.	25.	13.	14.	43.	--	107.	117.	--	40.	9
10	88.	25.	14.	15.	44.	102.	107.	118.	104.	40.	10
12	104.	27.	15.	17.	48.	126.	129.	142.	120.	42.	12
14	128.	36.	16.	20.	53.	196.	182.	201.	157.	45.	14
16	177.	42.	19.	24.	65.	231.	236.	261.	174.	47.	16
18	193.	45.	22.	26.	76.	280.	303.	335.	207.	50.	18
20	217.	48.	24.	28.	88.	--	318.	389.	--	52.	20
22	241.	52.	26.	30.	98.	--	350.	445.	--	55.	22
24	260.	56.	29.	32.	114.	--	420.	551.	--	57.	24

All diameters are in inches.
Spiral Pipe is sold in 10' sections.



Gasketed Spiral Pipe & Fittings

J Reducer
Model SR



Size	List Price
4 to 3	\$51.
6 to 4	58.
7 to 5	65.
8 to 6	51.
9 to 7	67.
10 to 6	57.
10 to 8	57.
12 to 6	87.
12 to 8	65.
12 to 10	65.
14 to 8	101.
14 to 10	78.
14 to 12	71.
16 to 10	124.
16 to 12	100.
16 to 14	100.
18 to 10	145.
18 to 12	145.
18 to 14	121.
18 to 16	122.
20 to 18	142.
22 to 20	209.
24 to 22	226.

All diameters are in inches.

K Saddle Tap
Model ST-1T



Size	List Price
4 on 6	\$45.
5 on 7	45.
6 on 8	40.
7 on 9	46.
6 on 10	40.
8 on 10	46.
6 on 12	41.
8 on 12	41.
10 on 12	47.
8 on 14	52.
10 on 14	52.
12 on 14	60.
10 on 16	52.
12 on 16	66.
14 on 16	69.
10 on 18	52.
12 on 18	66.
14 on 18	69.
16 on 18	82.
14 on 20	70.
16 on 20	82.
18 on 20	95.
20 on 22	126.
22 on 24	135.

All diameters are in inches.

L Tee
Model TEE



Size	List Price
3 to 3	\$60.
4 to 4	98.
5 to 5	99.
6 to 6	109.
7 to 7	122.
8 to 8	129.
9 to 9	136.
10 to 10	147.

Size	List Price
12 to 12	\$172.
14 to 14	197.
16 to 16	256.
18 to 18	290.
20 to 20	329.
22 to 22	398.
24 to 24	434.

All diameters are in inches.

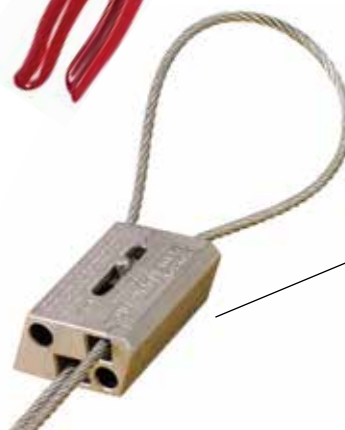
Spiral Accessories



Wire Rope Cutter
Model 894075
List Price \$95.



1/8" Wire Rope
Model 30204
List Price \$205.
Spool of 500'



Cable Lock
Model CL18
List Price \$61.
Bag of 10



Need a Spiral Register?
Page 7



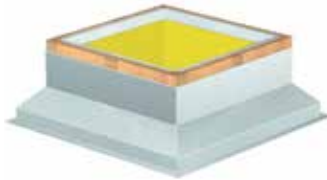
Roof Curbs

Buckley Roof Curbs

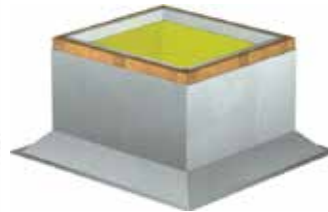
Model GPI
Straight, 2" Flange



Model BRC200
45° Cant Step



BRC300
45° Cant



Model GPI
Pitched, 2" Flange



Model KE100
Kitchen Exhaust Curb
2" Flange



Model BCA100
Curb Adapter



Standard Construction

Models GPI, GPI, BRC200,300

- 18 Gauge Galvanized Steel
- 12" Height
- Wood Nailer (except on GPI)
- 1" Thick, 3 lb. Fiberglass Insulation

Kitchen Exhaust Curb, Model KE100

- 18 Gauge Galvanized Steel
- Heights Vary by size
- Vented on Four Sides

Curb Adapter, Model BCA100

- 18 Gauge Galvanized Steel

Optional Accessories

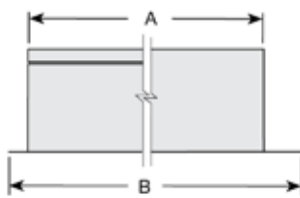
- Aluminum Construction
- Pressure-Treated Wood Nailer
- 24 Gauge Galvanized Steel Liner
- Heights larger than 12"
- Burglar Bars
- Rectangular Sizes
- Different Size Flanges
- Acoustic Baffles

Pricing Notes

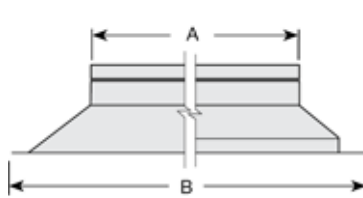
- BRC200: Step height required
- GPI: Pitch per 12" required
- Pricing a Rectangular Size:
Length × Width ÷ 2 = Size Equivalent + 10%



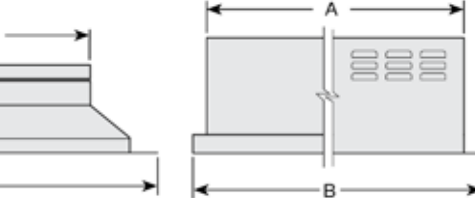
Roof Curbs with the exception of Model GPI are made to order products and therefore cannot be returned.



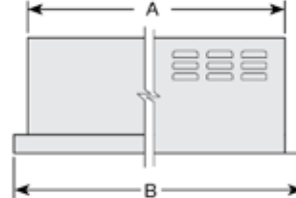
Model GPI



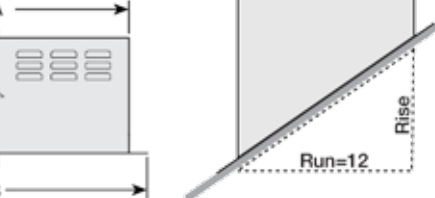
Model BRC300



Model BRC200



Model BCA100



Model KE100

Model GPI

Size	Dimensional Information						List Prices								
	GPI		BRC200 BRC300		KE100		GPI	BRC300	BRC200	GPI	KE100	BCA100	Damper Tray Model DT	½" Burglar Bars*	
	A	B	A	B	A	B									
17	16	20	16	24	--	--	\$206.	\$428.	\$389.	\$328.	--	\$188.	\$60.	\$184.	
19	18	22	18	26	18½	22½	219.	458.	404.	353.	\$386.	200.	60.	184.	
22	21	25	21	29	21½	25½	238.	457.	424.	381.	416.	218.	60.	184.	
30	29	33	29	37	29½	33½	304.	583.	492.	490.	428.	269.	90.	308.	
34	33	37	33	41	33½	37½	338.	605.	548.	541.	482.	307.	90.	396.	
40	39	43	39	47	39½	43½	392.	694.	618.	627.	552.	384.	90.	526.	
46	45	49	45	53	45½	49½	432.	760.	704.	691.	605.	386.	120.	687.	
52	51	55	51	59	51½	55½	602.	1112.	1010.	Call	772.	436.	120.	991.	
58	57	61	57	65	57½	61½	649.	1179.	1071.	Call	732.	545.	120.	1071.	
64	63	67	63	71	63½	67½	712.	1374.	1374.	Call	--	600.	--	1174.	

All dimensions are in inches.

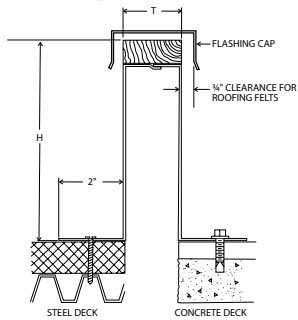
* Price add for mounting in curb model selected.



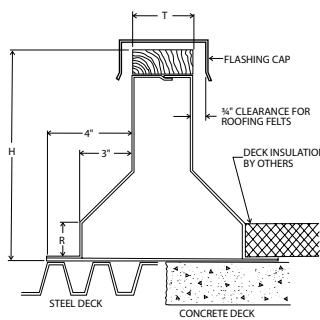
Equipment Supports

Buckley Equipment Supports

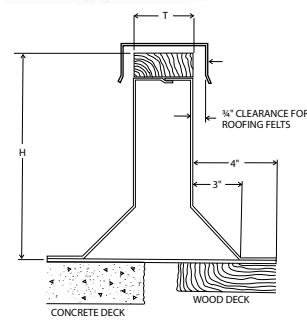
Model ES100
Self Flashing,
Surface Mount Straight



Model ES200
Surface Mount
45° Cant Step



Model ES300
Surface Mount
45° Cant



Standard Construction

Models ES100,200,300

- 18 Gauge Galvanized Steel
- 12" Height, 4" Width
- Wood Nailer

Optional Accessories

- Widths: 4", 6", 8"
- Aluminum Construction
- Pressure-Treated Wood Nailer
- 14, 16 Gauge Galvanized Steel

Pricing Notes

- Equipment Supports must be ordered Length x Width x Height



Equipment Supports are made to order products and therefore cannot be returned.

Length	List Prices / Standard 4" Width					
	Model ES100		Model ES200		Model ES300	
	Height		Height		Height	
	≤ 12"	≤ 24"	≤ 12"	≤ 24"	≤ 12"	≤ 24"
12	\$212.	\$297.	\$269.	\$377.	\$244.	\$342.
24	254.	355.	318.	445.	292.	408.
36	299.	419.	374.	523.	344.	482.
48	344.	482.	430.	603.	395.	554.
60	389.	544.	487.	681.	447.	627.
72	433.	605.	541.	757.	497.	696.
84	477.	668.	597.	836.	549.	768.
96	521.	730.	651.	911.	599.	839.
108	567.	794.	709.	991.	652.	913.
120	665.	930.	832.	1164.	765.	1071.
132	708.	991.	886.	1240.	814.	1140.
144	752.	1053.	941.	1317.	865.	1211.

All dimensions are in inches.

Width	List Price
4	List Price
6	List x 1.20
8	List x 1.30

All dimensions are in inches.

