

GSM/GPRS/GPS PORTABLE VEHICLE TRACKER USER MANUAL



Preface

Thank you for purchasing the tracker. This manual shows how to operate the device smoothly and correctly. Make sure to read this manual carefully before using this product. Please note that specification and information are subject to changes without prior notice in this manual.

Any change will be integrated in the latest release. The manufacturer assumes no responsibility for any errors or omissions in this document.

Contents

I.	Introduction	3
	1. Main Features	3
	2. Applications	3
	3. Hardware Description	3
	4. Accessories	5
	5. Specifications	6
II.	Installation and operating	6
	1. Production installation	6
	2. INT & EXT switch	7
	3. SIM card installation	7
	4. Battery Charging	8
III.	Basic functions	8
	1. ON/OFF Function	8
	2. Initialization	8
	3. Change Password	9
	4. Add and Delete Authorization	9
	5. Single Locating	9
	6 Auto track continuously	10
	6.1 Track with limited times upon time interval:	10
	6.2 Track with unlimited times upon time interval:	10
	6.3 Smart track upon time and distance interval:	10
	7. Automatic update positions of vehicle turns	10
	8. GPS drift suppression	11
	9. Get location in absolute street address	11
	10. Location Based Service (LBS)	11
	11 Check the Vehicle State	11
	12. Check IMEI	12
	13. Terminal (local) Time Setting	12
	14. Monitor (Voice Surveillance)	12
	15 Data logging	12
	16 Data Load	13
	17 Forward the third parties' message	13
	18 Charges Inquiry	13
	19. Cut off the Oil and Power System	13
	19.1 Execute immediately Mode	13
	19.2. Execute depends on speed(Default mode)	14
	20. Resume the Oil and Power System	14
	21. Tracker's Hardware Resetting	14
	22. Sleep Mode	14
	22.1. Sleep by time	14

22.2. Sleep by shock sensor	14
22.3 Deep Sleep by Shock Sensor	15
22.4 Start Work on specific time	15
22.5 No sleep mode	15
IV. Alarm Function and settings	15
1. Geo-fence	15
2 Multi-area management	16
3 Movement alarm	16
4. Over Speed Alarm	17
5. Accident alarm (Option)	17
6. Shock Sensor Alarm	17
7. SOS	17
8. Low battery alarm	17
9. Power off alarm	18
10. GPS blind Spot alert	18
V. TCP/UDP switch	18
VI. Configure parameters by USB	18
VII. GPRS Setting	18
1. Setting up APN	18
2. GPRS User Name and password Setup	18
3. IP and Port Setup	19
4. Modes Switch between “SMS” and “GPRS”	19
5. Less GPRS traffic	19
6. GPRS tracking & monitoring platform	19
VIII. Set up monitor center number	19
IX. Cautions	20
X. Simple Faults & the Solutions	20
XI. LED indicator status	21

I. Introduction

This tracker is a new product based on the GSM / GPRS network and GPS satellite positioning system, which set multiple functions of security, positioning, monitoring surveillance, emergency alarms and tracking in its entirety. It can track and monitor remote target by SMS or internet.

1. Main Features

- 1.1 Waterproof shell
- 1.2 Built-in large capacity 6000MA battery, standby about 4 months in sleep mode and 12 months in deep sleep mode.
- 1.3 Powerful magnets to absorb to vehicle firmly.
- 1.4 Real-time tracking, retrieve of lost vehicles, cargo.
- 1.5 Movement alarm, Geo-fence alarm, shock sensor alarm, remote monitoring.
- 1.6 Support map viewing on mobile phone screen, get absolute address by SMS, GPRS real time tracking on web based server.
- 1.7 Built-in high sensitivity GPS and GSM antenna to make it can be used alone without installation, convenient and quick.
- 1.8 Support for external GSM antenna, GPS antenna, and external power supply for the tracker to be installed on the device which can provide power for long-term using.

2. Applications

Application: Locating and tracking service for cars, trucks, container trucks, special vehicles, cargo and criminal investigation officer.

3. Hardware Description

3.1 Front face

Built-in
GSM
ANT

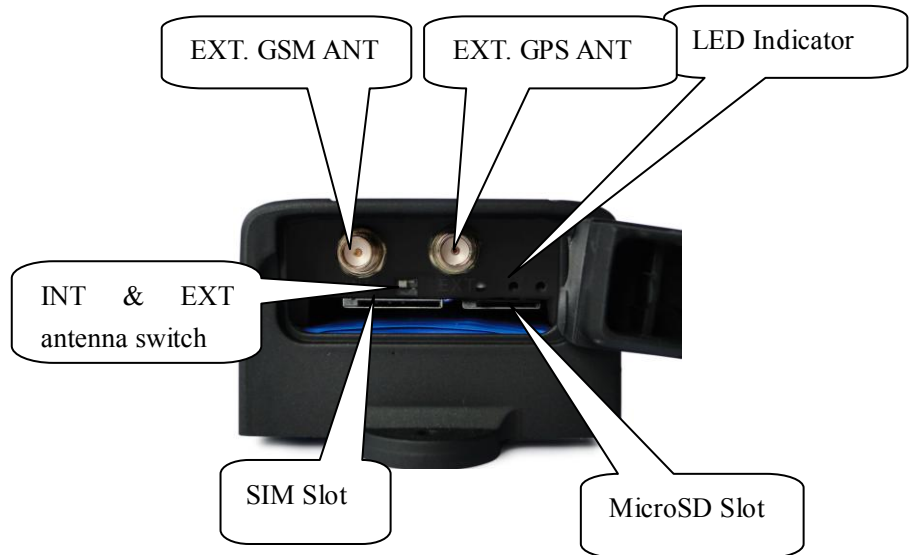
Built-in GPS ANT

3.2 Rear face

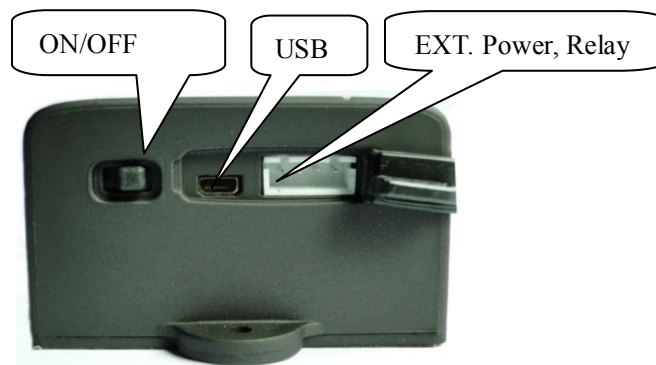
Built-in
powerful
magnet &
large Battery



3.3 Side face



3.4 Side face



3.5 Side face



4. Accessories

No.	Pictures	Name	Specs
1		AC Adapter	Input: AC 110-220V, Output DC: 1.5A, 12V
2		Lighter car adapter	Car 12V OR 24V power
3		GPS Antenna	3 meters
4		GSM Antenna	2 meters
5		Harness	4PIN
6		Relay	12V/40A OR 24V/40A depends on the vehicle type

5. Specifications

Content	specifications	
DIM.	94mm*60mm*38mm	
Weight	300g	
Network	GSM/GPRS	
Band	850/900/1800/1900Mhz	
GPS sensitivity	-159dBm	
GPS Accuracy	5m	
GPS Start time	Cold status	45s
	Hot status	1s
EXT. power	DC 12 V -24V	
Operating Current	Sleep Current	1.8mA
	Deep sleep	0.6mA
	GSM operating Current	68mA ± 3mA
	GPRS Current(data transfer)	82mA ± 10mA
Battery	3.7V 6000mA/h Polymer battery	
Charge current	1A ± 0.2A	
Charge time	7h	
Standby time	Sleep	4 months
	Deep sleep	12 months
Storage Temp.	-40°C to +85°C	
Operation Temp.	-20°C to +65°C	
Humidity	5%--95% non-condensing	

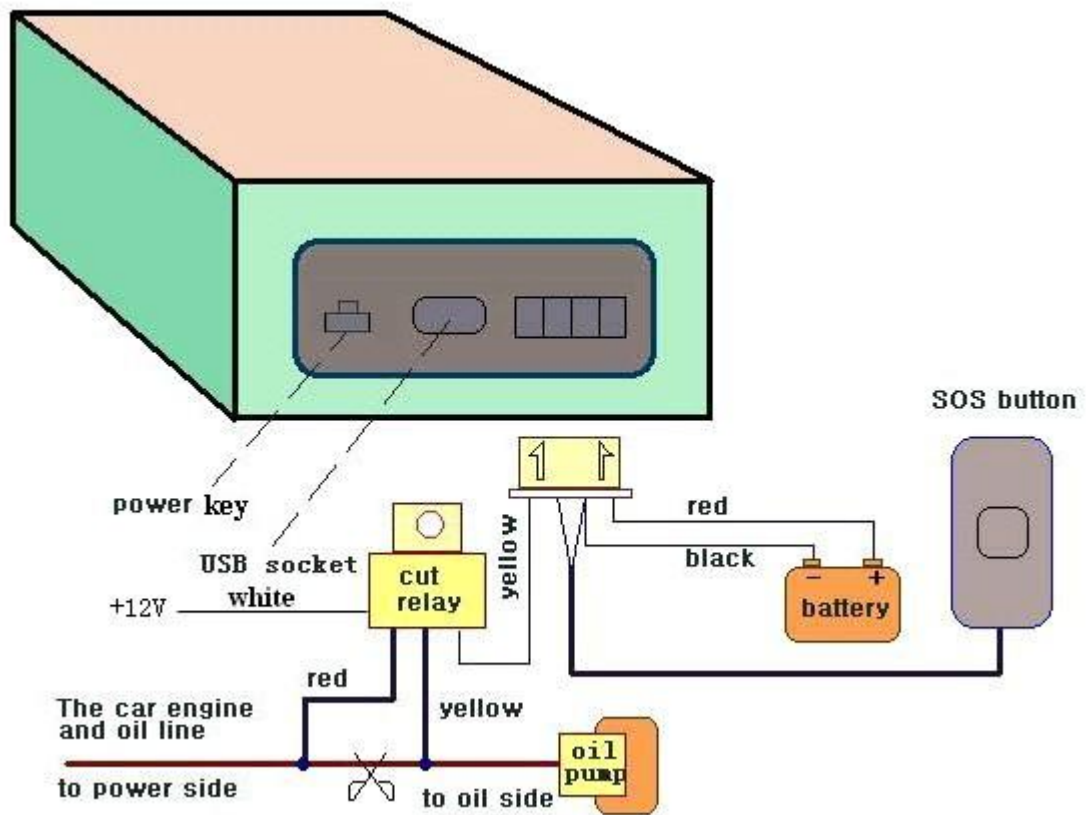
II. Installation and operating

1. Production installation

- 1.1 The product is easy to install. The built-in powerful magnet can make it to be directly adsorbed on the iron objects.
- 1.2 Built-in GPS and GSM antenna, external antenna can be optional.
- 1.3 The tracker is waterproof, but please still avoids the long-term placement in the places of water

infiltration.

1.4 If you need an external power supply, cut oil & power system and SOS feature, please find 4PIN main wire, wiring diagram as follows:



Note: Please install SOS button on the hidden place driver can touch.

2. INT & EXT switch

Switch to INT to change to use internal antenna; switch to EXT to change to use external antenna

3. SIM card installation

3.1 Open the waterproof sealant and insert SIM card as following picture shows, push it to the end to install SIM card correctly. The SIM card will pop up if press it after installed.



3.2 Please make sure that the SIM card is GSM network and able to execute the function of incoming calls display, no calls can be diverted and the PIN code is locked. The SMS format must be TXT format, and can't recognize the PDU format.

4. Battery Charging

Please fully charge the product for the first use and charge as following:

4.1 Home charge: Find the AC adapter from the accessories and connect 4-PIN plug into 4-PIN socket, and then connect the other end to mains supply.

4.2 Car charge: Find the car lighter charger from the accessories and connect to car cigarette lighter.

Note: Red LED ON means being charged, and LED OFF means fully charged, and then charging can be stopped. If the battery can't be fully charged once, then unplug the charger for about 10 minutes and then charge it one more time.

III. Basic functions

Note: Please don't type "+" for all the command in this manual, "space" means press the space button on the cell phone keyboard.

1. ON/OFF Function

1.1 In the OFF state, switch ON/OFF to ON position, then the three LED will flash 1 time, which means the tracker has been switched on.

2. Initialization

Send SMS "begin+password" to tracker, it will reply "begin ok" and return to the default

factory settings. (Default password is: 123456). For example: Send SMS "begin123456" to tracker, it will reply "begin ok".

3. Change Password

Send SMS "password+old password+space+new password" to the tracker to change the password. For example: Send SMS "password123456 888888" to tracker, it will reply "password OK", it means the password has changed successfully. And please keep the new password in mind.

Note: The new password must be 6 digits Arabic numbers, or the tracker can't recognize.

4. Add and Delete Authorization

4.1 Authorization phone number is the phone number you used for tracking, controlling, receiving alarms, etc, and only 5 phone numbers are allowed to be authorized in the tracker at most. Add authorization as following two ways:

4.2 For the first authorization, Call and track the tracker device for 10 times from cell phone in success, it will make the cell phone number as the authorized number automatically, and reply "add master ok".

4.3 Authorization: Send SMS "admin+password+space+cell phone number" to set up an authorized number, the other authorized numbers should be set by the first authorized number, "admin OK" will be returned after command executed.

If you need to track the target tracker device when it enters into another country, you must add the country code before the cell phone number, for example, send SMS "admin123456 008613322221111" to the device. Note: 13322221111 will be set up as the authorized number.

4.4 Delete authorization: Send SMS "noadmin+password+space+authorized number" to delete the authorized number.

5. Single Locating

Any number call the tracker device, it will reply a SMS including the position of latitude and longitude if don't set up the authorized number. If authorized number has set successfully, the device won't reply when the unauthorized number dials up it. Dialing the tracker device from the authorized number, it will hang up your calling and respond to a real-time latitude and longitude message as following:



*Tracking location, when no GPS signal, the SMS includes the last valid latitude & longitude as well as the LAC code of current position, the LAC code can be input in the column of “manual track” menu of web platform.

6 Auto track continuously

6.1 Track with limited times upon time interval:

Send SMS command “fix030s005n+password” to the tracker device, it will report the latitude & longitude at 30s intervals for 5 times. (s:second, m:minute, h:hour). This command must be in 3 digits and the maximum value is 255.

6.2 Track with unlimited times upon time interval:

Send SMS “fix030s***n+password” to the tracker device, it will reply the latitude & longitude continuously at 30 seconds intervals.

Note: the interval must not less than 20s.

6.3 Smart track upon time and distance interval:

6.3.1 Please set "track with unlimited times upon time interval" before this function, and send "distance+password+space+distance", tracker will reply "Distance ok", and then tracker will locate upon both the pre-set time and distance.

E.G: Send "distance123456 0050", it means distance is 50 meters; the number must be 4 digits Arabic numbers.

6.3.2 Set this function on web server: Set time interval first and then distance interval, tracker will locate upon the time and distance.

6.4 Cancel: Send SMS “nofix+password” to the tracker device to cancel the “auto track”.

7. Automatic update positions of vehicle turns

7.1 The tracker will update the positions automatically to web server once the vehicle

changing driving direction over pre set angle value to form a smooth trajectory consistent with the actual road, this function is only effective in GPRS mode.

7.2 Send "angle+password+space+angle" to tracker, it will reply" angle ok".

7.3 The angle must be 3 digits Arabic numbers, default angle value is 30 degrees.

8. GPS drift suppression

8.1 This function is deactivated as default, send "suppress+password" to tracker to activate, it will reply" suppress drift ok". The GPS data stop updating if vehicle is not moving and latitude and longitude always keep same, and GPS data updates automatically when vehicle is moving.

8.2 Cancel: send "nosuppress+password" to tracker, it will reply" nosuppress ok ".

9. Get location in absolute street address

You must set up the APN of your local GSM network for the SIM card in tracker first before using this function, if your local GSM network need user name and password for gprs, please setup according to the GPRS instructions in chapter VII. Send SMS "address+password" to tracker after setup APN, tracker will reply detailed absolute address including street name.

10. Location Based Service (LBS)

When the tracker device doesn't receive valid GPS signals, tracker will locate by LBS (location based service), the messages includes the GPS coordinates of the last position in SMS mode, but the LAC in message is the current new position, the location can be seen by input the LAC code in the menu "Manual Track" of web platform www.gpstrackerxy.com, you can also send command "address+password" to tracker to get the newest absolute address and GPS coordinates as well; tracker will automatically switch to track by LBS in GPRS mode, and actualized on the map of web server with "LBS" mark. And there may be some inaccuracy with actual location by LBS tracking; the bias depends on GSM reception.

Note: This feature can be used normally in most areas according to the signal of GSM network, but it may not be available in some areas.

11 Check the Vehicle State.

Send SMS "check+password" to tracker to check charge status, battery status, GPS status,

GSM reception status. For example, send SMS “check123456”, and following information will be returned after execute the command:

Power: Power off /charging/charge finish

Battery: 100%

GPS: OK/NO GPS

GSM Signal: 1-32 (The higher digit it shows; the stronger of GSM signals it receives.)

12. Check IMEI

Send SMS "imei+password" to the unit. For example, Send SMS "imei123456" to the tracker device, an IMEI number in 15 digits will be returned.

13. Terminal (local) Time Setting

Send SMS “time+space+zone+password+space+time” to the tracker unit, If succeed, It will reply “time OK”. For example: Send SMS “time zone123456 8”, 8 is the time zone of China, If your time zone is minus, send SMS like “time zone123456 -8”.

14. Monitor (Voice Surveillance)

14.1 The command to switch between Track and Monitor are “tracker” and “ monitor”.

14.2 The default mode is “track” (Track mode).

14.3 Send SMS “monitor+password” to the unit, and it will reply “monitor ok!” and switch to “monitor” mode.

14.4 Send SMS “tracker+password” to the unit, it will reply “tracker ok!” and restore to “track” mode

15 Data logging

15.1 Auto logging: When the tracker device lost GSM signals or fall offline from GPRS, tracker will log the tracking position and alerts automatically in the SD card on the basis of the pre-set condition, when GSM signals get back, all the event alerts will be auto-sent to the authorized numbers or monitoring platform (server), but the logged tracking data should be loaded to the monitoring platform via SMS command.

15.2 Logging upon times: Send SMS: “save030s005n+password” to the tracker unit, it will reply “save ok”, and will log the lat, long locations every 30 seconds for 5 times. (S: second, m: minute; h: hour).

15.3 Multi-logging: Send SMS:”save030s***n+password” to tracker device, it will reply “save ok”.

15.4 Logging Clearance: send SMS: “clear+password” to tracker device, it will reply “clear ok”.

15.5 Logging Volume: Built-in flash 1MB (store about 16,000 positions); expanded volume

depends on the SD card inserted.

15.6 The logged data in SD card can be copied to computers through card reader, and then the data route can be checked by importing data in the menu "Data Import" of web platform www.gpstrackerxy.com

16 Data Load

16.1 Current date Load: Send SMS: "load+password" to tracker device, it will reply: "load ok" if the device is working well under GPRS mode; if not, it will reply "load fail! Please check gprs" that means device does not work under GPRS mode.

16.2 Specified date Load: Send SMS: "load+password+space+year month date" to tracker device, it will reply: "load ok" and load the tracking data to the monitoring platform upon the valid time you choose. For Example: send SMS: "load123456 20110425" to the tracker device, means to load the tracking data of 25th April 2011 to monitoring platform.

17 Forward the third parties' message

17.1 Send SMS "forward+password+space+third parties phone number" from authorized phone number, tracker will reply "forward ok", and supports 1 third parties phone numbers at most.

For example, set the phone number of the service provider of the simcard in the tracker, when charge remind message coming in, tracker will forward it to authorized phone number.

17.2 Cancel: Send SMS command "noforward+password".

18 Charges Inquiry

Send SMS command "balance+password+space+carrier's phone number+space+code" to tracker, it will forward the content to the specified phone number and return the content from the specified phone number.

19. Cut off the Oil and Power System

19.1 Execute immediately Mode

Send command "quickstop+password" to tracker, it will reply "quickstop OK". Then

tracker will stop the car immediately after “stop” command.

Send command “stop+password” to tracker, tracker will execute it and reply “Stop engine Succeed”. And it will remain immobile state until next command to resume.

19.2. Execute depends on speed(Default mode)

Send command “noquickstop+password” to tracker, It will reply “noquickstop OK”, Then the tracker won’t stop the car immediately after “stop” command during the speed above 20KM/H, instead, it will reply “it will be executed after speed less than 20KM/H”, and stop the car when the speed is less than 20KM/H.

20. Resume the Oil and Power System

Send “resume+password” to tracker, it will reply "Resume engine succeed", that means vehicle has resume the oil supply.

21. Tracker’s Hardware Resetting

Send SMS “reset+password” to tracker device to reset the GSM module and GPS module of the tracker device, it will reply “reset ok”.

22. Sleep Mode

22.1. Sleep by time

Send "sleep+password+space+time", tracker will reply "sleep time ok" if none of the alarms/alerts has been set and no operations in 5 minutes, tracker will fall asleep, GPS module shut off, and LED will be off too. Calling or SMS can awake the tracker. If alarms have been set, tracker will enter sleep by detecting shock sensor. And tracker sleeps by time as default.

22.2. Sleep by shock sensor

Send "sleep+password+space+shock", tracker will reply "sleep shock ok", it will enter sleep mode **if no vibration detecting**, GPS module shut off, and LED will be off too. Vibration or any operations can awake it.

22.3 Deep Sleep by Shock Sensor

Send "sleep+password+space+deepshock", tracker will reply "sleep deepshock ok" it will enter sleep mode if no vibration detecting, GPS & GSM module shut off, and LED will be off too. Only vibration can awake it, and tracker will send awake message automatically after wake up.

22.4 Start Work on specific time

Send "schedule+password+space+1h ", It will awake every one hour, automatically send location message after waking. (m: minute; h: hour; d: day). The maximum time interval is set to three digits, and not more than 30 days. After sending this message, GPS & GSM module shut off Calls or messages can not awake it. Alarms can be triggered and work normally. Restore deep sleep until disarm the alarms.

Cancel: After the tracker awake, send "noschedule+password" to deactivate the function.

22.5 No sleep mode

Send SMS "sleep+password+space+off", it will reply "sleep off ok". Tracker won't sleep and GSM, GPS, LED always work

IV. Alarm Function and settings

All the alarms will be send to all the authorized phone numbers once the alarms are triggered in SMS mode, if the tracker keep in triggered status and alarms are not be cancelled, tracker will keep sending alarms to authorized phone numbers every 3 minutes. If tracker works in GPRS mode instead of SMS mode, tracker will send alarms to web based server.

1. GEO-FENCE

1.1 Set up a geo-fence for the tracker device to restrict its movements within a district. The unit will send SMS to the authorized numbers when it goes out of this district.

Set up: When the unit stays immobile in a place for 3-10 minutes, the user can send SMS "stockade+password+space+latitude,longitude;latitude,longitude" to unit to set the restricted district. In case of breach, it will send SMS "stockade!+geo-info" to the authorized numbers. Tracker will stop sending alarm if tracker returns to the fence after geo-fence triggered

Latitude and longitude format is like dd.dddddd, the decimal is 6 digits, latitude of south or longitude of west please add "-" before it. The first latitude & longitude is coordinate

of the top left corner of the Geo-fence, while the second latitude & longitude is the coordinate of the bottom right corner

1.2 Cancel: Send SMS “nostockade+password” to deactivate this function.

2 MULTI-AREA MANAGEMENT

2.1 Set Area

Send SMS command

"area+password+space+latitude,longitude+space+areaname,distanceM" to tracker(distance unit: M for meter, K for kilometer), it will reply "area01 ok".

Example: Send "area123456 22.353648,113.543678 school,800M".

Note: 5 areas at most and the distance between two points can't be less than the total distance in the 2 commands, and different areas can't cover each other.

2.2 Delete areas

Send SMS command:"noarea+password+space+area name", tracker will reply:"noarea ok".

2.3 Rename and set distance

Send SMS command "rename+password+space+old name;new name,distanceM" to tracker, if name is not repeated and area doesn't cover others, it will reply "rename ok!" for successful configuration.

Example: Send"rename123456 area01;school,800M", it means the new area name is "school", and covers area of a radius of 800 meters.

2.4 Activate multi-area management

Send SMS command "area+password+space+on" to tracker, it will reply "Area on ok!", when tracker enter the pre set area, it will send SMS "area name+latitude & longitude" to all the authorized phone number, and send same SMS when goes out of the area.

2.5 Deactivate Multi-area management

Send SMS command "area+password+space+off" to tracker, it will reply "area off ok!"

3 MOVEMENT ALARM

3.1 Set up: when the unit stays immobile in a place for 3-10 minutes with GPS signal

reception, the user can send SMS“move+password+space+0200” to the tracker (Suppose area of a radius of 200 meters, it supports 4 digits at most. Unit: Meter). It will reply “move OK”. In case of such a movement (the default distance is 200m), it will send SMS “Move+ latitude & longitude” to the authorized numbers at 3 minutes interval.

3.2 Cancel: Send SMS “nomove+password” to deactivate the movement alarm.

4. OVER SPEED ALARM

4.1 Over speed alarm will be triggered when tracker exceed the speed you setup.

Setup: Send SMS “speed+password+space+speed” to tracker device and it will reply “speed ok!”, it means you have set up over speed alarm successfully. For example: “speed123456 080” 080 refers to 80km/h, when tracker’s speed exceed 80km/h, tracker will send SMS “speed+080!+ Geo-info” to authorized numbers.

4.2 Cancel: Send SMS “nospeed+password” to deactivate the over speed alarm.

Remark: The recommended speed should be not less than 30km/h. For below that rate, it will be effected the accuracy by gps signals drift etc.

5. ACCIDENT ALARM (OPTION)

5.1 When tracker detects accident occurred (severe impact), it will send " Accident! + latitude & longitude " to all authorized phone numbers.

5.2 Cancel: Send"noaccident+password" to cancel accident alarm.

6. SHOCK SENSOR ALARM

6.1 Setup: Shock sensor alarm is deactivated in default settings. If needed, please send SMS “shock+password” to tracker device, and it will reply “Shock is activated!”, it means shock sensor alarm has set up successfully. When the tracker detect vibration, it will send SMS “Sensor alarm+Geo-info” to authorized numbers.

Note: Shock sensor detect vibration one time for each 3 minutes, it will start to detect the second shock sensor alarm 3 minutes after the first alarm.

6.2 Cancel: Send "noshock+password" to cancel the shock sensor alarm.

6.3 Shock sensor sensitivity configuration:

The sensitivity of the built-in shock sensor has three different level:

First level: Alarm will be triggered after detect slight vibration, send command" sensitivity+password+space+1" .

Second level: Alarm will be triggered after detect 8 times vibration in 2 seconds, send command" sensitivity+password+space+2".

Third level: Alarm will be triggered after detect 25 times vibration in 5 seconds, send command" sensitivity+password+space+3".

7. SOS

Long Press the SOS button for 3 seconds, the tracker device will send SMS “help me!+lat./long. to all the authorized numbers in 3 minutes interval. It will stop sending SMS “help me” when received a reply from any one of the authorized numbers.

8. Low battery alarm

8.1 Send SMS “lowbattery+password+space+on”, it will send SMS “low battery+latitude/longitude” to authorized numbers 2 times in total **in 15 minutes interval** when voltage of battery is going to be about 3.55V.

8.2 This function activates as default, send SMS “lowbattery+password+space+off” to

deactivate.

9. Power off alarm

9.1 This function deactivate as default, send “ extpower+password+space+on” to activate, it will send SMS “power alarm+latitude/longitude” to authorized numbers every 3 minutes when external power is cut off.

9.2 Cancel: Send SMS “ extpower+password+space+off” to deactivate it.

10. GPS blind Spot alert

10.1 This function deactivates as default, send SMS “gpssignal+password+space+on”, it will send alert SMS “no gps+last valid latitude/longitude before lost signal”

10.2 Send SMS “gpssignal+password+space+off” to deactivate.

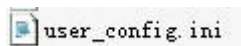
V. TCP/UDP switch

Command: "gprs+password,1,1" switch to UDP mode.

Command: "gprs+password,0,0" switch back to TCP mode, this is the default mode.

VI. Configure parameters by USB

Connect tracker to computer with the USB cable (option), and open



with notepad and operate it according to the examples.

Note: Correct password is need every time you configure the tracker.

VII. GPRS Setting

User must send SMS via cell phone to set up APN, IP and port before starting tracking by GPRS. Please setup according to following steps

1. SETTING UP APN

Send SMS “APN+password+space+APN”, the tracker will reply “APN OK” is succeeded. For example: Send SMS “ APN123456 CMNET”.

Note: CMNET is the APN of china GSM network, the APN varies with different GSM network operator in different countries, please check with your local GPRS network operator to get the correct APN.

2. GPRS USER NAME AND PASSWORD SETUP

In most countries, the user name and password involving GPRS login are not

compulsorily necessary, therefore, the entry can be skipped. For those countries requiring user name and password, please configure as following:

Send SMS “up+password+space+user+space+password”, If succeeded, tracker will reply “user, password ok!”, for example: send SMS “up123456 jonnes 666666”

Note: 123456 is password of tracker, jonnes is the user name for GPRS login, 666666 is the password for GPRS login.

3. IP AND PORT SETUP

Send SMS “adminip+password+space+IP+space+port”, tracker will reply “adminip ok” if succeed. For example: send SMS “adminip123456 202.104.150.75 9000”, tracker will reply “adminip ok” if succeed.

Note: 123456 is the password of tracker, and 202.104.150.75 is the ip, 9000 is the port.

4. MODES SWITCH BETWEEN “SMS” AND “GPRS”

4.1 The default mode is “SMS”.

4.2 Send SMS “GPRS+password” to the unit, and it will reply “GPRS ok!” it means tracker device has switched to “GPRS” mode.

4.3 Send SMS “SMS+password” to the unit, it will reply “SMS ok!” and restore to “SMS” mode.

5. LESS GPRS TRAFFIC

5.1 Tracker will change to less GPRS traffic mode after parking 10 minutes, GPRS disconnect and connect again when alarm being triggered or start driving.

5.2 Activate this function: Send "less gprs123456 on", tracker will reply "less gprs on ok".

5.3 Deactivate this function: Send "less gprs123456 off", tracker will reply "less gprs off ok".

Note: 123456 is the password of tracker, and replace it with the new if you have changed.

6. GPRS TRACKING & MONITORING PLATFORM

6.1 Web based platform www.gpstrackerxy.com. Configuration IP: 202.104.150.75 Port: 9000. Please check “software platform user manual” included in the CD for detailed operation information.

6.2 PC based tracking software and user manual is included in the CD in package [Platform user manual].

VIII. Set up monitor center number

1. Setup: send command “centernum+password+space+number” to tracker, it will reply “centernum ok”. After setup monitor center number, the messages of auto track by sms will be set to this center number, if all alarms need to send to this number too, then please set up this center number as authorized number. E.G send

centernum123456 13800138000.

2. Cancel: Send “nocenternum+password” to tracker, it will reply “no center num ok”.

IX. Cautions

1. Don't put the unit in overheated or overcooled places.
2. Handle carefully. Don't vibrate or shake it violently.
3. Clear the unit with a piece of dry cloth. Don't clean in chemicals, detergent.
4. Don't paint the unit, this may cause some foreign materials left in between the parts.
5. Don't disassemble or refit the unit. .
6. Please read the user manual carefully before installation and operation, learn something more about the voltage range. Otherwise, it won't work properly or destroy the product.

X. Simple Faults & the Solutions

Faults	Analyze	Solution
Fail to turn on	Battery power is low	Connect with charger
NO GSM signals	1.GSM Antenna is not connect well 2. SIM card is not properly placed	1.Check GSM antenna connection 2. check SIMCARD installation or change SIMCARD.
Hang up Fail	In existence of an authorized number, an unauthorized number dials up the unit.	Please delete the authorized number or initialize the unit.
Monitor Fail	In existence of an authorized number, an unauthorized number dials up the unit.	Please delete the authorized number or initialize the unit.
GPS Fix Fail	1. GPS reception is poor. 2. GPS antenna is not connected well.	1.Put GPS in an open area 2.Check connection of GPS antenna
GPRS Connecting Fail	1. APN, IP address and port may be wrong. 2.No GPRS subscription service 3. No credit for the SIMCARD	1, Configure APN, IP and port again. 2, Subscribe GPRS service 3, Topped up the SIMCARD.

XI. LED indicator status

LED Indicator	Status	
Power LED (Red)	Red LED flash	Low power
	Red LED ON	Charging
	Red LED OFF	Fully charged
GSM LED (Green)	ON	NO GSM reception
	Quick flash for each second	GSM Mode
	Slowly flash for each 3 seconds	GPRS Mode
GPS LED (Blue)	OFF	No GPS reception
	Quick flash for each second	Good GPS reception