

CUSTOMER INFO

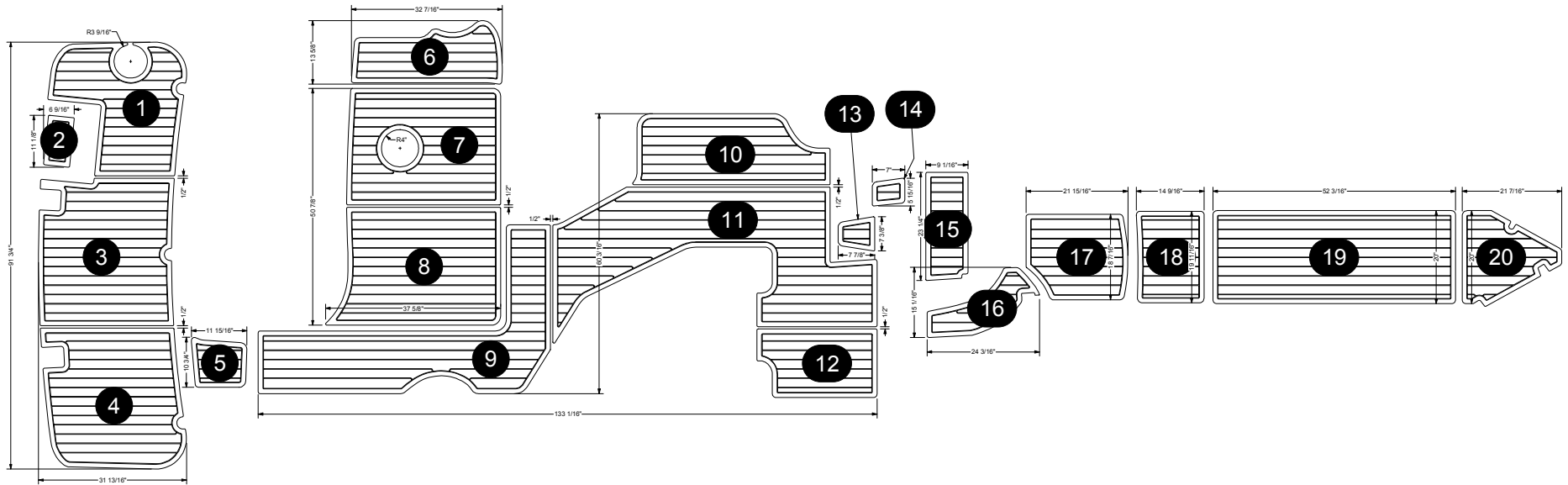
BOAT MAKE	RINKER
BOAT MODEL	'03 FIESTA VEE 270
CUST. PART NAME	FULL KIT
SEADEK P/N	31875

MATERIAL INFORMATION [BOM]

TEXTURE	BRUSHED
TOP SHEET	3 MM COLOR TBD
BOT SHEET	3 MM COLOR TBD
OVERALL	6 MM COLOR LAMINATE
ADHESION	PRESSURE SENSITIVE ADHESIVE
LOGO STYLE	TEAK
EDGE STYLE	COVE

PART LIST

ID	DESCRIPTION / LOCATION	ID	DESCRIPTION / LOCATION
1	PORT SPP	11	COCKPIT FLOOR
2	MISC PAD	12	COCKPIT FLOOR
3	MID SPP	13	DASH PAD STEP
4	STBD SPP	14	DASH PAD STEP
5	STERN STEP	15	CABIN STEP
6	COCKPIT FLOOR	16	DASH WALK WAY
7	COCKPIT FLOOR	17	DASH WALK WAY
8	COCKPIT FLOOR	18	BOW WALK WAY
9	COCKPIT FLOOR	19	BOW WALK WAY
10	COCKPIT FLOOR	20	ANCHOR LOCKER



← GRAIN DIRECTION

COPYRIGHT AND CONFIDENTIAL INFORMATION NOTICE
 ©2016 HYPERFORM, INC. ALL RIGHTS RESERVED. THIS DOCUMENT, AND THE INFORMATION CONTAINED HEREIN, ARE THE SOLELY OWNED CONFIDENTIAL INFORMATION OF HYPERFORM, INC. AND ARE NOT TO BE TRANSMITTED OR REPRODUCED WITHOUT THE EXPRESS WRITTEN AUTHORIZATION OF HYPERFORM, INC. OR HYPERFORM INC. DBA SEADEK

000	FIRST VERSION
ID	DESCRIPTION

REVISIONS

BW	09-29-17
REV BY	DATE

DRAWN BY: B. WELLY DATE: 09-29-17

DRAWING FOR REFERENCE ONLY. | TOL: ± 0.0625

M-RNR-31875