

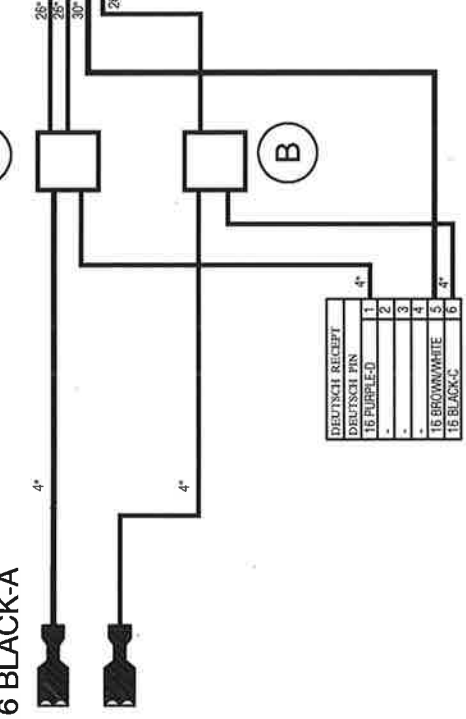


①  
SPEEDO  
16 PURPLE-A  
16 BLACK-A

②  
TRIM  
34721-DT06-4S  
34722-W.LOCK  
(4)32954-SOCKET 16-18 GA

③

DEUTSCH PLUG
DEUTSCH SOCKET
16 PURPLE-B
16 PURPLE-C
16 BROWN/WHITE
16 BLACK-B



③

CENTER HRNS  
32964-DT04-6P  
32965-W.LOCK  
(3)32955-PIN MALE 16-18 GA  
(3)39118-CAVITY PLUG

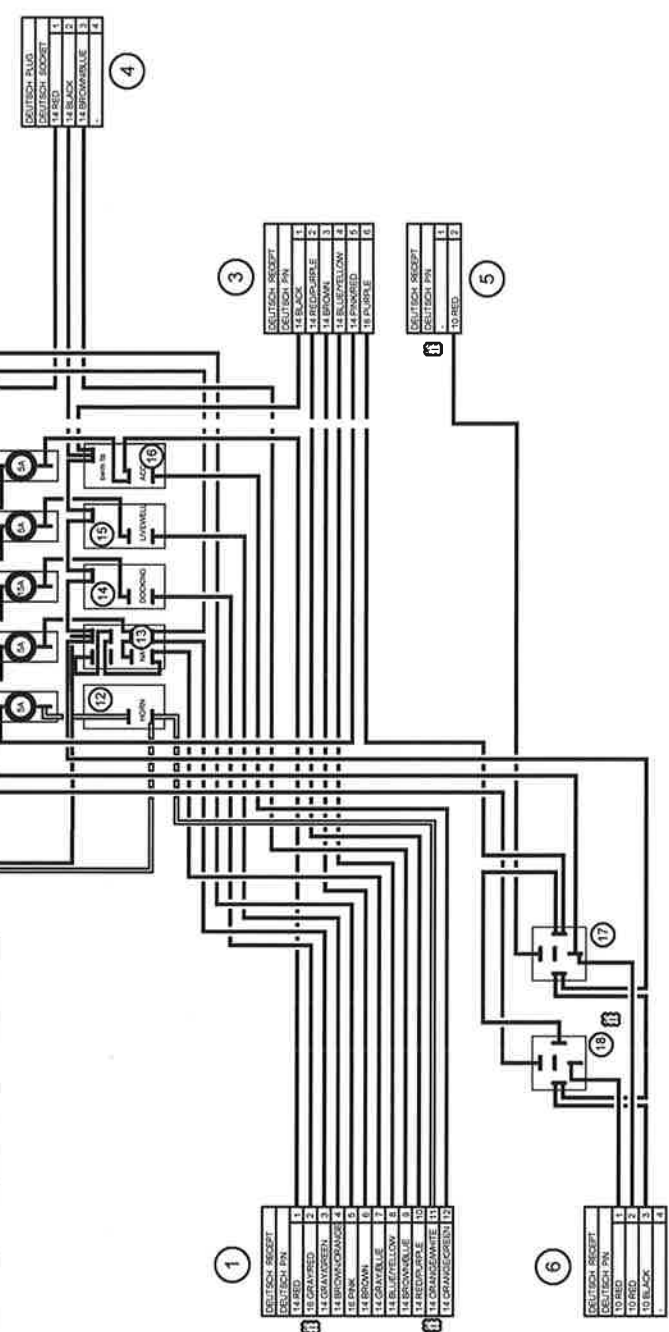
CONNECTORS

PART #	TOTAL	DRAWING
30691	2	

TITLE: HARN PGTL 45		SIZE: B
HON TRIM AP/SWPE		SCALE: NONE
VISITL: O 13 O 11	INTERIM	PART NUMBER: 70323
GODFREY MARINE STRATONIA, IN		
DRWN: BS 6/24/13	CKD: [redacted]	LINK STD: [redacted]
B WIRE LENGTH CHANGES PW 10/26/16	BY: DATE: CKD: USED: IN: [redacted]	
A RELEASE TO QUOTE PW 08/21/16		
SYM: REVISION DESCRIPTION		



PART NUMBER	DESCRIPTION	TOTAL	BREAKOUT LOCATION
33124	SW BODY F-(N) SP/ST BLK NO C2	1	12
38472	SW BODY N-F-N DPTD 1 LITE	1	13
33086	SW BODY N-F SP/ST BLK LITE C2	3	14, 15, 16
65082-A	ACT PRNT CONT III HORN RED	1	12
33486	ACT CONT III 1 RD LNS NAV/ANC	1	13
65083	ACT CONT III DOCK LTS 166951	1	14
65085	ACT CONT III ACC *38423DUPL	1	16
60579	BRKR 5 AMP W/BLK BUTTON	4	7, 8, 10, 11
60581	BRKR 15 AMP W/BLK BUTTON	1	9
32099	BRKR BOOT BLK 3/8 THREAD	5	7, 8, 9, 10, 11
53519	ACT PRNT CONT III LIVEWELL	1	15
70444	RELAY 12V 40A SPDT PLG/BRK RES	2	17, 18



ASSY #	PNL NUMBER	HARNESS	BOAT MODEL
59122	69223 CHRY	403481	SWPE
403480, 403445	69220 GRYWD	403481	SWPE, SWPE & 196/226 FD
404257	69361 SUMATRA	403481	SWPE

REV	SYN	REVISION DESCRIPTION	BY	DATE	USED ON
J		SHEET NOT AFFECTED	DF	9/17/19	
I		MULTIPLE CHANGES	SB	8/22/19	
H		REMOVE 70547 FROM ASSY 021218-7	RJR	2/27/18	
G		UPADATE BOAT MODEL DESCRIPTION	JLJ	10/4/17	

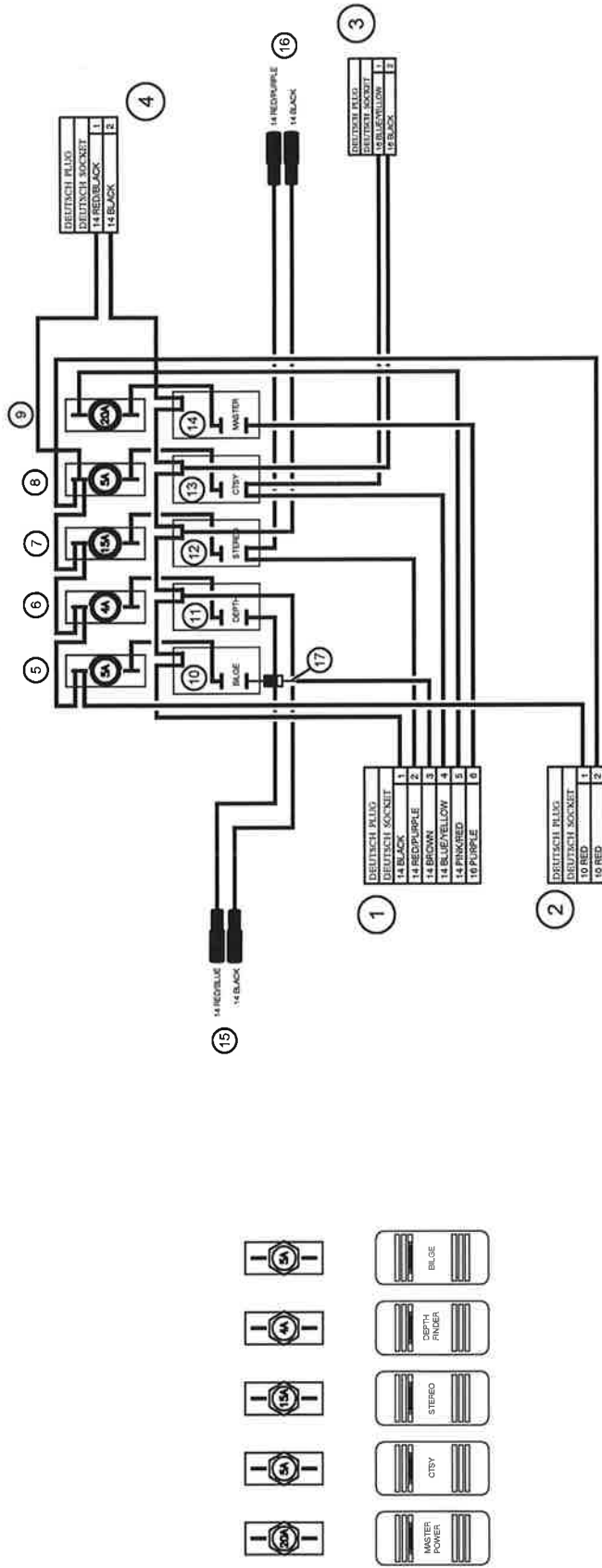
  

TITLE	STBD SW ASSY	SIZE	B
VISIBL	O 83 O 10	SCALE	NONE
INTERIM		DRWN	BS 6/8/16
		CKD	
		BLANK STD	
		PART NUMBER	MULTIPLE

GODFREY MARINE	
STRAUCUSE, IN	

PART NUMBER	DESCRIPTION	TOTAL	BREAKOUT LOCATION
33086	SW BODY N-F SP/ST BLK LITE C2	5	10, 11, 12, 13, 14
69259	ACT PRNT LENS STEREO	1	12
33887	ACT HRD BLK 1 RD LNS BILGE	1	10
31363	BRKR 4 AMP W/BLK BTTN	1	6
60579	BRKR 5 AMP W/BLK BTTN MPI NCNR	2	5, 8
60581	BRKR 15 AMP W/BLK BTTN NCNR	1	7
60582	BRKR 20 AMP W/BLK BTTN MPI(350)	1	9
32099	BRKR BOOT BLK 3/8 THREAD	5	5, 6, 7, 8, 9
59186	ACT PRNT CONT III DEPTH FINDER	1	11
69348	ACT PRNT CONT III MASTER POWER	1	14
70460	ACT CONT III PRINT LENS CTSY	1	13



ASSY #	PNL COLOR	HARNESS	BOAT MODEL
59124	69221 CHERRY	403483	SWPE
403482, 403446	69219 GRAYWD	403483	SWPE, SWPE & 196/226 FD
404258	69362 SUMATRA	403483	SWPE

REVISION	DESCRIPTION	BY	DATE	USED IN
G	REMOVE 70547 FROM ASSY 021218-7	RJR	2/27/18	
SYM				

TITLE	PORT SW ASSY	SIZE
GODFREY MARINE	SWPE & 196/226 FD	B
SYMBOL	VISIBLE	SCALE
DRWN	0	NONE
C-K-D	0	PART NUMBER
BY DATE	0	MULTIPLE