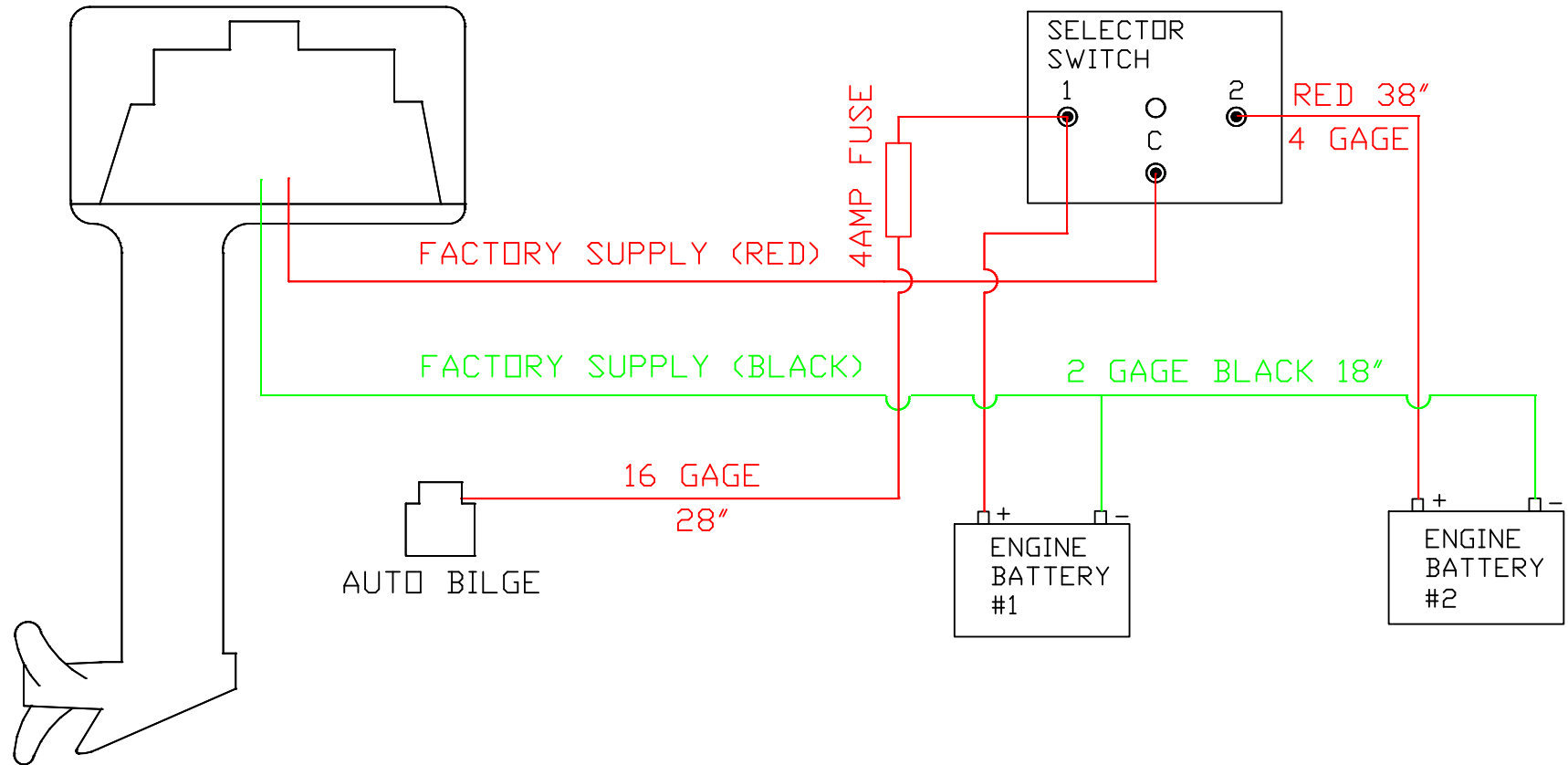


GENERIC O/B DUEL BATTERY SWITCH WIRING



FD&SD ALL O/B		
SCALE: NONE	APPROVED BY	DRAWN BY
DATE: 1-15-99		RON SCHILTZ
DUAL BATTERY SELECTOR		
GODFREY MARINE		DRAWING NUMBER FD&SD-8-2