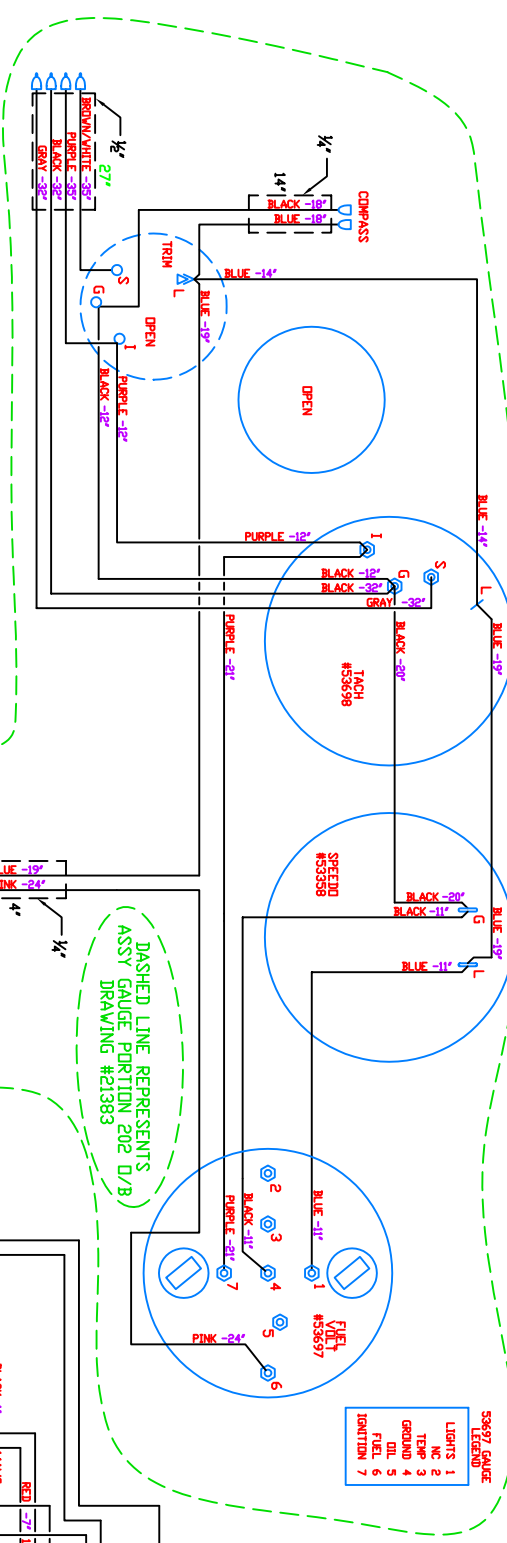
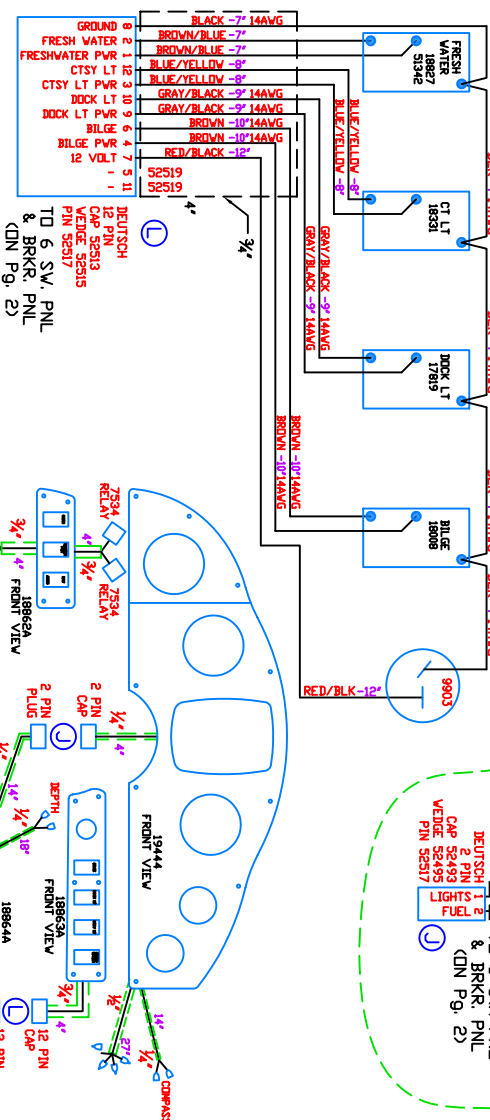


REV	DESCRIPTION	DATE	BY
A	ISSUED	10-29-03	EAS
B	CHANGED LIVE WIRE TO 24V	11-23-03	EAS
C	DELETED GAUGE TABLE PLUGS	2-19-04	KCB
D	SWAP PLACES WITH FRESH WATER, DOCK LT, CT LT	3-25-04	KCB
E	SWAP PLACES POWER, HEAT, NAV/ANCH DOCK LT, CT LT	3-25-04	KCB
F	CHANGE GAUGE PANEL TACH FIELD, VOLT, AND WIRE LENGTHS	7-2-04	KWH

REVISIONS



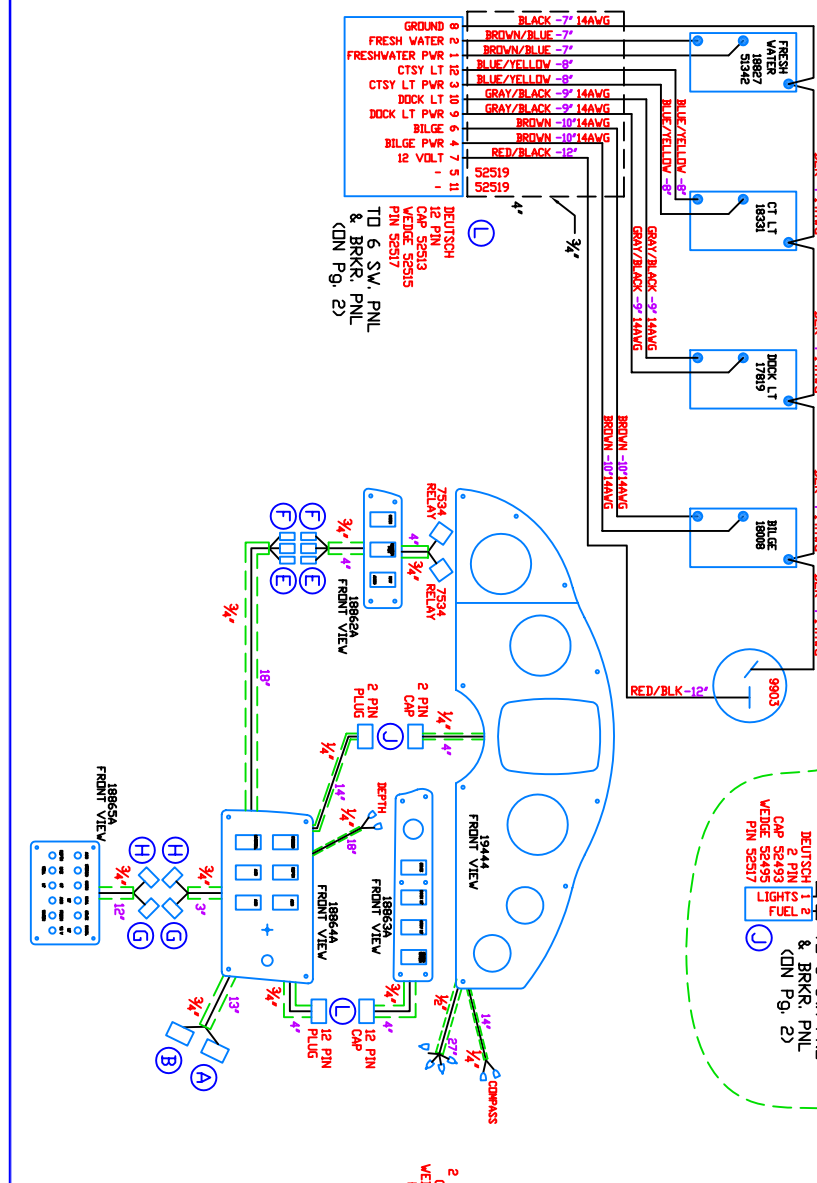
DASHED LINE REPRESENTS ASSY GAUGE PORTION #21383



APPLY GRAY FLAME RETARDANT CONDUIT UP TO CON. (PER GODFREY)

19444 GAUGE PNL
18862 3 SW, PNL
18863 4 SW, PNL

UNIFORCE ELECTRONICS	PROJECT	DATE	SCALE	SHEET
UNIFORCE ELECTRONICS NORTH LITTLE ROCK, AR 680 940-3883	GODFREY	6-16-03	1/1	2
DESIGNER	APPROVALS	DATE <td>FILE NAME <td>DWG NO. </td></td>	FILE NAME <td>DWG NO. </td>	DWG NO.
4627E	37161SH1	202 / D/B	37161	1
DECKBOARD	ENC CODE	DO NOT SCALE DRAWING		



UNIFORCE ELECTRONICS	PROJECT	DATE	SCALE	SHEET
UNIFORCE ELECTRONICS NORTH LITTLE ROCK, AR 680 940-3883	GODFREY	6-16-03	1/1	2
DESIGNER	APPROVALS	DATE <td>FILE NAME <td>DWG NO. </td></td>	FILE NAME <td>DWG NO. </td>	DWG NO.
4627E	37161SH1	202 / D/B	37161	1
DECKBOARD	ENC CODE	DO NOT SCALE DRAWING		