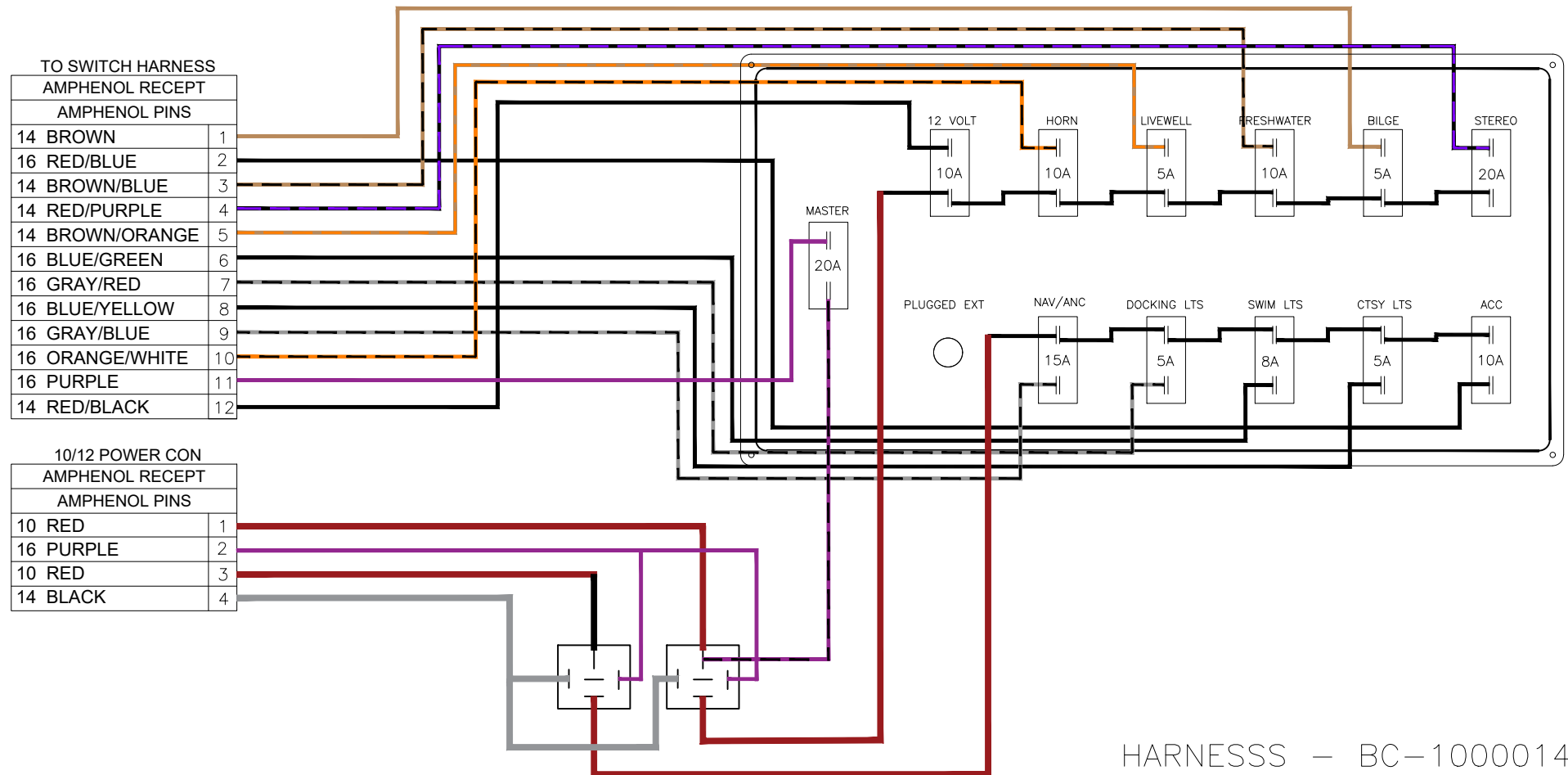




# 196/226/236



HARNESSS - BC-10000147

 <b>QES</b> QUALITY ENGINEERED SERVICES SYRACUSE, IN	TITLE: 196/226/236 BREAKER-PANEL	REV. —
	VISIBILITY: <input checked="" type="checkbox"/> YES <input checked="" type="checkbox"/> NO	SCALE: X
DRWN: AC-7/21/21	CUSTOMER P/N: —	PART NUMBER: 5001780
REVISION: —	USED BY: GODFREY	