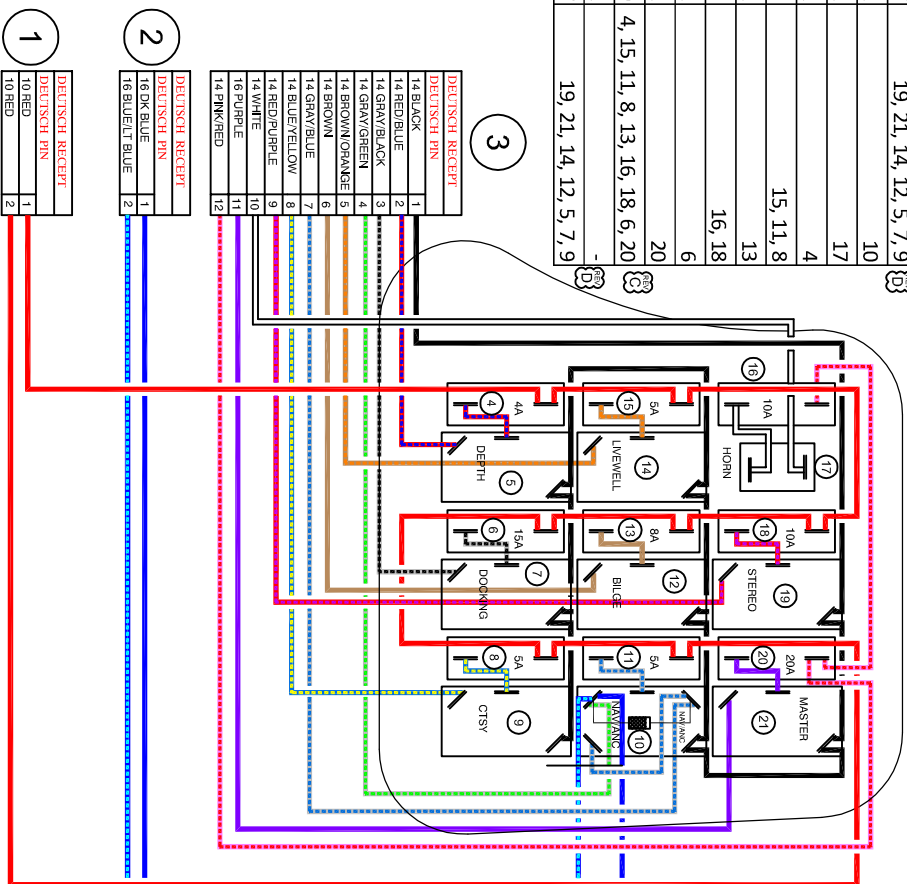


PART NUMBER	DESCRIPTION	TOTAL	BREAKOUT LOCATION
60009	SWITCH TOGGLE W/BLUE LIGHT	7	19, 21, 14, 12, 5, 7, 9
70457	SWITCH BLUE LIGHT TOGGLE ON/OFF/ON	1	10
30480	BUTTON HORN	1	17
70401	BREAKER 4 AMP	1	4
32360	BREAKER 5 AMP	3	15, 11, 8
31467	BREAKER 8 AMP	1	13
30576	BREAKER 10 AMP	2	16, 18
32362	BREAKER 15 AMP	1	6
32362	BREAKER 20 AMP	1	20
70547	WASHER/SPACER .5000DX.375IDX.0	9	4, 15, 11, 8, 13, 16, 18, 6, 20
67523	PANEL PORT SWITCH/BREAKER 187/188 IO/OB	1	-
70705	BRKR NUT BLK ANNOIDIZED	7	19, 21, 14, 12, 5, 7, 9



CRITICAL INFORMATION

HRNS 283238

D CHANGE SWITCHES FROM 60009--A		PW	P9111	TITLE: ASSY SWITCH		SIZE: B
C CHANGE LOCK NUT		PW	111516-1	HARN		SCALE: NONE
B REMOVED BROWN DIODE		JW	6/15/16	DRAWN BS 7/11/13		PART NUMBER 283237
A REMOVE 2 DROPS		RM	8/4/13	DATE CKD USED DM		
SYM REVISION DESCRIPTION		BY	DATE	CKD	USED	DM

GODFREY
MARINE

VISIBLE: O YES O NO
MATERIAL:
SCALE: NONE
PART NUMBER: 283237