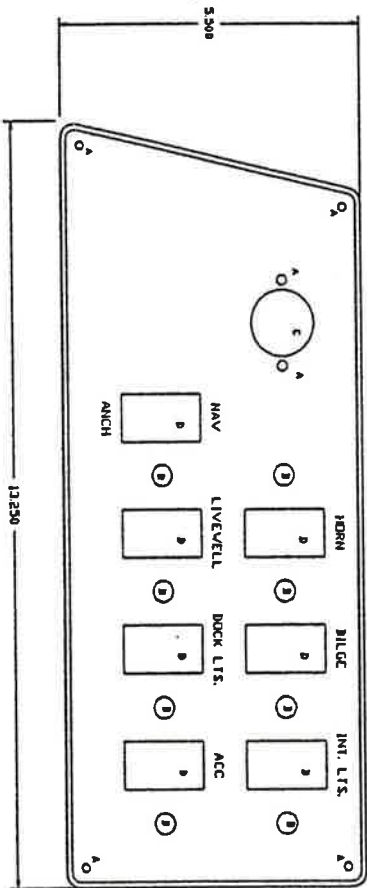


RECEIVED NOV 15 1995



— 239 R 11P.

REF TOOLING 14894

REVISIONS	
NO.	DATE

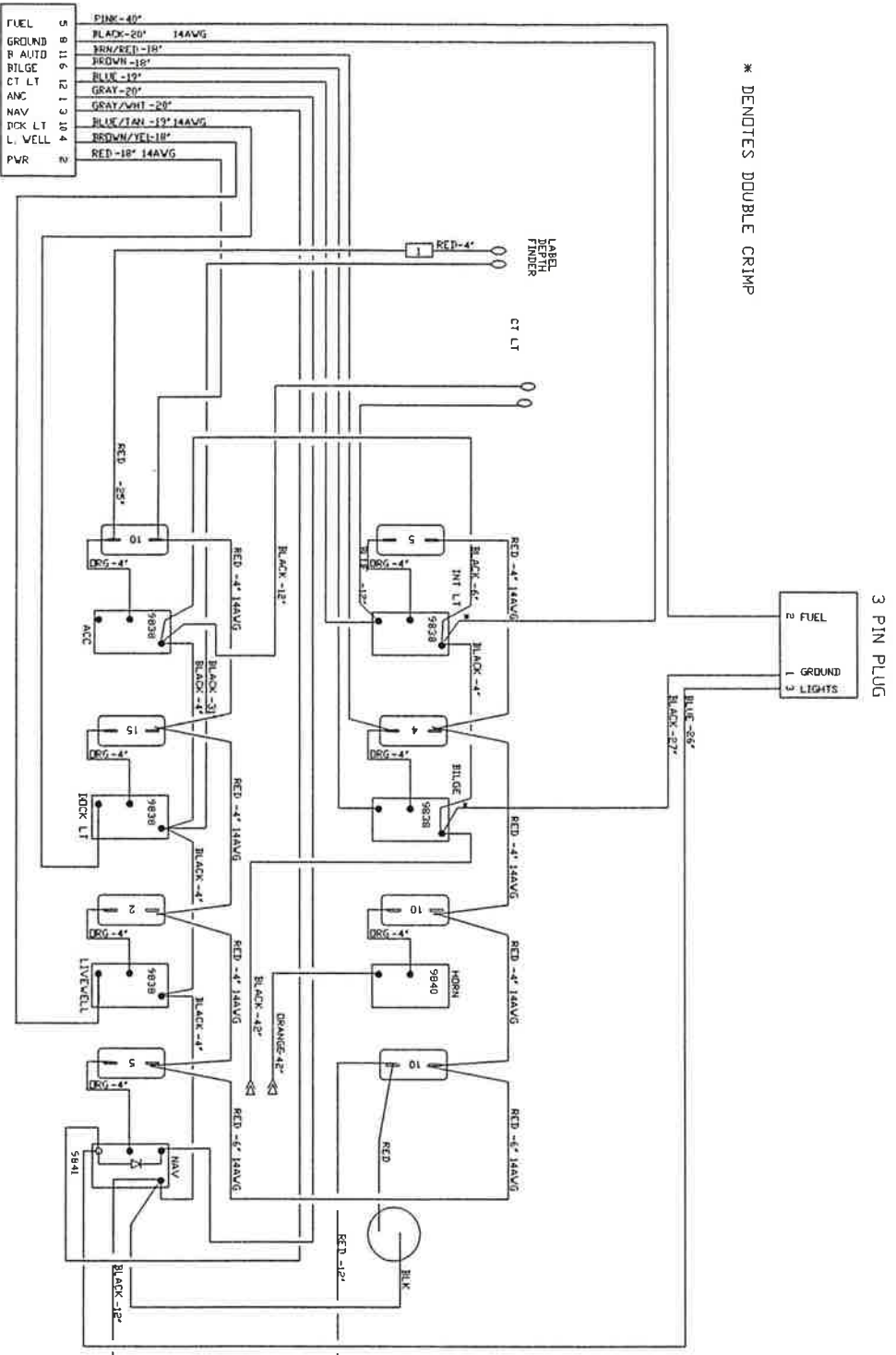
NO.	DATE	DESCRIPTION	BY	CHKD.
1	11/15/95	REVISED TO REF TOOLING 14894		
2				
3				
4				
5				
6				
7				
8				
9				
10				

NO.	DATE	DESCRIPTION	BY	CHKD.
1	11/15/95	REVISED TO REF TOOLING 14894		
2				
3				
4				
5				
6				
7				
8				
9				
10				

NO.	DATE	DESCRIPTION	BY	CHKD.
1	11/15/95	REVISED TO REF TOOLING 14894		
2				
3				
4				
5				
6				
7				
8				
9				
10				

NO.	DATE	DESCRIPTION	BY	CHKD.
1	11/15/95	REVISED TO REF TOOLING 14894		
2				
3				
4				
5				
6				
7				
8				
9				
10				

RECEIVED NOV 15 1995



* DENOTES DOUBLE CRIMP

3 PIN PLUG

12 PIN CAP

FUEL	5	PINK-40"	
GROUND	8	BLACK-20"	14AVG
R AUTO	11	BROWN-18"	
BILGE	6	BLUE-18"	
CT LT	12	GRAY-20"	
ANC	1	GRAY/WHI-20"	
NAV	3	BLUE/WHI-19"	14AVG
DCK LT	10	BROWN/YEL-18"	
L. WELL	4	RED-18"	14AVG
PWR	2		

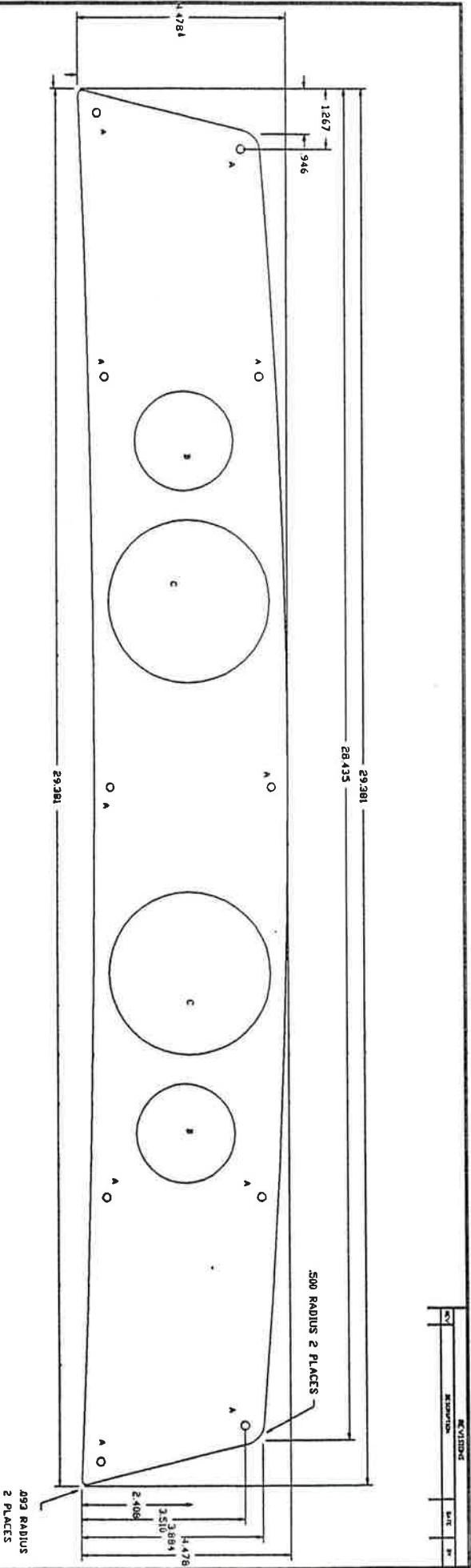
DO NOT DOUBLE CRIMP 14AVG WIRES

LABEL
RADIO
LEADS

REV	DESCRIPTION	DATE	BY
1	REV. 1.0		
2	REV. 2.0		
3	REV. 3.0		
4	REV. 4.0		
5	REV. 5.0		

UNIFORCE ELECTRONICS	34411SH	34411	1
DATE	1/7/88		
APPROVALS			
DESIGNED BY			
CHECKED BY			
DATE			
PROJECT			
CLIENT			
DATE			
REVISED			
BY			
DATE			
SCALE	1/1		

RECEIVED NOV 15 1995



REF TODDLING 14896

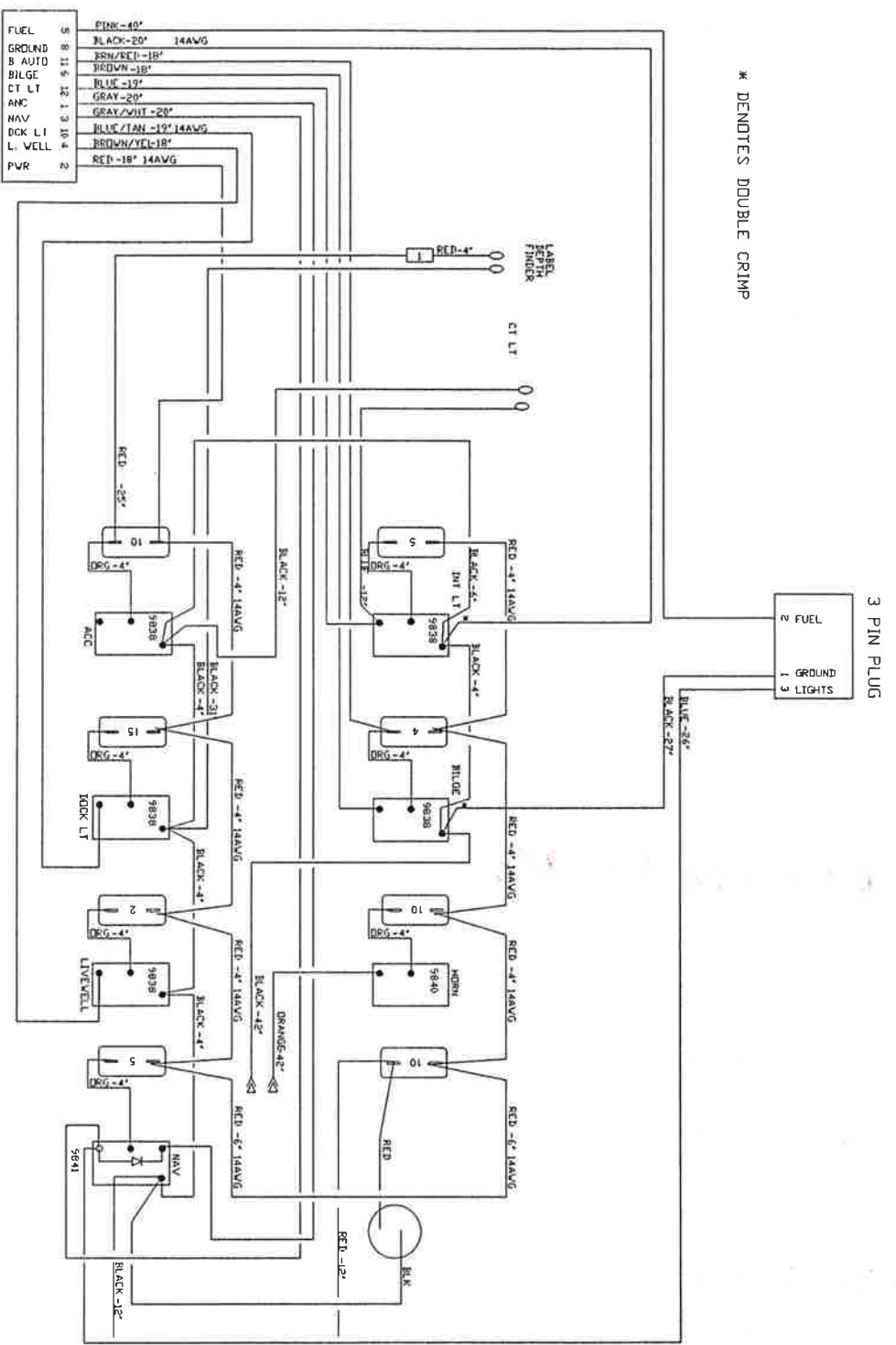
NOTE: USESES SAME ART BUT BLK LINES, LTRS, BDR AS 14215

REV	DESCRIPTION	DATE	BY

UNIFORCE ELECTRONICS 187 DOWE GRAY 14897/2511 14897	UNIFORCE ELECTRONICS 187 DOWE GRAY 14897/2511 14897
---------------------------------------------------------------------	---------------------------------------------------------------------

RECEIVED NOV 15 1995

12 PIN CAP

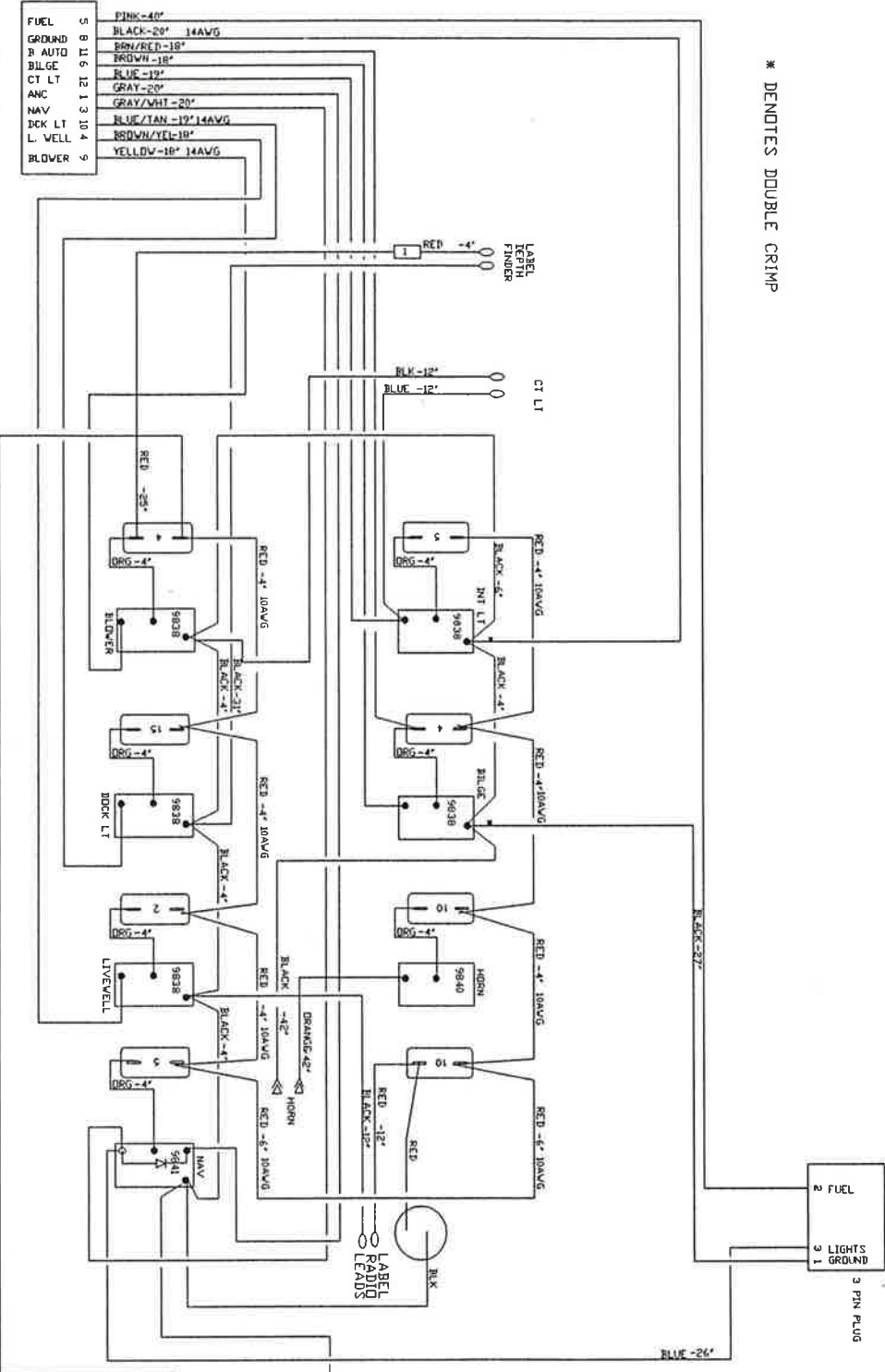


REV	DESCRIPTION	DATE	BY
1	REVISED		
2	REVISED		
3	REVISED		
4	REVISED		
5	REVISED		

UNIFORMITY ELECTRONICS		DATE: 11/15/95	
34411 SH		BY: [Signature]	
P.N. SV. O/B DMC MERC EST		REVISED: 11/15/95	
FD 196/206 226		SCALE: 1:1	
34411 SH		SHEET 1 OF 1	
10 NOT DOUBLE CRIMP 14AWG WIRES			

RECEIVED NOV 15 1995

* DENOTES DOUBLE CRIMP



NOTE: DO NOT DOUBLE CRIMP 10AVG WIRES

#4 STRIP

RED -30/10AVG

BLK -30/14AVG

UNIFORCE ELECTRONICS		PROJECT	
4000 VINTAGE BLDG. #8		UNIFORCE	
DATE: 11/15/95		DATE: 11/15/95	
BY: 34416		BY: 34416	
CHECKED: 34416		CHECKED: 34416	
APPROVALS:		APPROVALS:	
DATE: 11/15/95		DATE: 11/15/95	
PROJECT: PNL SV YAM YEMS		PROJECT: PNL SV YAM YEMS	
DRAWN: 34416		DRAWN: 34416	
SCALE: 1/1		SCALE: 1/1	
REV: 1		REV: 1	
REV: 2		REV: 2	
REV: 3		REV: 3	
REV: 4		REV: 4	
REV: 5		REV: 5	
REV: 6		REV: 6	
REV: 7		REV: 7	
REV: 8		REV: 8	
REV: 9		REV: 9	
REV: 10		REV: 10	
REV: 11		REV: 11	
REV: 12		REV: 12	
REV: 13		REV: 13	
REV: 14		REV: 14	
REV: 15		REV: 15	
REV: 16		REV: 16	
REV: 17		REV: 17	
REV: 18		REV: 18	
REV: 19		REV: 19	
REV: 20		REV: 20	

